

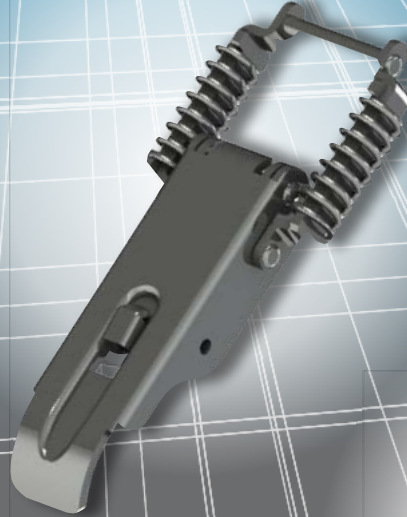
PRODUCT CATALOGUE



savigny



MULRANEY
COMPONENTS LTD
COMMITMENT QUALITY PRECISION



Specialist Manufacturer of Technical Fixing since 1946



savigny



Dear Customer

We are pleased to announce Mulraney Components Ltd (MCL) are the official distributor in the UK for Savigny SAS in France.

Savigny SAS are the largest manufacturer and specialist of toggle latches, hinges, and handles in France, and have chosen MCL to be their partner in UK.

MCL can draw on an extensive range of products that can be found within this catalogue.

Orders can be fulfilled within 7/10 working days, plus repeat and contract orders can be stocked at our premises in Brierley Hill, West Midlands for a 24/48 hour turn around.

We look forward to working with Savigny SAS and maintaining a successful partnership.

Peter Mulraney
Managing Director

Toggle Latches



- Rigid toggle latches A1
- Flexible toggle latches A2
- Spring loaded toggle latches A3
- Adjustable toggle latches A4
- Rotary toggle latches A5
- Back plates for toggle latches A6

Catch plates



- Catch plates B1
- Back plates for catch plates B2

Hinges



- Continuous hinges C1
- Cabinet hinges C2
- Square and round hinges C3
- Double leaves hinges C4
- Large cabinet hinges C5
- Spring loaded hinges C6
- Limited movement hinges C7
- Offset hinges C8
- Concealed hinges C9
- Lift off hinges C10
- Miscellaneous hinges C11
- Specific hinges C12
- Screw on hinges C13

Latches



- Complete latches D1
- Cam D2
- Slam locks D3
- Slide latches D4
- Swing handles D5
- Rods D6

Sealing Strips



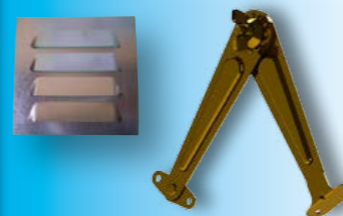
- Edge protector E1
- Sealing profiles E2

Handles



- Standard carrying handles F1
- Spring loaded handles F2
- Pull handles F3
- Recessed handles F4
- Back plates for handles F5

Crate accessories



- Slinging rings G1
- Angle brackets and Air vent G2
- Slinging angles G3
- Corner pieces G4
- Document holders G5
- Lid stays G6

Specific products



- Tools / Process E.S5
- Specific examples E.S10
- Conception examples E.S15



Definition of our technical terms « business »



The Toggle Latches : *Parts composed of a lever, a link, a base and a catch plate.*

- **Lever :** *Part which serves to maneuver (generally with a finger) the opening and the closure of toggle latch by movement around an axis.*
- **Link :** *Part that serves to make solidary the toggle latch assembly to close. This part can be spring in steel hardened or reinforced stainless steel. It must generate an effort which will be that of locking the assembly. Different possible solutions (flat, lacrosse, rod, etc.). It is rigid or flexible to allow a displacement by crushing of a seal.*
- **Base :** *Part that is made integral by screws, welding, riveting etc ..., fixed support of the assembly.*
- **Catch plate :** *Part which is solidary of the 2nd element assembly. It takes again the effort of the link. According to the use, the couple toggle latch and catch plate is inseparable. In some uses, the fixing is directly provided on the part to be closed.*



The Hinges : *Parts composed of a knuckle and 2 wings.*

- **Knuckle :** *Rolled part of the hinge whose dimensions define the pitch. The knot rolled includes the diameter of the axis plus 2 times the thickness of the minimum wings.*
- **Offset :** *Difference between the axis diameter of the knuckle and the support plane of the wings.*
- **Double leaves :** *Allows by rolling of two thicknesses of wings, to obtain knob rates weaker than classic solution.*
- **With stop :** *Keeps the opening of the hinge at a maximum of 90°.*
- **Sliding :** *Term used for hinges whose height is less than the width.*
- **Long :** *Inverse of «slide». Height greater than the width.*
- **Piano :** *Term used for hinges of great length and low section.*



The Handles : *Piece consisting of a simple handle or integral with a fixing plate.*

- **Automatic folding :** *Equipped with a spring which ensures the automatic reclosing of the handle.*
- **Back plate :** *Part used face of the handle and inside of the box to avoid efforts abnormal which would lead to tearing at the material level of the assembly.*
- **Friction :** *Allows the handle to stop in a frictional position on the board.*

savigny

Le Fabricant Spécialiste de la fixation technique



Our main finishes

- **Raw** : Material without any surface treatment. **Mandatory protection by the user** (painting).
- **Polishing** : Material rendered shiny either by mechanical effect (brushes, balls) or by electrolytic effect. **Does not increase the resistance to corrosion.**
- **Zinc** : Electrochemical deposition of zinc. Natural white zinc or zinc bichromated by finishing with a chromation. Held in normal non-tropical environment (temperate countries). **Does not resist acids or chlorides (seaside).**
- **Passivation** : Stabilization treatment of stainless steel by immersion in an acid bath. Improves its resistance to corrosion
- **Cataphoresis** : Electrochemical deposition of a curing paint by cataphoretic reaction. Good resistance to atmospheric agents. Very used in automobile. Allows protection inside parts.

NOTE : There are many surface treatments that can be adapted to specific conditions. (Dachromatisation, painting, powder etc.)



Our abbreviations

- **ZB** : yellow zinc plated
 - **ZI** : white zinc plated
 - **BR** : natural steel, rough material
 - **CH** : chromated plated steel
 - **IB** : stainless steel (304)
 - **IP** : polished stainless steel
 - **IA** : passivated stainless steel
 - **AL** : aluminium alloy (AU4G)
 - **A (ABR, AIB, AZB...)** : without hole, undrilled
 - **B (BBR, BZB...)** : counter side hole
 - **E, F (EZB, FZB, ...)** : other version in dimensions or lengths
-



Our main material

FIELD OF APPLICATION NF STANDARDS

- **Steel DCO1** - Cutting / stamping steel
 - **AL** : Aluminium - Type AU4G
 - **Stainless steel A2** equivalent 18/8 equivalent 304 or Z5 CND 18 / 10
-



Our tests and controls

- **BS** : Resistance to salt spray. In general 72h (resistance value given for red rust) other values on specifications - BS test bench.
- **White rust** : Decomposition of sacrificial zinc - Time control.
- **Red Rust** : Attack of the base material of the piece - Time control.
- **Traction tests** : Control of forces by traction bench.
- **Hardness testing** : durometer.
- **Dimensional checks** : Profile projector, digital calipers, digital trusquins, pins, thickness wedges.
- **Surface Protection Thickness Control** : Digital Induction Devices.



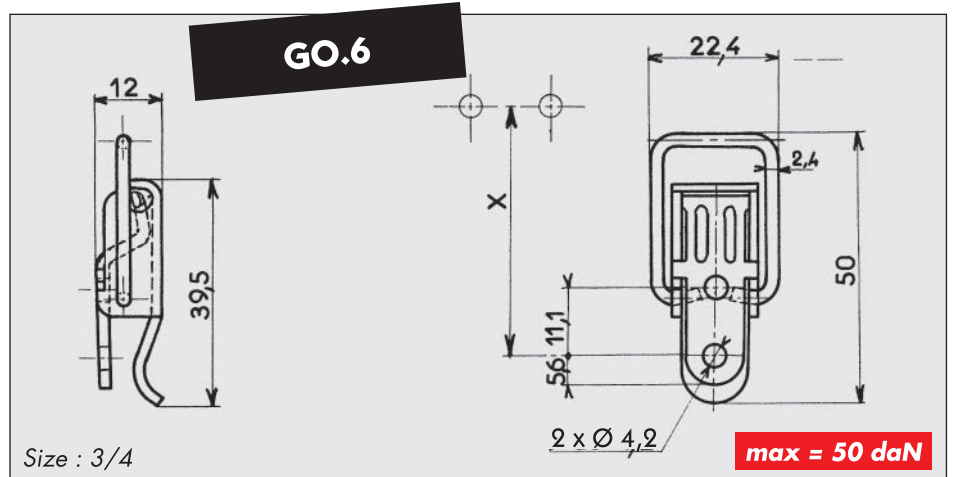
MULRANEY

COMPONENTS LTD

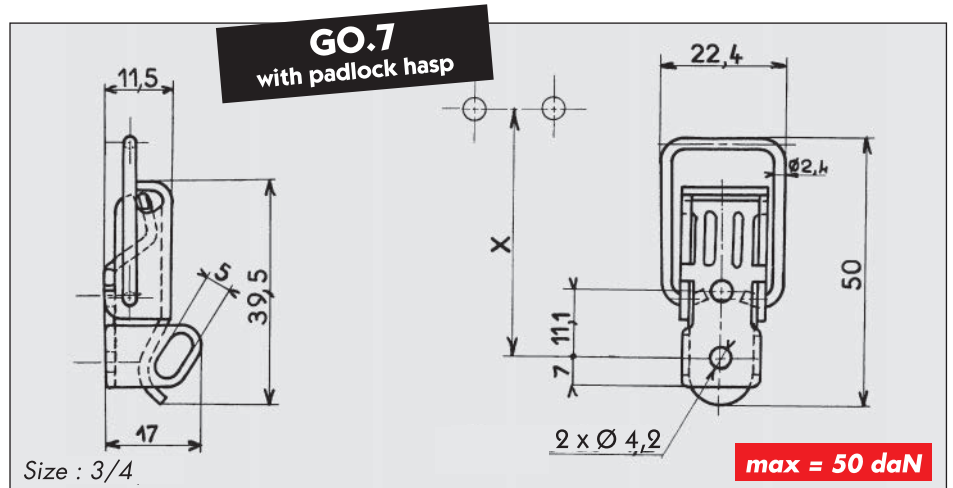
COMMITMENT QUALITY PRECISION



full size



full size



Description :

- Available with or without Padlock hasp facility. Simple inexpensive model.
- To improve performance the light alloy model has a zinc plated steel link. Suitable for screw fixing or welding.

Other information :

- Approximate fixing position to give approximate 25daN tension, using catch plate AC 103
- x = 45.5 mm
- Recommended Catch Plate : Type AC 103

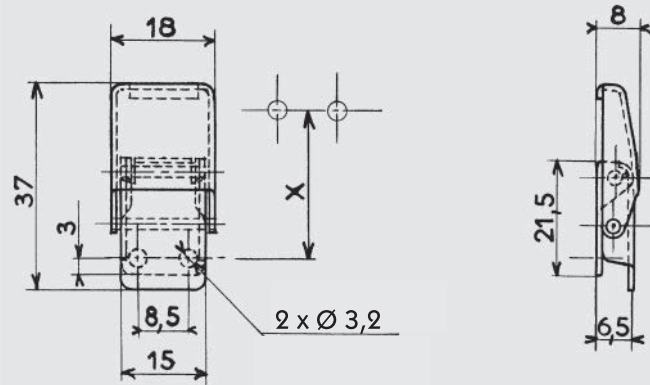
- Lever : Metal Thickness 1.5 mm
- Base : Metal Thickness type GO 6 2.0 mm
Metal Thickness type GO 7 1.5 mm

MATERIAL	FINISH	FIXING	kg/100	REFERENCES	kg/100	REFERENCES
Steel	raw	with holes	2,000	GO.6-BR*	2,150	GO.7-BR*
Steel	raw	without holes	2,040	GO.6ABR	2,180	GO.7ABR
Steel	raw	with brushing of weld	2,040	GO.6UBR*	2,180	GO.7UBR*
Steel	white zinc plated	with holes	2,000	GO.6-ZI	2,150	GO.7-ZI
Steel	yellow zinc plated	with holes	2,000	GO.6-ZB*	2,150	GO.7-ZB*
Steel	chromium-plating	with holes	2,000	GO.6-CH*	2,150	GO.7-CH*
Light alloy	raw	with holes	0,850	GO.6-AL	0,950	GO.7-AL
Stainless steel A2	raw	with holes	2,000	GO.6-IB	2,150	GO.7-IB
Stainless steel A2	raw	with holes	2,000	GO.6-AIB	2,150	GO.7-AIB



full size

GO.17



Size : 3/4

max = 50 daN

Description :

- Miniaturized model, totally enclosed. Aesthetically pleasing design.
- Suitable for screw fixing or welding.

Other information :

- Approximate fixing position to give approximate 30daN tension, using catch plate AC 119
- $x = 26.6$ mm
- Recommended Catch Plate : Type AC 119

- Lever : Metal Thickness 0.8 mm
- Base : Metal Thickness type 1.0 mm
- Link : Metal Thickness type 1.0 mm

MATERIAL	FINISH	FIXING	kg/100	REFERENCES
Steel	raw	with holes	1,200	GO.17-BR*
Steel	raw	without holes	1,210	GO.17ABR
Steel	white zinc plated	with holes	1,200	GO.17-ZI
Steel	yellow zinc plated	with holes	1,200	GO.17-ZB*
St. steel A2	raw	with holes	1,200	GO.17-IB
St. steel A2	raw	without holes	1,210	GO.17AIB*
St. steel A2	polishing	with holes	1,200	GO.17-IP

GO.24



full size

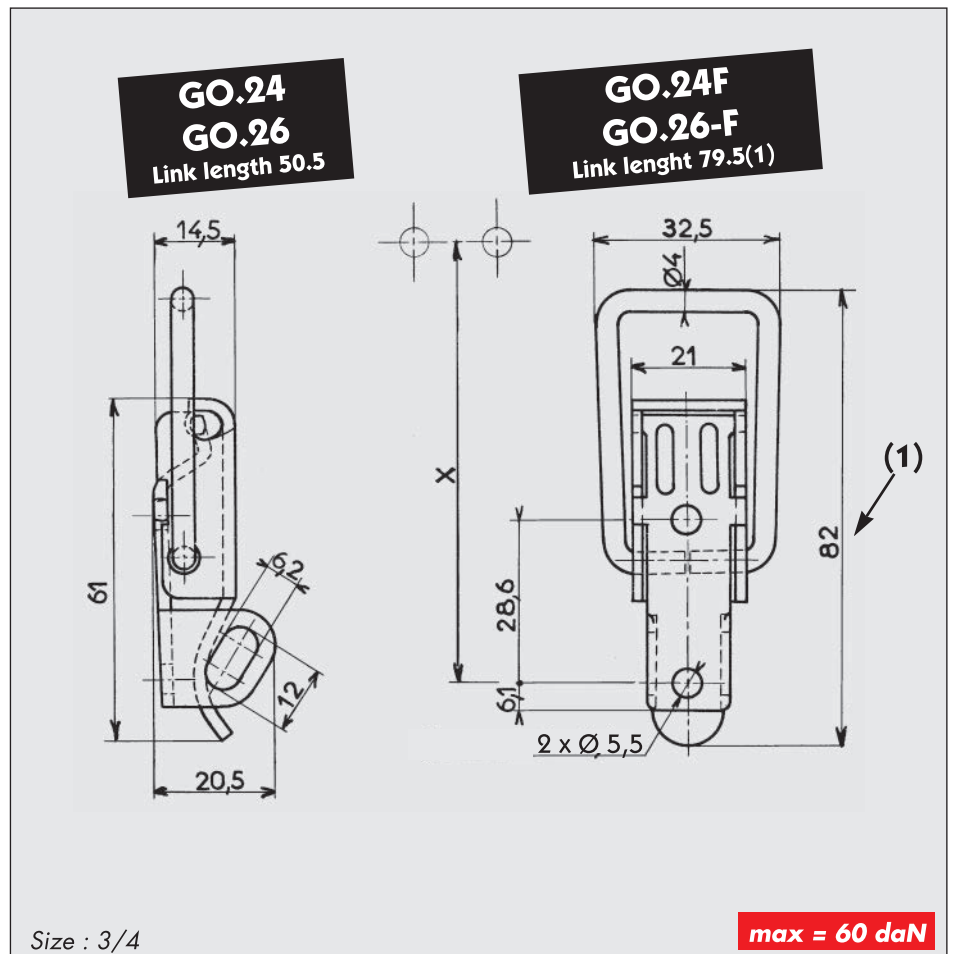
GO.26



full size

Description :

- Available with or without Padlock hasp facility. Larger version of type GO6 / GO7.
- Simple inexpensive model.
- To improve performance the light alloy model has a zinc plated steel link. Suitable for screw fixing.



Size : 3/4

max = 60 daN

Other information :

- Approximate fixing position to give approximate 30daN tension, using catch plate AC 121 or AC 123:
- $x = 78.7$ mm
- Recommended Catch Plate : Type AC 121 or AC 123
- Lever : Metal Thickness 2.0 mm
- Base : Metal Thickness type GO 26 2.5 mm
Metal Thickness type GO 24 2.0 mm
- Link : 4.0 mm diameter wire

MATERIAL	FINISH	FIXING	kg/100	REFERENCES	kg/100	REFERENCES
Steel	raw	with holes	5,900	GO.24-BR*	5,550	GO.26-BR*
Steel	raw	without holes	5,960	GO.24A-BR	5,630	GO.26ABR
Steel	raw	with brushing of weld	5,960	GO.24UBR*	5,630	GO.26UBR*
Steel	white zinc plated	with holes	5,900	GO.24-ZI	5,550	GO.26-ZI
Steel	yellow zinc plated	with holes	5,900	GO.24-ZB*	5,550	GO.26-ZB*
Light alloy	raw	with holes	2,860	GO.24-AL	2,800	GO.26-AL
St. steel A2	raw	with holes	5,900	GO.24-IB	5,550	GO.26-IB
St. steel A2	raw	without hole	5,960	GO.24AIB*	5,630	GO.26AIB*
Steel	white zinc plated	with holes	6,490	GO.24-FZI*	6,140	GO.26-FZI*

GO.32



full size

GO.2032



full size

GO.32
without padlock hasp

GO.79
with padlock hasp (1)

GO.79E
with padlock hasp (2)

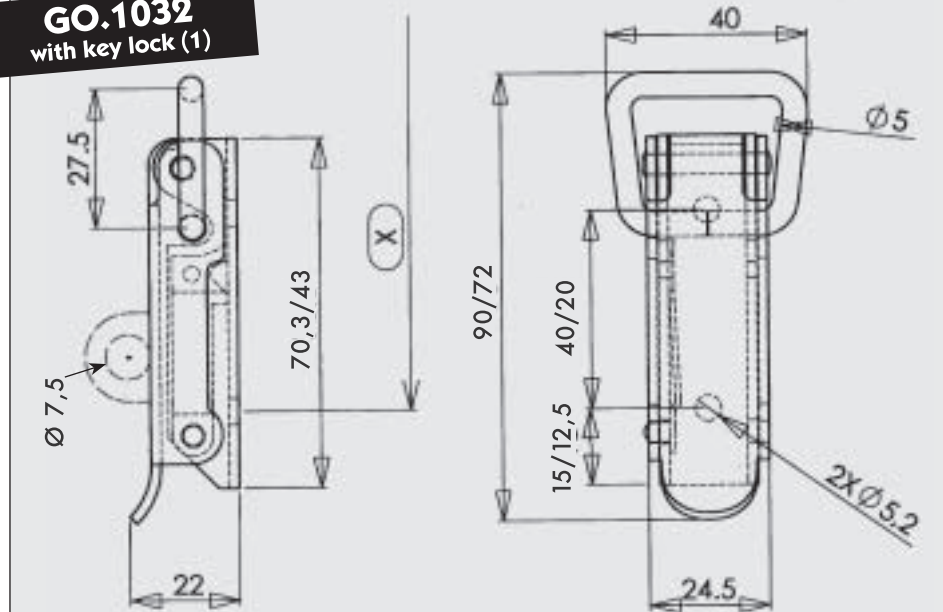
GO.1032
with key lock (1)

Large size

small size

GO.2032
without padlock hasp

GO.2079
with padlock hasp



Size : 2/3

max = 250 daN

Description :

- Welded link gives great strength. (not welded on GO 32 VZI)
- Supplied with or without spring safety lock (bumped locking system on GO 32 VZI)- particularly suitable for equipment liable to vibration.
- Supplied with or without padlock hasp.
- Possibility of sealing.
- Suitable for screw fixing or welding.
- Spring safety lock requires positive action to release latch.
- A key lockable version is available - please ask for details of type GO 1032.

Other information :

- Approximate fixing position to give 150 daN tension, using catch plate AC 157
- x = 94 mm
- Recommended Catch Plates: Type AC 156 of AC 157
- Lever : Metal Thickness 2.0 mm
- Base : Metal Thickness type 2.0 mm
- Link : 5 mm diameter wire, welded.

MATERIAL	FINISH	FIXING	kg/100	REFERENCES	kg/100	REFERENCES	kg/100	REFERENCES	kg/100	REFERENCES	kg/100	REFERENCES	kg/100	REFERENCES
Steel	raw	with holes	10,300	GO.32-BR	10,650	GO.79-BR*	10,900	GO.79-EBR*	14,900	GO.1032-BR*	7,800	GO.2032-BR*	7,900	GO.2079-BR*
Steel	raw	without holes	10,370	GO.32-ABR*	10,720	GO.79-ABR*	10,970	GO.79-FBR*	14,970	GO.1032-ABR*				
Steel	white zinc plated	with holes	10,300	GO.32-ZI	10,650	GO.79-ZI	10,900	GO.79-EZI	14,900	GO.1032-ZI*	7,800	GO.2032-ZI	7,900	GO.2079-ZI*
Steel	Yellow zinc plated	with holes	10,300	GO.32-ZB*	10,650	GO.79-ZB*	10,900	GO.79-EZB*	14,900	GO.1032-ZB*	7,800	GO.2032-ZB*	7,900	GO.2079-ZB*
St. steel A	raw	with holes	10,900	GO.32-IB	11,000	GO.79-IB	10,900	GO.79-EIB	14,900	GO.1032-IB*	8,000	GO.2032-IB	8,100	GO.2079-IB*

(1) without safety spring inside lever
(2) with safety spring inside lever

GO.33

GO.80



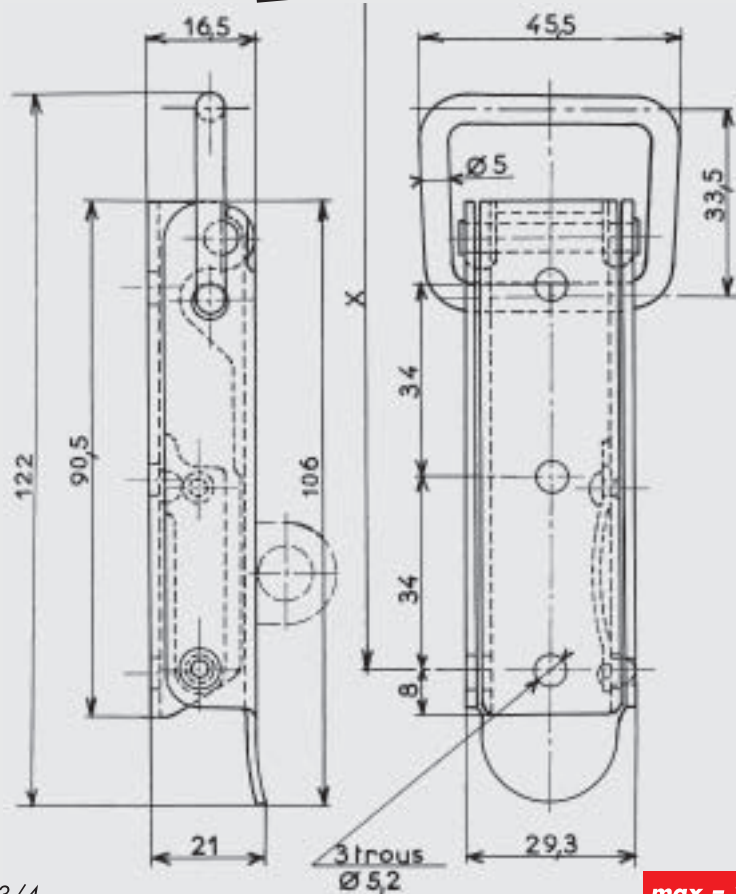
full size

GO.33
without padlock hasp

GO.80
with padlock hasp (1)

GO.1033
with key lock (1)

GO.80E
with padlock hasp (2)



Size : 3/4

max = 300 daN

Description :

- Welded link gives great strength.
- Supplied with or without spring safety lock - particularly suitable for equipment subject to vibration.
- Possibility of sealing.
- Supplied with or without padlock hasp.
- Suitable for screw fixing. Spring safety lock requires positive action to release latch.

Other information :

- Approximate fixing position to give 200 daN tension, using catch plate AC 155
- x = 131.5 mm
- Recommended Catch Plate : Type AC 154 or AC 155
- Lever : Metal Thickness 2.0 mm
- Base : Metal Thickness type 2.0 mm
- Link : 5 mm diameter wire, welded

MATERIAL	FINISH	FIXING	kg/100	REFERENCES	kg/100	REFERENCES	kg/100	REFERENCES	kg/100	REFERENCES
Steel	raw	with holes	16,100	GO.33-BR	16,450	GO.80-BR*	16,700	GO.80-EBR*	21,600	GO.1033-BR*
Steel	white zinc plated	with holes	16,100	GO.33-ZI	16,450	GO.80-ZI	16,700	GO.80-EZI*	21,600	GO.1033-ZI*
Steel	yellow zinc plated	with holes	16,100	GO.33-ZB*	16,450	GO.80-ZB*	16,700	GO.80-EZB*	21,600	GO.1033-ZB*
St. steel A2	raw	with holes	16,100	GO.33-IB	16,450	GO.80-IB	16,700	GO.80-EIB*	21,600	GO.1033-IB*

(1) without safety spring inside lever
(2) with safety spring inside lever

GO.34



full size

GO.2034



full size

Large size

GO.34
without padlock hasp

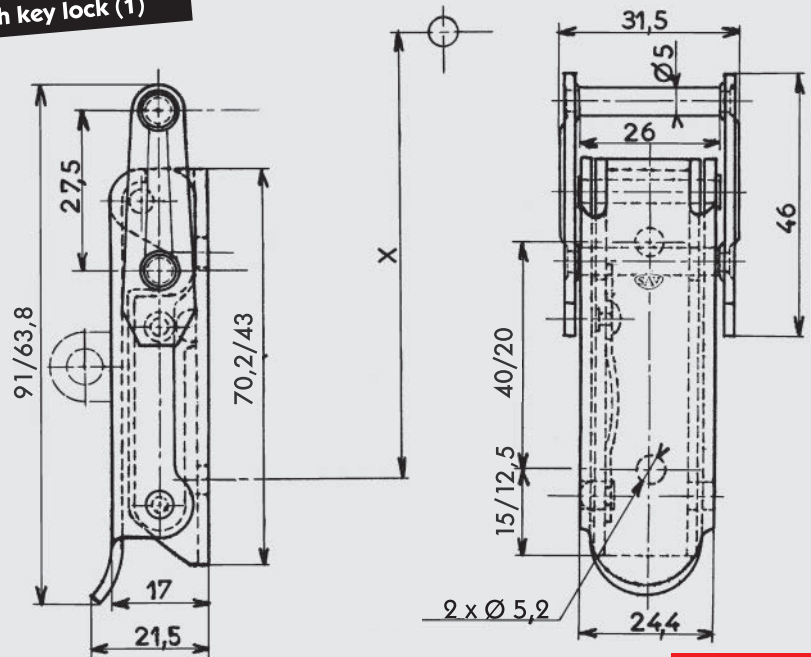
GO.73
with padlock hasp (1)

GO.1034
with key lock (1)

Small size

GO.2034
without padlock hasp

GO.2073
with padlock hasp (1)



Size : 3/4

max = 250 daN

Description :

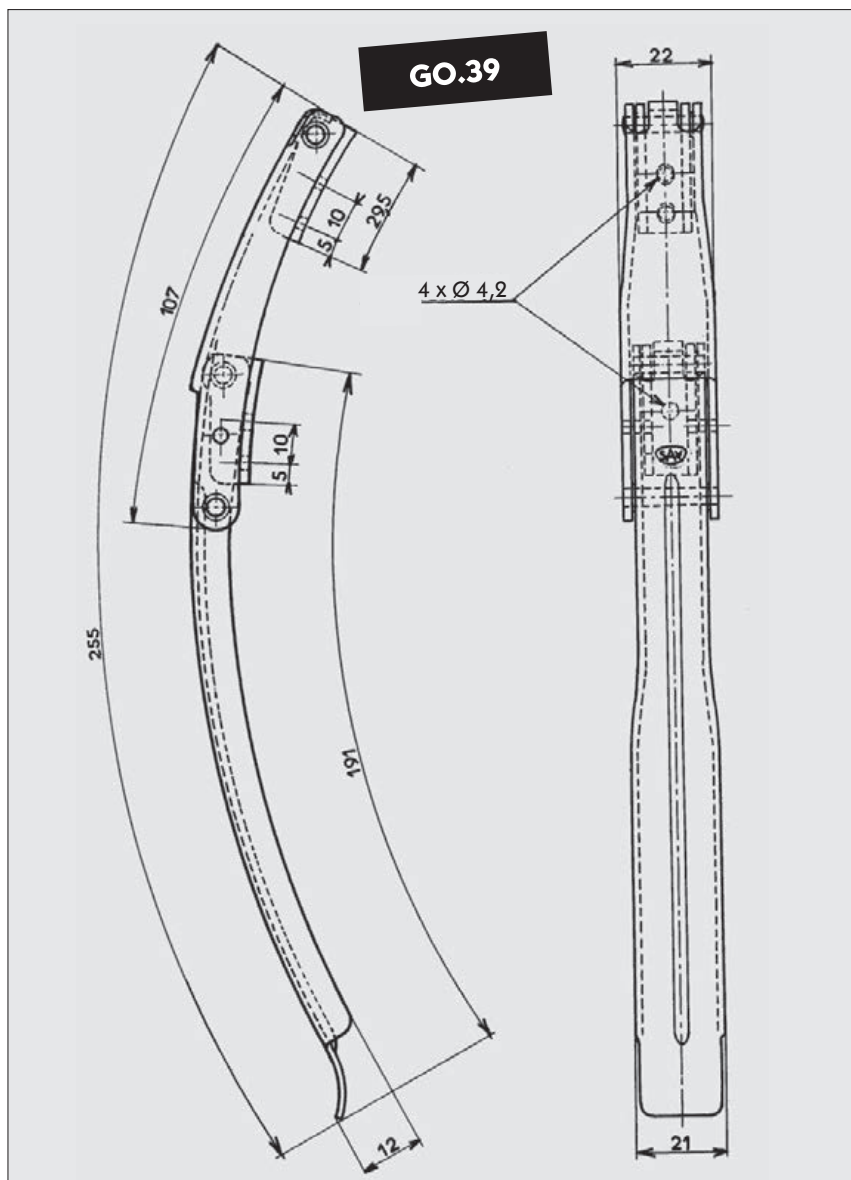
- Riveted link gives great strength.
- Supplied with or without spring safety lock - particularly suitable for equipment liable to vibration.
- Supplied with or without padlock hasp.
- Possibility of sealing.
- Suitable for screw fixing or welding. Spring safety lock requires positive action to release latch.
- A key lockable version is available - please ask for details of type GO 1032

Other information :

- Approximate fixing position to give 150 daN tension, using catch plate AC 157
- $x = 94 \text{ mm}$
- Recommended Catch Plates : Type AC 156 of AC 157
- Lever : Metal Thickness 2.0 mm
- Base : Metal Thickness type 2.0 mm
- Link : 5 mm diameter wire, welded

MATERIAL	FINISH	FIXING	kg/100	REFERENCES	kg/100	REFERENCES	kg/100	REFERENCES	kg/100	REFERENCES	kg/100	REFERENCES
Steel	raw	with holes	11,500	GO.34-BR*	11,700	GO.73-BR*	13,200	GO.1034-BR*	8,400	GO.2034-BR*	8,500	GO.2073-BR*
Steel	white zinc plated	with holes	11,500	GO.34-ZI	11,700	GO.73-ZI	13,200	GO.1034-ZI	8,400	GO.2034-ZI	8,500	GO.2073-ZI
Steel	yellow zinc plated	with holes	11,500	GO.34-ZB*	11,700	GO.73-ZB*	13,200	GO.1034-ZB*	8,400	GO.2034-ZB*	8,500	GO.2073-ZB*
St. steel A2	raw	with holes	11,500	GO.34-IB	11,700	GO.73-IB	13,200	GO.1034-IB*	8,400	GO.2034-IB	8,500	GO.2073-IB*

(1) without safety spring inside lever



Other information :

- maximum opening range 60 mm.

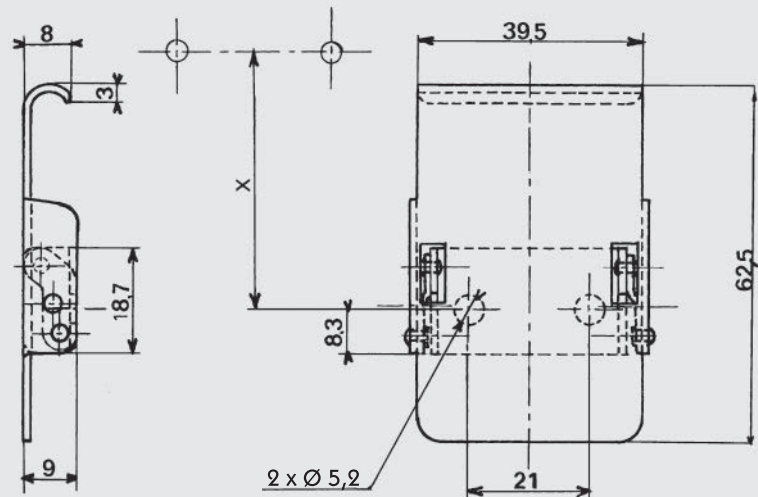
MATERIAL	FINISH	FIXING	kg/100	REFERENCES
Steel	white zinc plated	with holes	15,500	GO.39-AZI*
Steel	white zinc plated	without holes	15,420	GO.39-ZI*
St. steel A2	raw	with holes	15,500	GO.39-AIB*
St. steel A2	raw	without hole	15,420	GO.39-IB*

* References only produced on order



full size

GO.56



Size : 3/4

max = 50 daN

Description :

- Single Piece Construction of lever/link presents a very neat appearance.
- Ideal for applications where a very flat latch is required.
- Can be utilised for gripping in groove without the use of a catch plate.
- Suitable for screw fixing or welding.

Other information :

- Approximate fixing position to give approximate 30 daN tension, using catch plate AC 171
- $x = 42.7\text{mm}$
- Recommended Catch Plate : Type AC 171
- Lever : Metal Thickness 2.0 mm
- Base : Metal Thickness type 2.0 mm

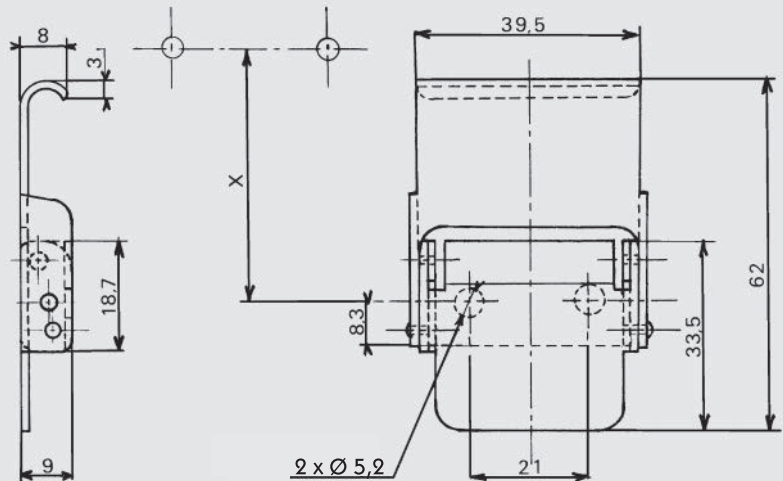
MATERIAL	FINISH	FIXING	kg/100	REFERENCES
Steel	white zinc plated	with holes	3,800	GO.56-ZI
Steel	yellow zinc plated	with holes	3,800	GO.56-ZB*
St. steel A2	raw	with holes	3,800	GO.56-IB

* References only produced on order



full size

GO.1056



Size : 3/4

max = 50 daN

Description :

- Very neat aesthetically pleasing design.
- Ideal for applications where a very flat latch is required.
- Can be utilised for gripping in groove without the use of a catch plate.
- Suitable for screw fixing or welding.

Other information :

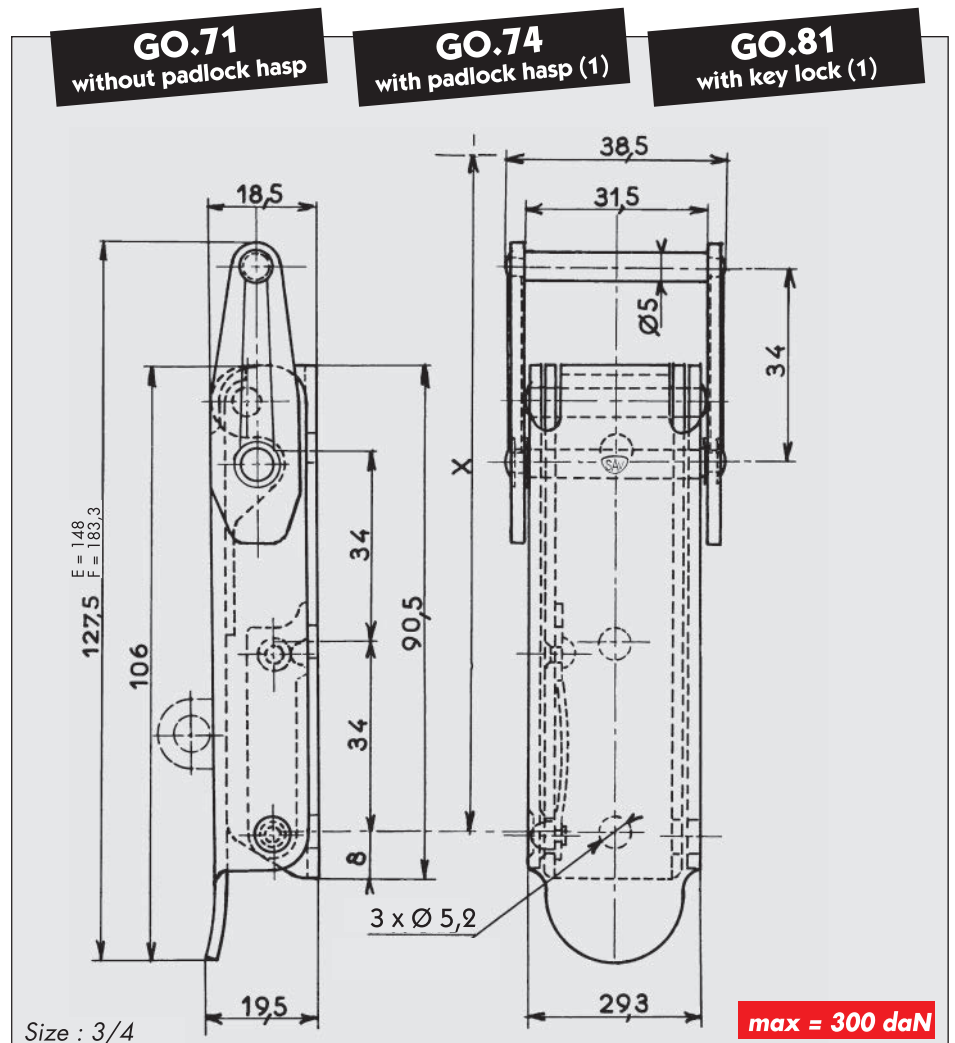
- Approximate fixing position to give approximate 30 daN tension, using catch plate AC 171
- Dim x = 42.7 mm
- Recommended Catch Plate : Type AC 171
- Lever : Metal Thickness 2.0 mm
- Base : Metal Thickness type 2.0 mm
- Link : Metal thickness 2.0 mm

MATERIAL	FINISH	FIXING	kg/100	REFERENCES
Steel	white zinc plated	with holes	3,800	GO.1056-ZI
Steel	yellow zinc plated	with holes	3,800	GO.1056-ZB*
St. steel A2	raw	with holes	3,800	GO.1056-IB

* References only produced on order



full size



Description :

- Extremely strong and robust.
- Supplied with a spring safety lock or padlock hasp.
- Possibility of sealing.
- Assembly rivets stainless steel in all cases.
- Spring safety lock requires positive action to release latch.
- The GO 74 type is supplied without spring safety lock.

Other information :

- Approximate fixing position to give 200 daN tension, using catch plate AC 143.
- $x = 117.9$ mm
- Recommended Catch Plate : Type AC 143, AC 154 or AC 155
- Lever : Metal Thickness 2.0 mm
- Base : Metal Thickness type 2.0 mm
- Links (2) : Metal thickness 2.5 mm.

MATERIAL	FINISH	FIXING	kg/100	REFERENCES	kg/100	REFERENCES	kg/100	REFERENCES
Steel	raw	with holes	19,400	GO.71-BR*	19,100	GO.74-BR*	21,600	GO.81-BR*
Steel	white zinc plated	with holes	19,400	GO.71-ZI	19,100	GO.74-ZI	21,600	GO.81-ZI
Steel	yellow zinc plated	with holes	19,400	GO.71-ZB*	19,100	GO.74-ZB*	21,600	GO.81-ZB*
St. steel A2	raw	with holes	19,400	GO.71-IB	19,100	GO.74-IB	21,600	GO.81-IB*

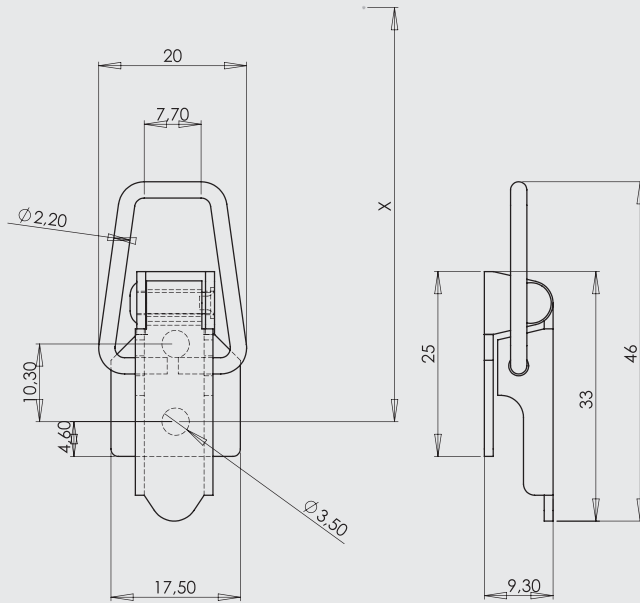
(1) without safety spring inside lever

* References only produced on order



full size

GO.533



Size : 1/1

max = 50 daN

Description :

- Simple inexpensive model.

Other information :

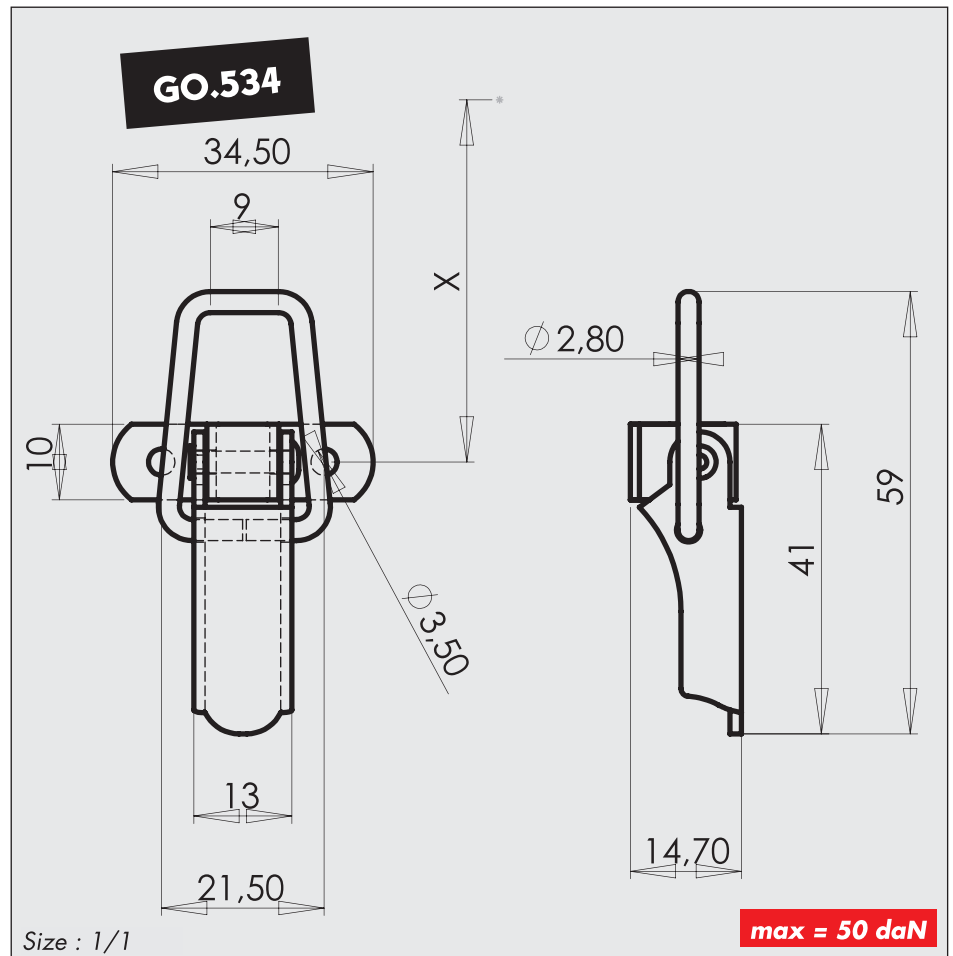
- Approximate fixing position to give 25 daN tension, using catch plate AC 235
- $x = 33$ mm
- Recommended catch plate : Type AC 235
- Lever : Metal thickness 1.2 mm
- Base : Metal thickness 1.2 mm
- Link : 2.2 mm diameter wire

MATERIAL	FINISH	FIXING	kg/100	REFERENCES
Steel	white zinc plated	with holes	1,000	GO.533-ZI
Steel	yellow zinc plated	with holes	1,000	GO.533-ZB*
St. steel A2	raw	with holes	1,000	GO.533-IB

* References only produced on order



full size



Description :

- Simple inexpensive model with narrow base plate.
- Types without holes available for welding

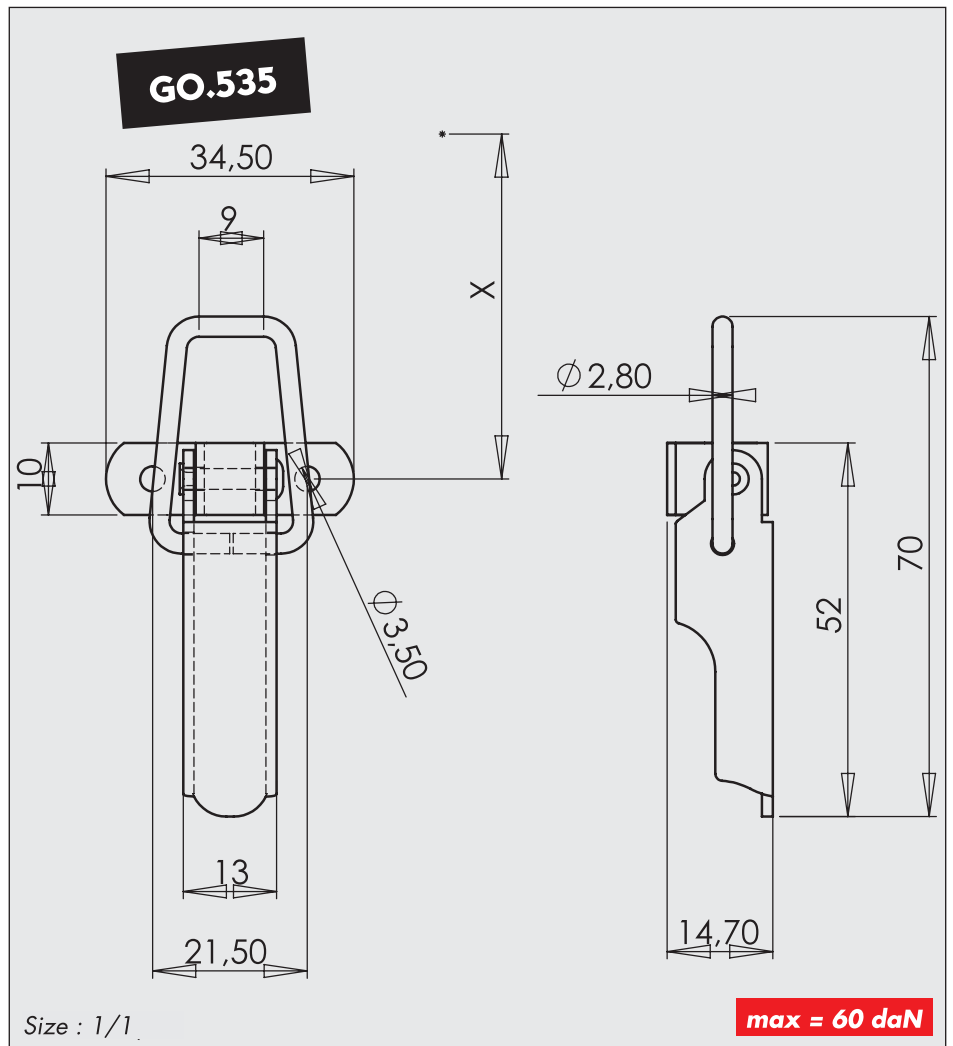
Other information :

- Approximate fixing position to give 30 daN tension, using catch plate AC 236
- $x = 33$ mm
- Recommended catch plate : AC 236
- Lever : Material thickness 1.5 mm
- Base : Material thickness 1.2 mm
- Link : 2.8 mm dia wire for steel latches
2.5 mm for stainless latch

MATERIAL	FINISH	FIXING	kg/100	REFERENCES
Steel	white zinc plated	with holes	1,800	GO.534-ZI
Steel	yellow zinc plated	with holes	1,800	GO.534-ZB*
St. steel A2	raw	with holes	1,800	GO.534-IB



full size



Description :

- Simple inexpensive model with narrow base plate.
- Types available without holes for welding.

Other information :

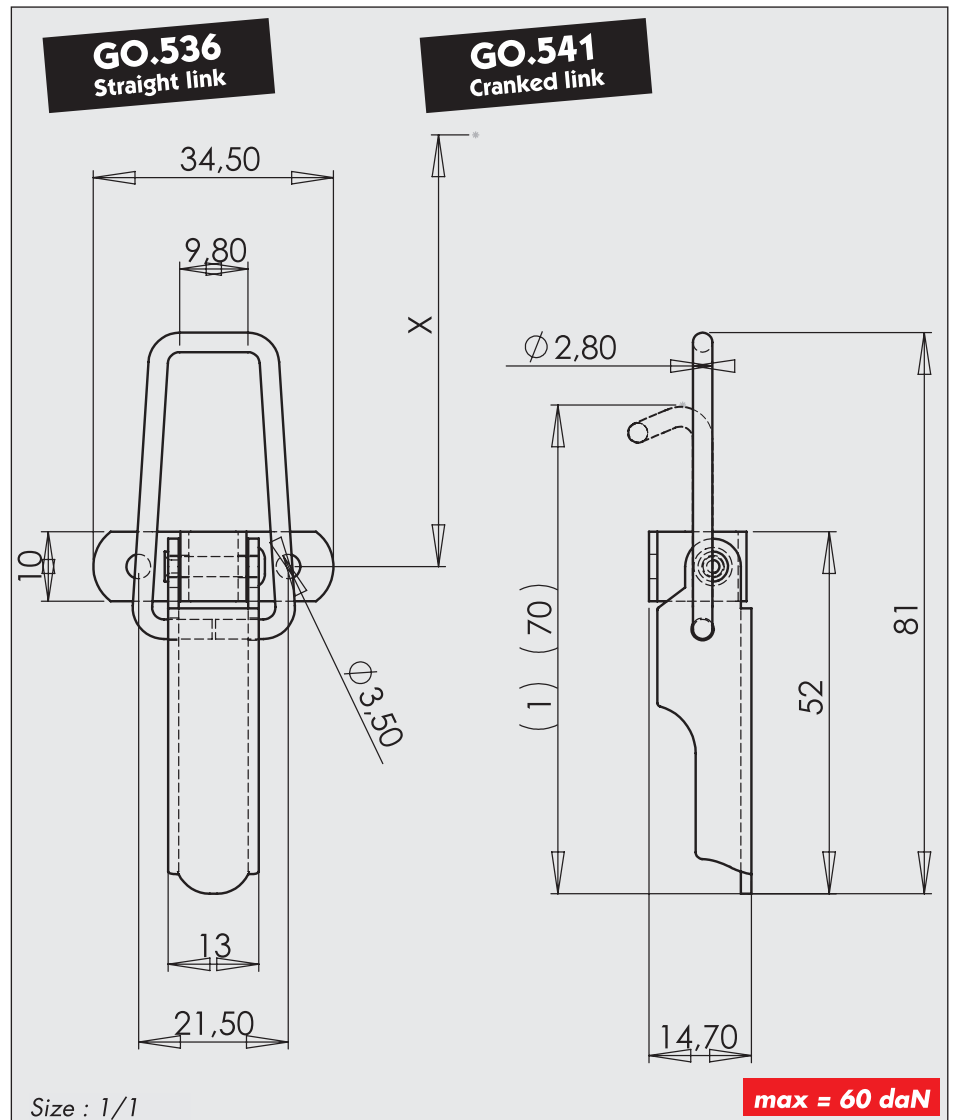
- Approximate fixing position to give 30 daN tension, using catch plate AC 236
- $x = 33$ mm
- Recommended catch plate : AC 236
- Lever : Metal thickness 1.5 mm
- Base : Metal thickness 1.2 mm
- Link : 2.8 mm dia wire for steel latches
2.5 mm for stainless latch

MATERIAL	FINISH	FIXING	kg/100	REFERENCES
Steel	white zinc plated	with holes	2,300	GO.535-ZI
Steel	yellow zinc plated	with holes	2,300	GO.535-ZB*
St. steel A2	raw	with holes	2,300	GO.535-IB

* References only produced on order



full size



Description :

- Type 536 with straight link.
- Type 541 with hook link.
- Simple inexpensive models with narrow base plate.
- Types available without holes for welding.

Other information :

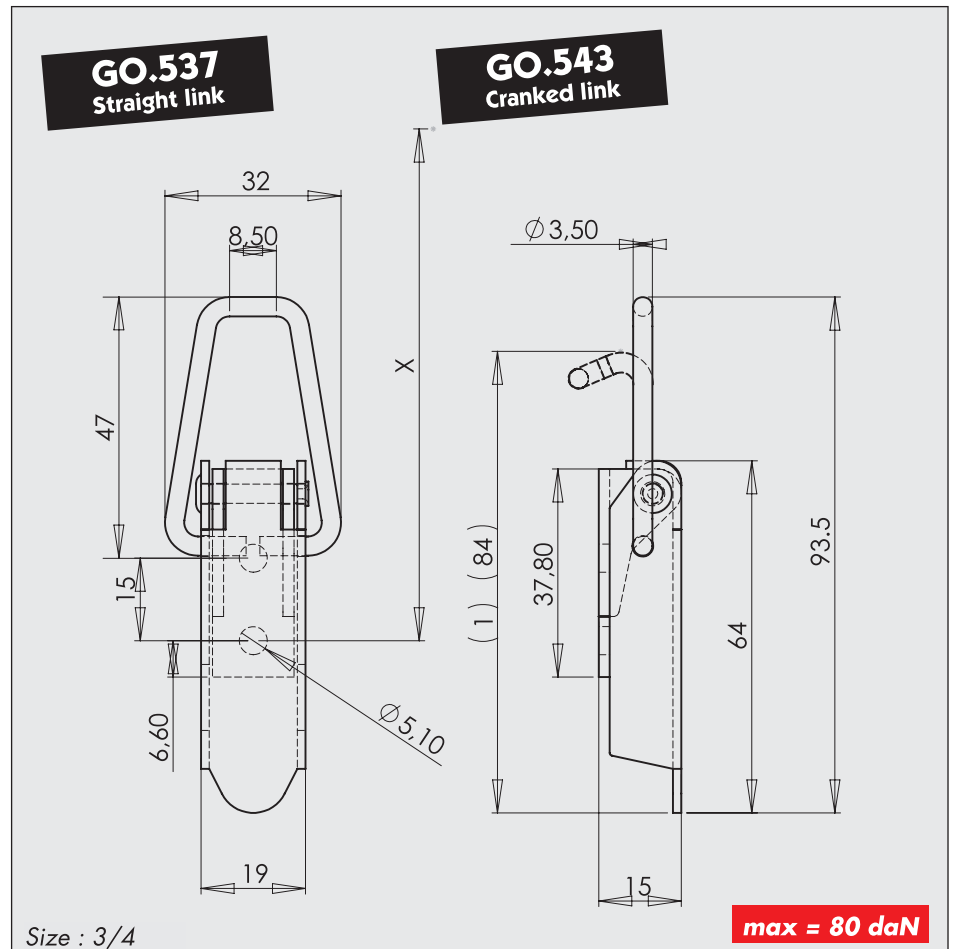
- Approximate fixing position to give 30 daN tension using catch plate AC 236
- $x = 34$ mm
- Recommended catch plate : AC 236
- Lever : Metal thickness 1.5 mm
- Base : Metal thickness 1.2 mm
- Link : 2.8 mm dia. wire for steel latches
2.5mm for stainless latch

MATERIAL	FINISH	FIXING	kg/100	REFERENCES	kg/100	REFERENCES
Steel	white zinc plated	with holes	2,400	GO.536-ZI	2,400	GO.541-ZI
Steel	yellow zinc plated	with holes	2,400	GO.536-ZB*	2,400	GO.541-ZB*
St. steel A2	raw	with holes	2,400	GO.536-IB	2,400	GO.541-IB*

* References only produced on order



full size



Description :

- Simple inexpensive latch.
- A version with a hook link is available, type GO 543.

Other information :

- Approximate fixing position to give 340 daN tension, using catch plate AC 239
- $x = 59.5$ mm
- Recommended catch plate : AC 239
- Lever : Material thickness 1.5 mm
- Base : Material thickness 2.0 mm
- Link : 3.5 mm dia. wire

MATERIAL	FINISH	FIXING	kg/100	REFERENCES	kg/100	REFERENCES
Steel	white zinc plated	with holes	4,600	GO.537-ZI	4,600	GO.543-ZI
Steel	yellow zinc plated	with holes	4,600	GO.537-ZB*	4,600	GO.543-ZB*
St. steel A2	raw	with holes	4,600	GO.537-IB	4,600	GO.543-IB*

* References only produced on order

GO.560

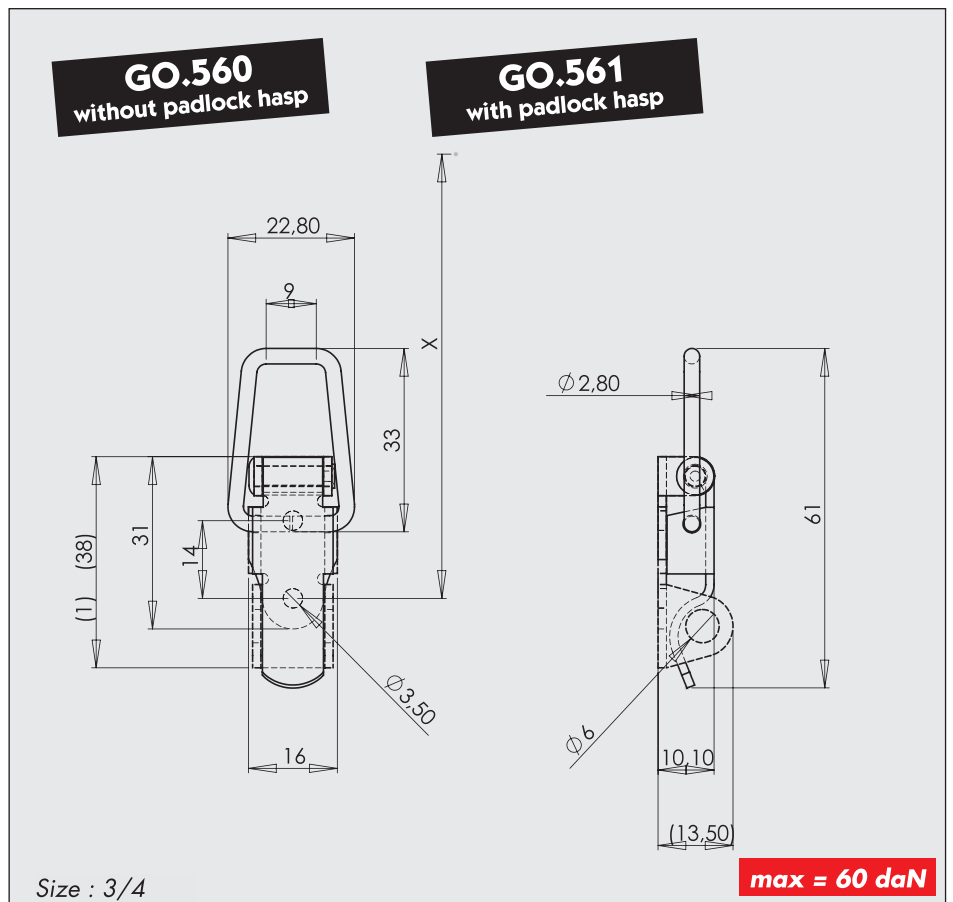


full size

GO.561



full size



Description :

- Simple latch - supplied with or without padlock hasp

Other information :

- Approximate fixing position to give 30 daN tension using catch plate AC 236
- $x = 49.6$ mm
- Recommended catch plate : AC 236
- Lever : Material thickness 1.5 mm
- Base : Material thickness 1.5 mm
- Link : 2.8 mm dia. wire. For steel versions, 2.5 mm dia wire for stainless.

MATERIAL	FINISH	FIXING	kg/100	REFERENCES	kg/100	REFERENCES
Steel	white zinc plated	with holes	2,000	GO.560-ZI	2,300	GO.561-ZI
Steel	yellow zinc plated	with holes	2,000	GO.560-ZB*	2,300	GO.561-ZB*
St. steel A2	raw	with holes	2,000	GO.560-IB	2,300	GO.561-IB

* References only produced on order

GO.562

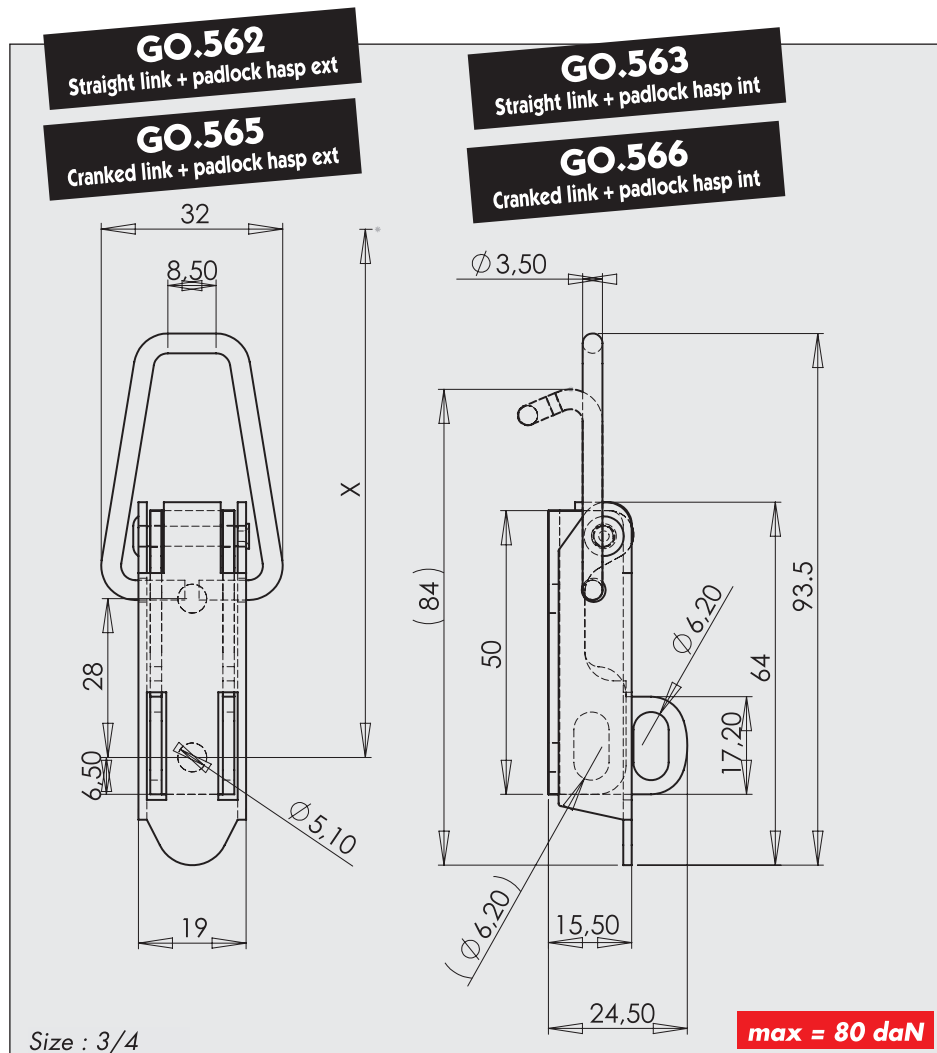


full size

GO.563



full size



Description :

- Versions with straight or hook links and with internal slots for a padlock hasp or external padlock hasp.
- Types available without holes for welding.

Other information :

- approximate fixing position for straight link versions to give 40 daN tension, using catch plate AC 239 : x = 72.5 mm
- Recommended catch plate : AC 239
- Lever : Metal thickness 1.5 mm
- Base : Metal thickness 2 mm
- Link : 3.5 mm dia. wire
- Internal slots accept a 6.2 mm dia padlock hasp ring

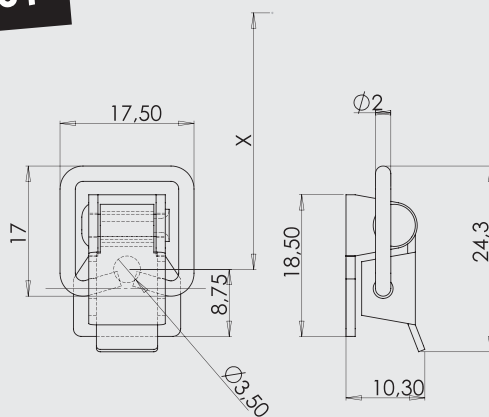
MATERIAL	FINISH	FIXING	kg/100	REFERENCES			
Steel	white zinc plated	with holes	6,200	GO.562-ZI	GO.563-ZI	GO.565-ZI	GO.566-ZI
Steel	yellow zinc plated	with holes	6,200	GO.562-ZB*	GO.563-ZB*	GO.565-ZB*	GO.566-ZB*
St. steel A2	raw	with holes	6,200	GO.562-IB	GO.563-IB	GO.565-IB*	GO.566-IB*

* References only produced on order



full size

GO.564



Size : 1/1

max = 50 daN

Description :

- Miniature latch with one fixing holes.

Other information :

- Approximate fixing position to give 20 daN tension using catch plate AC 235
- $x = 17,0$ mm
- Recommended catch plate : AC 235
- Lever : Material thickness 1.2 mm
- Base : Material thickness 1.2 mm
- Link : 2.0 mm dia. wire

MATERIAL	FINISH	FIXING	kg/100	REFERENCES
Steel	white zinc plated	with holes	0,800	GO.564-ZI
Steel	yellow zinc plated	with holes	0,800	GO.564-ZB*
St. steel A2	raw	with holes	0,800	GO.564-IB

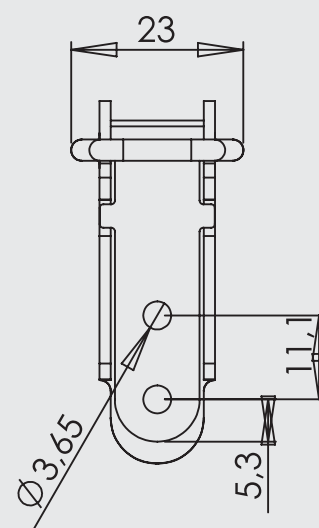
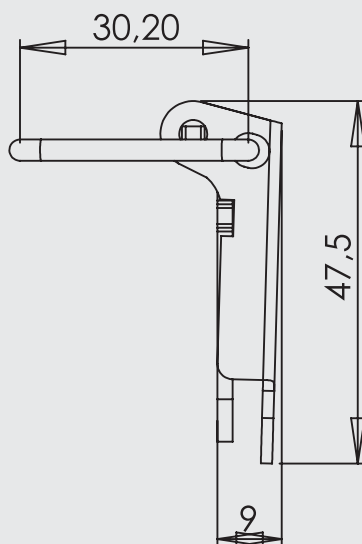
* References only produced on order

Right angle small size toggle latch



full size

GO.1015



Size : 1/1

max = 50 daN

Description :

- Right angle models.

Other information :

- Approximate fixing position to give 30 daN tension, using catch plate AC 236
- $x = 40.8\text{mm}$
- Recommended catch plate : AC 236
- Lever : Material thickness 1.5 mm
- Base : Material thickness 2.0 mm
- Link : 2.8 mm dia. wire

MATERIAL	FINISH	FIXING	kg/100	REFERENCES
Steel	raw	with holes	2,200	GO 1015-BR*
Steel	white zinc plated	with holes	2,200	GO 1015-ZI
Steel	yellow zinc plated	with holes	2,200	GO 1015-ZB*
St. steel A2	raw	with holes	2,200	GO 1015-IB

* References only produced on order

Right angle large size toggle latch

GO.3029

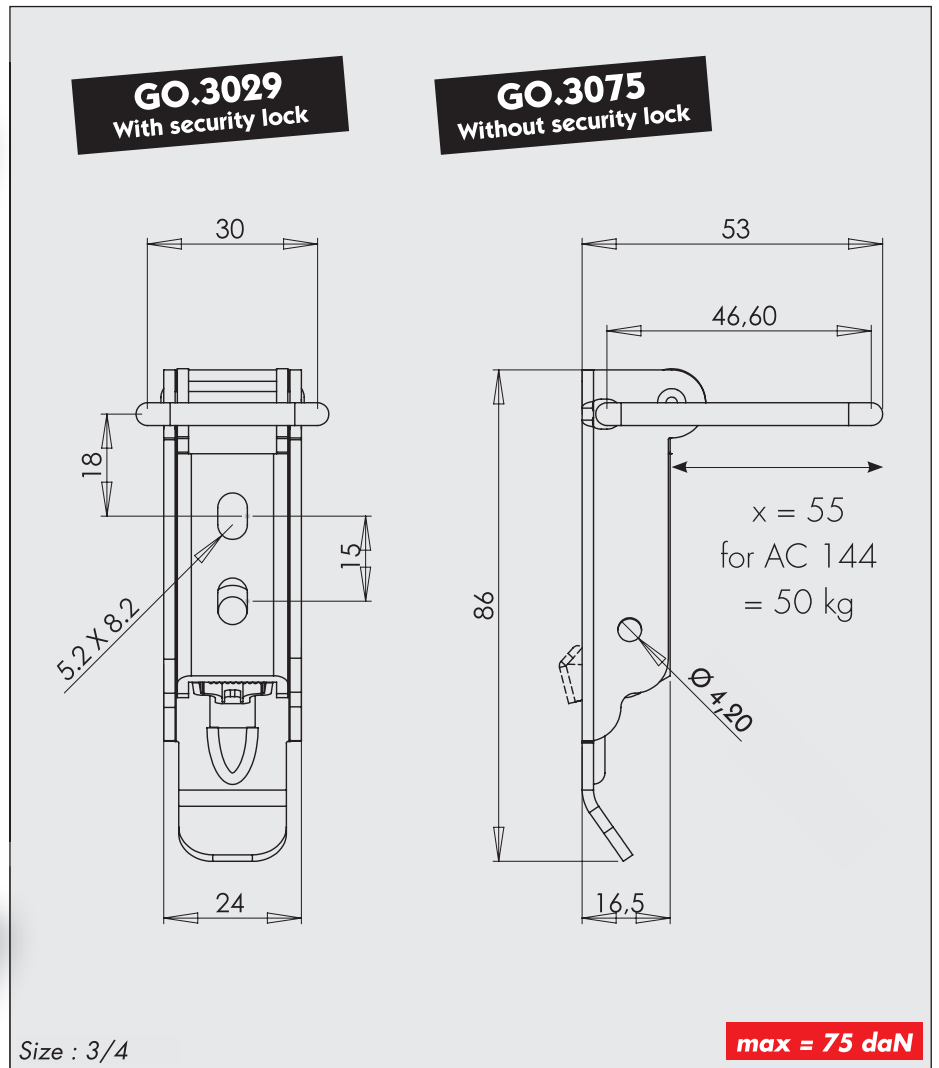


full size

GO.3075



full size



Description :

- Use on 2 perpendicular plans.
- Type with manual safety lock.
- Possibility of sealing.

Other information :

- Recommended Catch Plate : Type AC 144; AC 122.

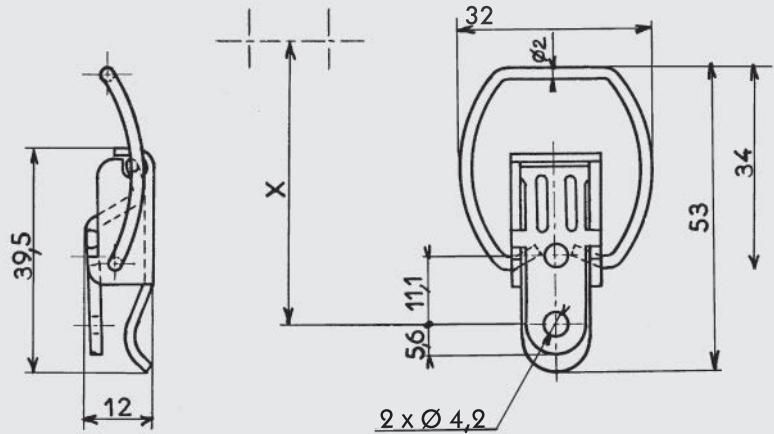
MATERIAL	FINISH	FIXING	kg/100	REFERENCES	kg/100	REFERENCES
Steel	white zinc plated	with holes	9,300	GO.3029-ZI	9,300	GO.3075-ZI
Steel	yellow zinc plated	with holes	9,300	GO.3029-ZB*	9,300	GO.3075-ZB*
St. steel A2	raw	with holes	9,300	GO.3029-IB	9,300	GO.3075-IB

* References only produced on order



full size

GE.4



Size : 3/4

max = 40 daN

Description :

- Great flexibility in operation.
- Permits a large number of operations without relaxation of the link

Other information :

- Approximate fixing position to give 20 daN tension, using catch plate AC 103
- $x = 50$ mm
- Recommended catch plate : AC 103
- Lever : Material thickness 1.5 mm
- Base : Material thickness 2 mm
- Link : 2 mm dia. spring wire

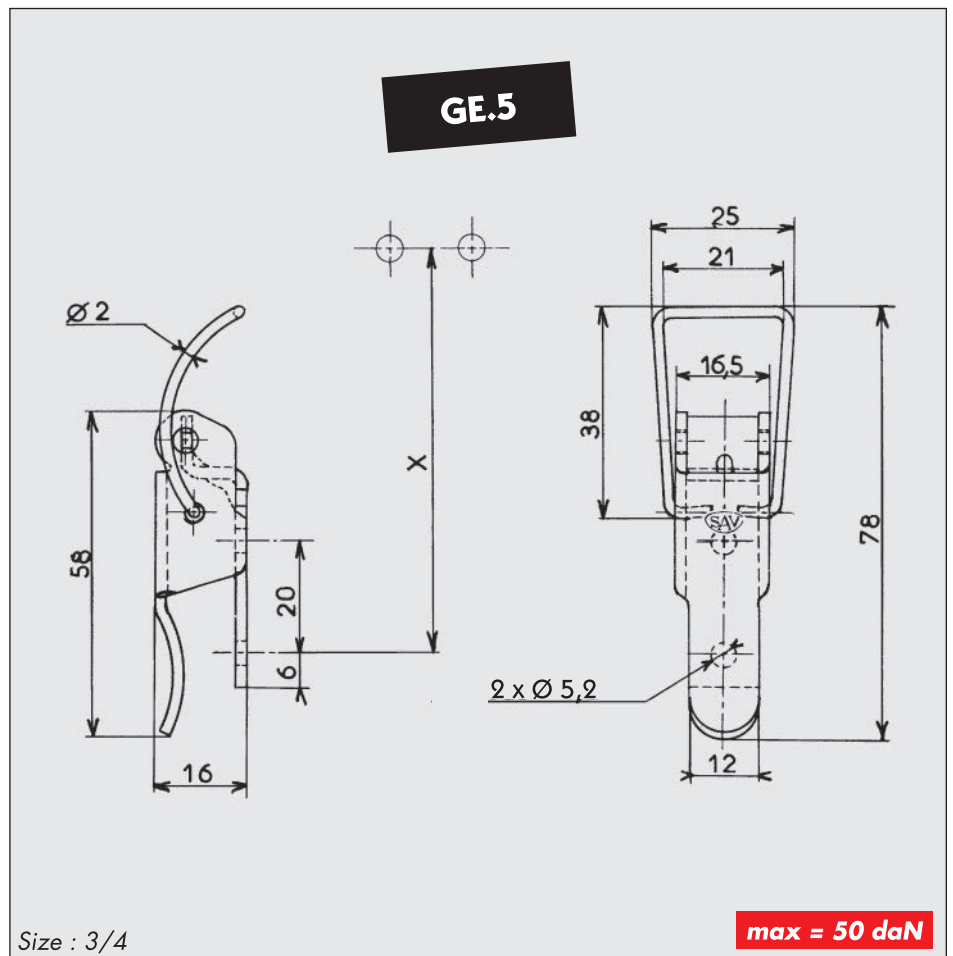
MATERIAL	FINISH	FIXING	kg/100	REFERENCES
Steel	white zinc plated	with holes	1,900	GE.4-ZI
Steel	yellow zinc plated	with holes	1,900	GE.4-ZB*
St. steel A2	raw	with holes	1,900	GE.4-IB

* References only produced on order

A2 **1 0**



full size



Description :

- Curved wire link gives wide degree of flexibility and good positioning tolerance.
- Available in a wide variety of finishes and materials.

Other information :

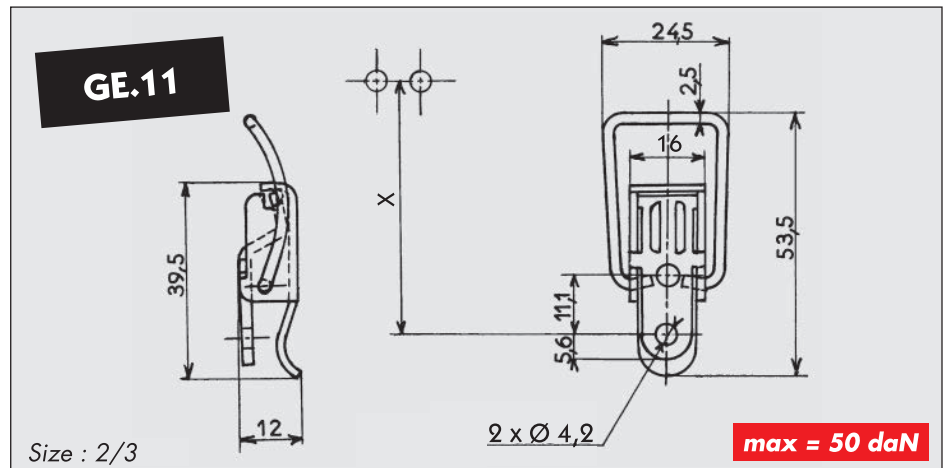
- Approximate fixing position to give 35 daN tension, using catch plate AC 121
- $x = 77.5$ mm
- Recommended Catch Plate : Type AC 121
- Lever : Metal Thickness 2.0 mm
- Base : Metal Thickness 2.0 mm
- Link : 2.0 mm diameter, curved piano wire.

MATERIAL	FINISH	FIXING	kg/100	REFERENCES
Steel	raw	with holes	3,600	GE.5-BR*
Steel	raw	without hole	3,700	GE.5A-BR
Steel	white zinc plated	with holes	3,600	GE.5-ZI
Steel	yellow zinc plated	with holes	3,600	GE.5-ZB*
Steel	chrome plated	with holes	3,600	GE.5-CH*
Light Alloy	raw	with holes	1,300	GE.5-AL*
St. steel A2	raw	with holes	3,600	GE.5-IB
St. steel A2	raw	without hole	3,700	GE.5A-IB*
St. steel A2	polished	with holes	3,600	GE.5-IP*

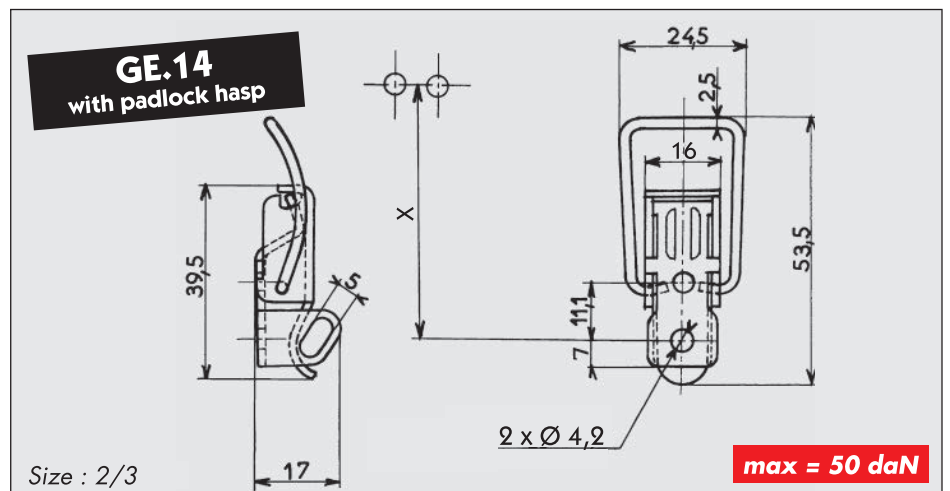
* References only produced on order



full size



full size



Description :

- Curved wire link gives wide degree of flexibility and good positioning tolerance.
- Suitable for screw fixing or welding.

Other information :

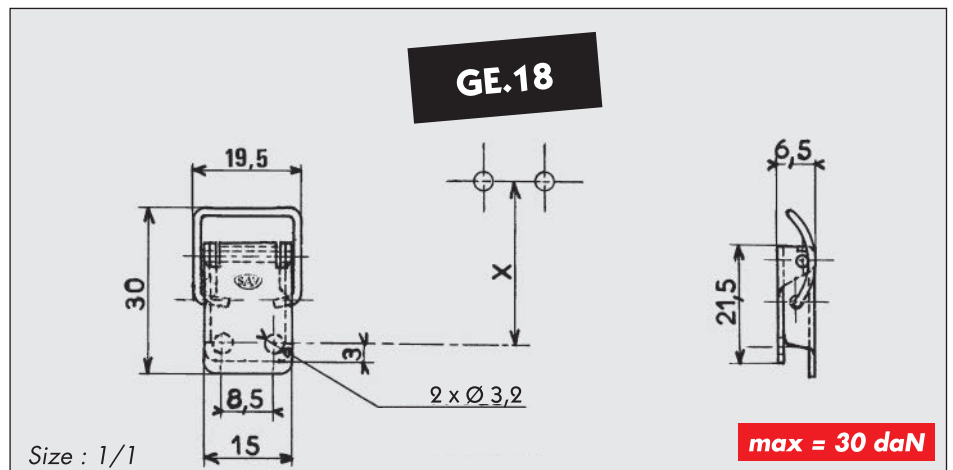
- Approximate fixing position to give 35.7 daN tension, using catch plate AC 161
- $x = 51.2\text{mm}$
- Recommended Catch Plate : Type AC 161
- Lever : Metal Thickness 1.5 mm
- Base : Metal Thickness 2.0 mm
- Link : 2.5 mm diameter, curved piano wire.

MATERIAL	FINISH	FIXING	kg/100	REFERENCES	kg/100	REFERENCES
Steel	raw	with holes	2,040	GE.11-BR*	2,190	GE.14-BR*
Steel	raw	without hole	2,080	GE.11ABR	2,230	GE.14ABR
Steel	white zinc plated	with holes	2,040	GE.11-ZI	2,190	GE.14-ZI
Steel	yellow zinc plated	with holes	2,040	GE.11-ZB*	2,190	GE.14-ZB*
St. steel A2	raw	with holes	2,040	GE.11-IB	2,200	GE.14-IB*

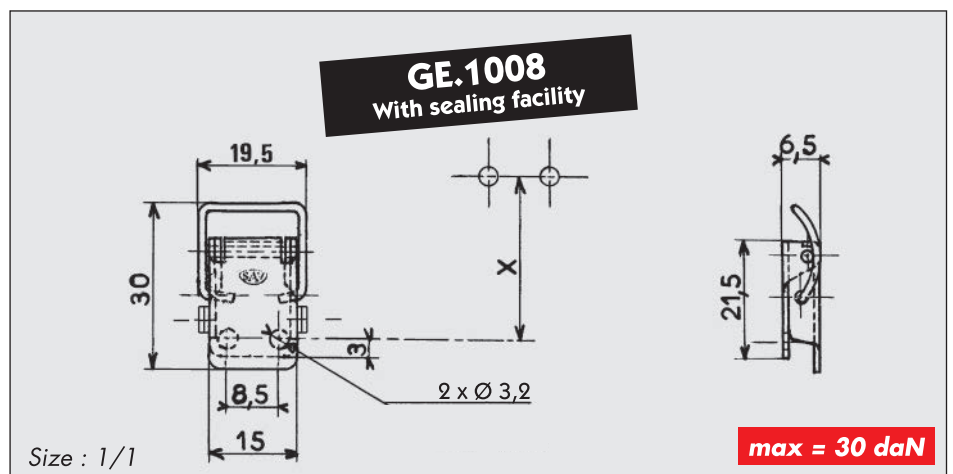
* References only produced on order



full size



full size



Description :

- GE 18 without sealing facility.
- GE 1008 with sealing facility.
- Miniaturized model.
- Curved wire links permits wider tolerance of fitting dimensions.
- Available in a wide variety of finishes and materials.
- This model is similar to type GE 70 but slightly larger. Suitable for screw fixing or welding.

Other information :

- Approximate fixing position to give 30 daN tension, using catch plate AC 118
- $x = 31.1$ mm
- Recommended Catch Plate : Type AC 118
- Lever : Metal Thickness 0.8 mm
- Base : Metal Thickness 1.0 mm
- Link : 1.5 mm diameter, curved piano wire, steel or stainless steel 18/8

MATERIAL	FINISH	FIXING	kg/100	REFERENCES	REFERENCES
Steel	raw	with holes	0,650	GE.18-BR*	
Steel	raw	without hole	0,660	GE.18-ABR	
Steel	white zinc plated	with holes	0,650	GE.18-ZI	GE.1008-ZI
Steel	yellow zinc plated	with holes	0,650	GE.18-ZB*	GE.1008-ZB*
St. steel A2	raw	with holes	0,650	GE.18-IB	GE.1008-IB*
St. steel A2	raw	without hole	0,660	GE.18-AIB*	
St. steel A2	polished	with holes	0,650	GE.18-IP	

* References only produced on order

GE.25

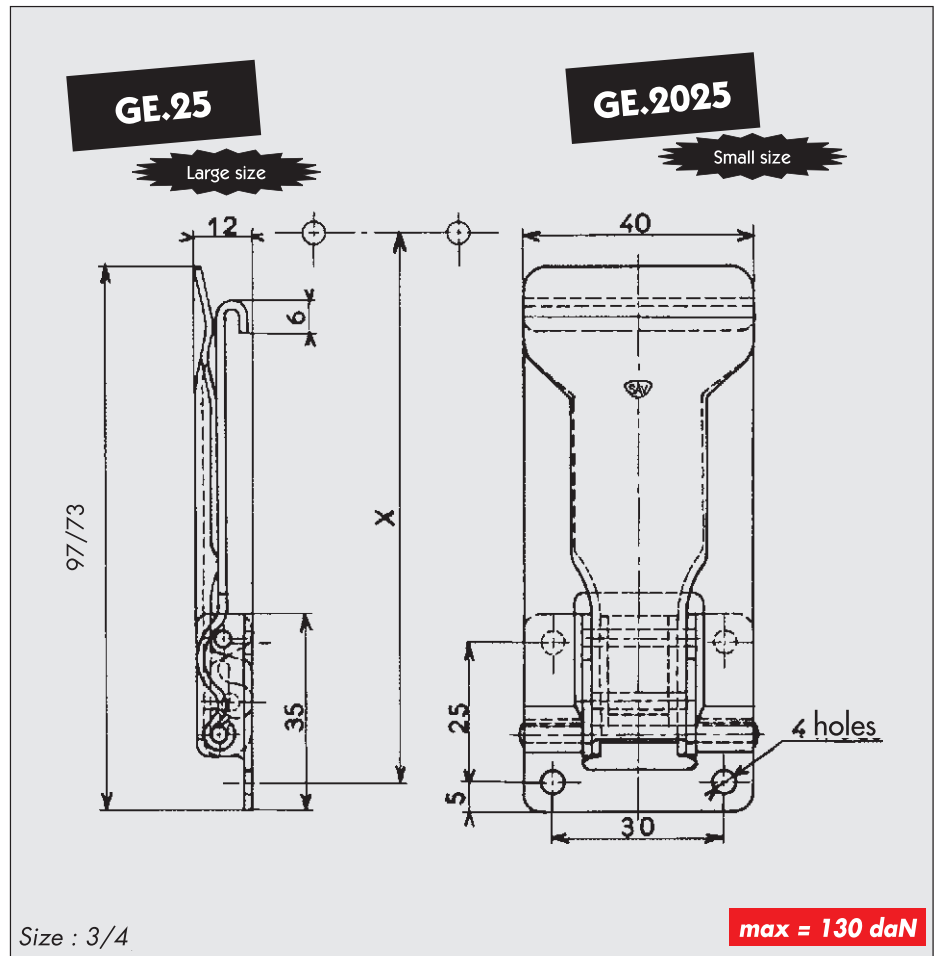


full size

GE.2025



full size



Description :

- Extra flat profile, low clearance required.
- Easy operation.
- Possibility of sealing.
- Can be used for gripping in groove without use of catch plate.
- Latch folds completely flat when open minimising the risk of accidental damage.
- Inverted action.
- All pins and assembly rivets in stainless steel 18/8 in all cases.

Other information :

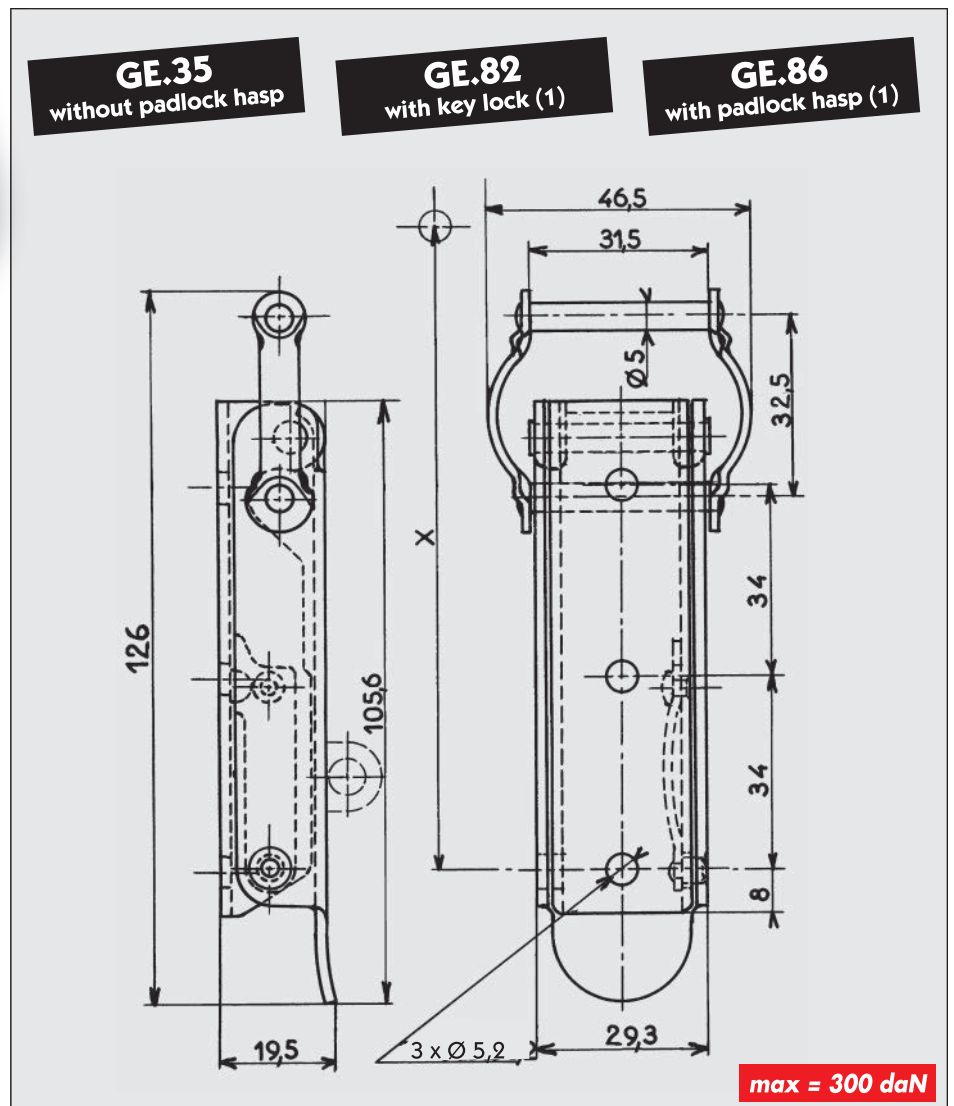
- Approximate fixing position to give 80 daN tension, using catch plate AC 168
- $x = 94.3$ mm
- Recommended Catch Plate : Type AC 168
- Lever : Metal Thickness 1.5mm
- Base : Metal Thickness 1.5 mm
- Link : Metal thickness 1.5 mm

MATERIAL	FINISH	FIXING	kg/100	REFERENCES	kg/100	REFERENCES
Steel	white zinc plated	with holes	7,900	GE.25-ZI	6,100	GE.2025-ZI*
Steel	yellow zinc plated	with holes	7,900	GE.25-ZB*	6,100	GE.2025-ZB*
St. steel A2	raw	with holes	7,900	GE.25-IB	6,150	GE.2025-IB*

* References only produced on order



full size



Description :

- High strength latch, with flexible sidelinks giving increased positioning tolerance.
- Spring safety lock feature (GE 35 only)
- Complete security, key operated lock (GE 82 only)
- Padlock hasp, without spring safety lock (GE 86 only)
- Possibility of sealing.
- Assembly rivets stainless steel in all cases. Security lock version supplied with 2 keys.
- Model GE.82 = Mixed key n°92236 and key n°92226
- Model GE.82 J = key n°92236
- Model GE.82 K = key n°92226

(1) without safety spring inside lever

Other information :

- Approximate fixing position to give 200 daN tension, using catch plate AC 143
- x = 116.5 mm
- Recommended Catch Plate : Type AC 143, AC 154 or AC 155
- Lever : Metal Thickness 2.0 mm
- Base : Metal Thickness 2.0 mm
- Links (2) : Metal thickness 1.5 mm

MATERIAL	FINISH	FIXING	kg/100	REFERENCES
Steel	raw	with holes	17,100	GE.35-BR*
Steel	yellow zinc plated	with holes	17,100	GE.35-ZB*
Steel	raw	with holes	17,100	GE.86-BR*
Steel	yellow zinc plated	with holes	17,100	GE.86-ZB*
Steel	white zinc plated	with holes	20,000	GE.82-ZI
Steel	yellow zinc plated	with holes	20,000	GE.82-ZB*
Steel	white zinc plated	with holes	20,000	GE.82 JZI* / KZI*
Steel	yellow zinc plated	with holes	20,000	GE.82 JZB* / KZB*

* References only produced on order



GE.36

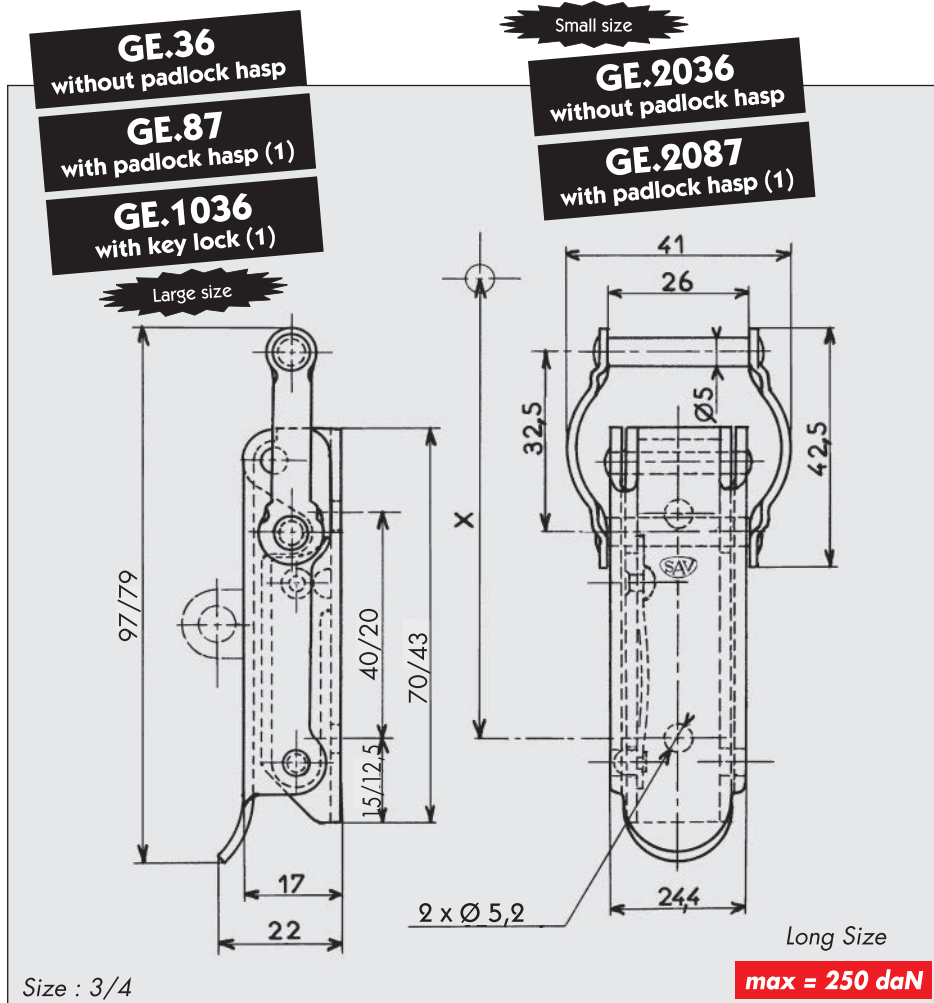
full size



GE.2036

full size

(1) without safety spring inside lever



Description :

- High strength latch with flexible sidelinks giving increased positioning tolerance.
- Spring safety lock - particularly recommended for equipment liable to vibration.
- Possibility of sealing.
- Spring safety lock requires positive action to release latch.
- Assembly rivets are stainless steel 18/8 in all cases
- Can be supplied with padlock hasp.

Other information :

- AApproximate fixing position to give 150 daN tension, using catch plate AC 144
- x = 84.5 mm
- Recommended Catch Plate : Type AC 144, AC 156 or AC 157
- Lever : Metal Thickness 2.0 mm
- Base : Metal Thickness 2.0 mm
- Links (2) : Metal thickness 1.5 mm, tempered steel.

MATERIAL	FINISH	FIXING	kg/100	REFERENCES	kg/100	REFERENCES
Steel	raw	with holes	11,000	GE.36-BR*	8,500	GE.2036-BR*
Steel	white zinc plated	with holes	11,000	GE.36-ZI	8,500	GE.2036-ZI*
Steel	yellow zinc plated	with holes	11,000	GE.36-ZB*	8,500	GE.2036-ZB*
Steel	raw	with holes	11,000	GE.87-BR*	8,500	GE.2087-BR*
Steel	white zinc plated	with holes	11,000	GE.87-ZI	8,500	GE.2087-ZI*
Steel	yellow zinc plated	with holes	11,000	GE.87-ZB*	8,500	GE.2087-ZB*
Steel	white zinc plated	with holes	15,250	GE.1036-ZI		
Steel	yellow zinc plated	with holes	15,250	GE.1036-ZB*		

* References only produced on order

GE.37

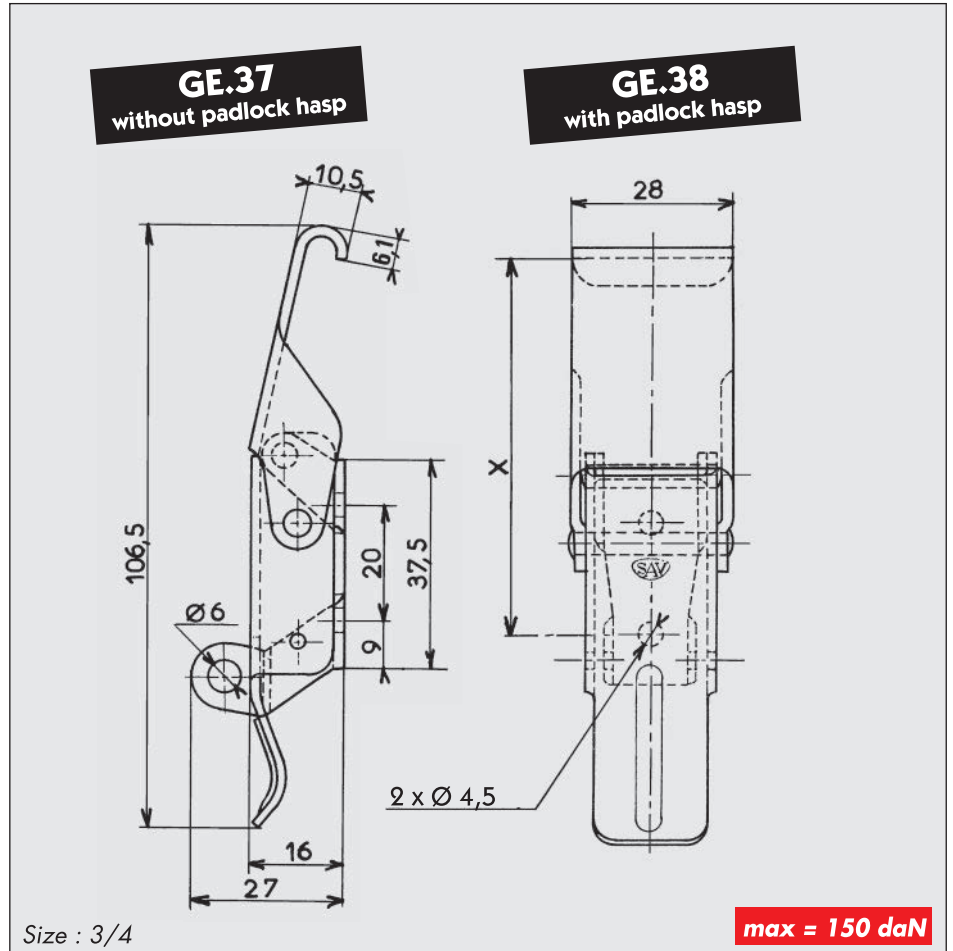


full size

GE.38



full size



■ **Description :**

- Available with or without padlock hasp facility.
- Aesthetically pleasing appearance.
- Possibility of sealing.
- Can be utilised for gripping in groove without use of catch plate.
- Assembly rivets stainless steel 18/8 in all cases.
- Stainless steel latches have reinforced link.

■ **Other information :**

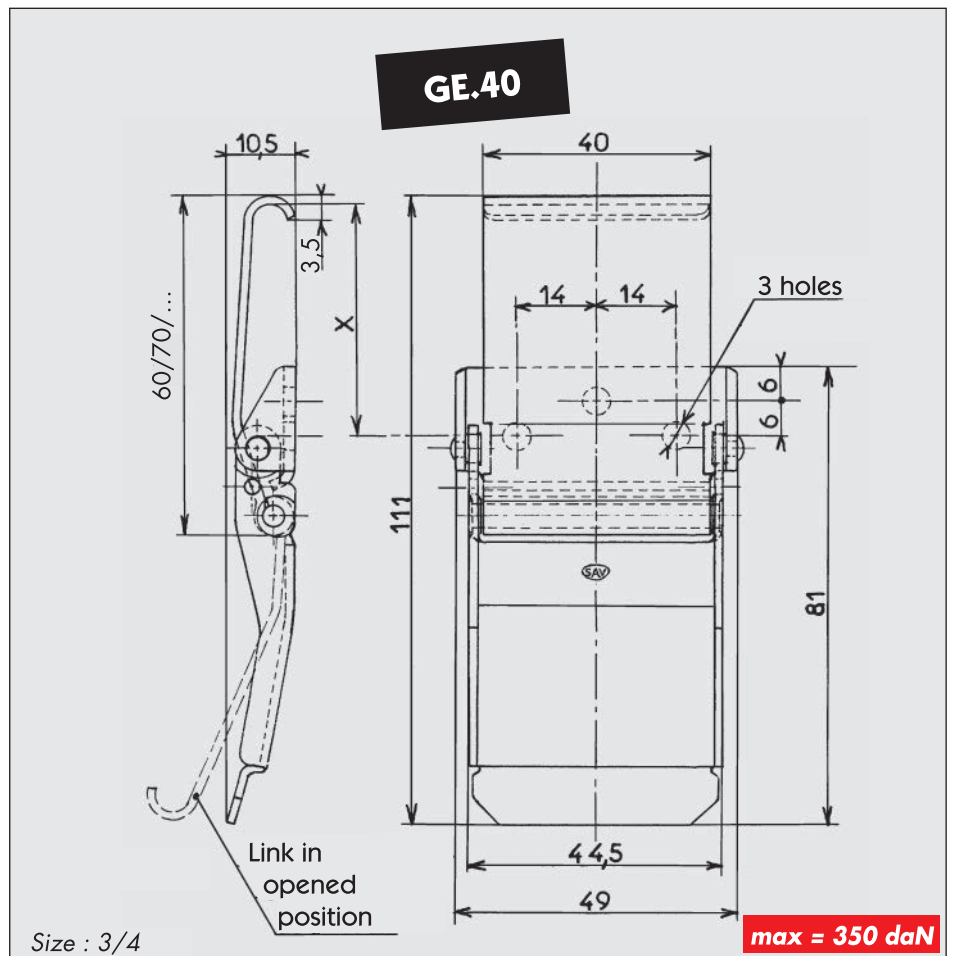
- Approximate fixing position to give 110 daN tension,
- $x = 67.8$ mm
- Recommended Catch Plate : Type AC 146, AC 148 or AC 149
- Lever : Metal Thickness 1.5 mm
- Base : Metal Thickness 1.5 mm
- Link : Metal thickness 2.0 mm

MATERIAL	FINISH	FIXING	kg/100	REFERENCES
Steel	white zinc plated	with holes	7,600	GE.37-ZI GE.38-ZI
Steel	yellow zinc plated	with holes	7,600	GE.37-ZB* GE.38-ZB*
Steel	chromeplated	with holes	7,600	GE.37-CH* GE.38-CH*
St. steel A2	raw	with holes	7,600	GE.37-EIB GE.38-EIB
St. steel A2	passivation	with holes	7,600	GE.37-EIA* GE.38-EIA*

* References only produced on order



full size



Description :

- Especially suitable for use in areas of low clearance due to flat profile.
- In open position latch folds flat minimising risk of accidental damage.
- Can be utilised for gripping in groove without use of catch plate.
- Easy operation despite high operating tension.
- Possibility of sealing.
- Assembly rivets Stainless Steel 18/8 in all cases.
- Different length links (Y) available on request.
- A version of this latch is available with a manual safety catch.
- A smaller version of this latch is available having an overall length of 85mm and a base width of 34.5mm. Stainless steel latches have reinforced links.

Other information :

- Approximate fixing position to give 250 daN tension, with 60 mm long link
- $x = 42.1$ mm,
- with 70 mm long link $x = 53.1$ mm
- Ultimate tension : 500 daN
- Recommended Catch Plate : Type AC 151 or AC 160
- Lever : Metal Thickness 1.5 mm

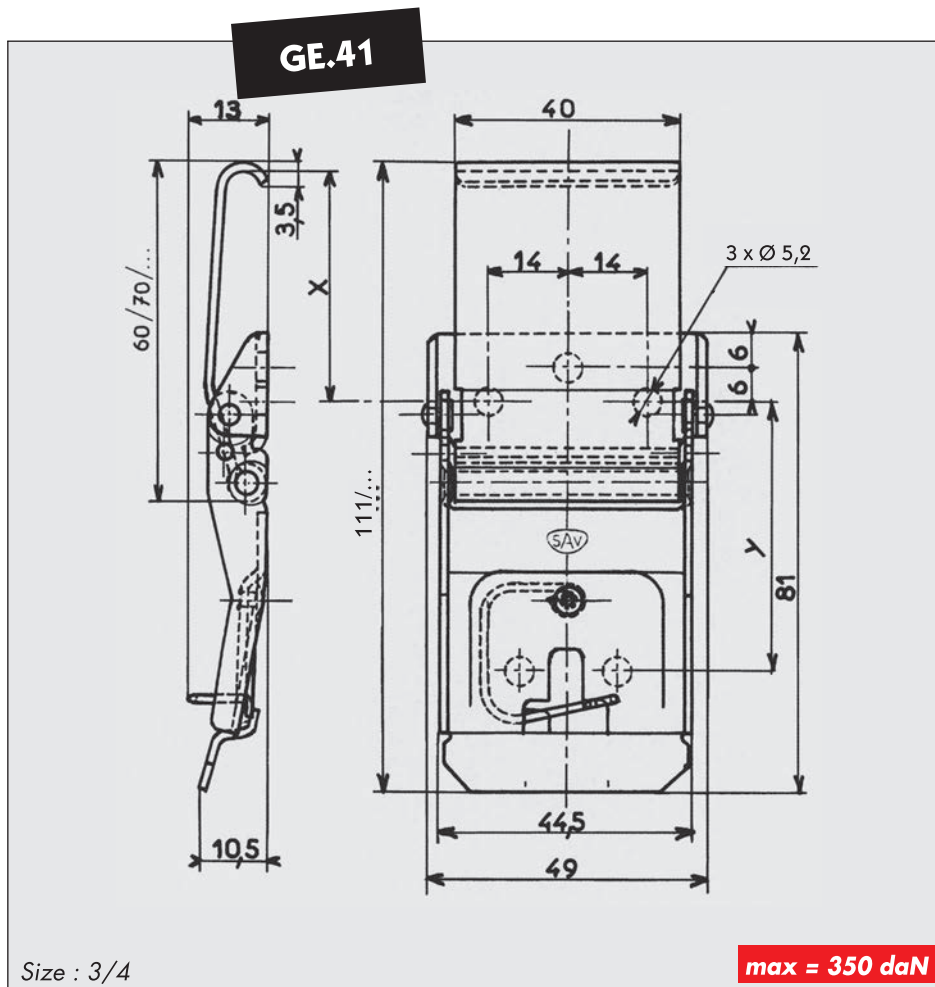
- Base : Metal Thickness 2.0 mm
- Link : Metal Thickness 1.5 mm

MATERIAL	FINISH	FIXING	kg/100	REFERENCES
Steel	white zinc plated	with holes	9,000	GE.40-ZI
Steel	yellow zinc plated	with holes	9,000	GE.40-ZB*
Steel	white zinc plated	with holes	9,900	GE.40-FZI
Steel	yellow zinc plated	with holes	9,900	GE.40-FZB*
St. steel A2	raw	with holes	9,900	GE.40-EIB
St. steel A2	raw	with holes	9,000	GE.40-GIB
St. steel A2	polished	with holes	9,000	GE.40-GIP*

* References only produced on order



full size



Description :

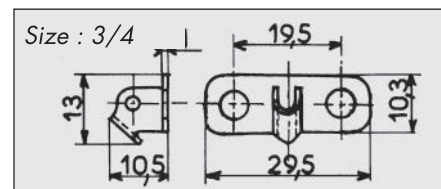
- Secondary lock prevents accidental opening of latch. Especially suitable for use in areas of low clearance due to flat profile.
- Can be utilised for gripping in a groove without use of catch plate.
- Easy operation despite high operating tension.
- Possibility of sealing.
- This latch is identical to the F40, but has the secondary lock feature.
- The secondary lock hook has to be pulled back at the same time that the lever is lifted for the latch to be opened.
- The secondary lock strike is supplied in 18/8 stainless steel only and has to be ordered separately from the latch.
- Assembly rivets and wire hook 18/8 stainless steel in all cases.
- Stainless steel latches have reinforced links.

Other information :

- Approximate fixing position to give 250daN tension
 with 60 mm link $x = 42.1$ mm
 with 70 mm link $x = 53.1$ mm
- Ultimate tension : 500 daN
- Recommended Catch Plate : Type AC 151 or AC 160
- Lever : Metal Thickness 1.5 mm
- Base : Metal Thickness 2.0 mm
- Link : Metal thickness 1.5 mm

SAFETY LOCK PART AZ.297

MATERIAL	kg/100	REFERENCES
St. steel A2	0,250	AZ.297-IB



MATERIAL	FINISH	FIXING	kg/100	REFERENCES
Steel	white zinc plated	with holes	8,600	GE.41-ZI
Steel	yellow zinc plated	with holes	8,600	GE.41-ZB*
St. steel A2	raw	with holes	9,500	GE.41-EIB
Steel	white zinc plated	with holes	9,500	GE.41-FZI
Steel	yellow zinc plated	with holes	9,500	GE.41-FZB*
St. steel A2	raw	with holes	8,600	GE.41-GIB

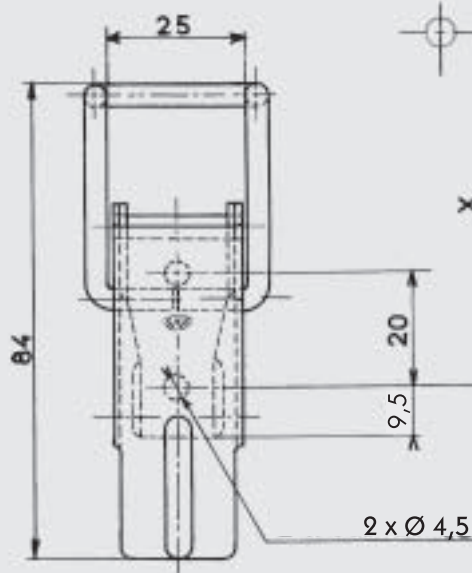
* References only produced on order

GE.44

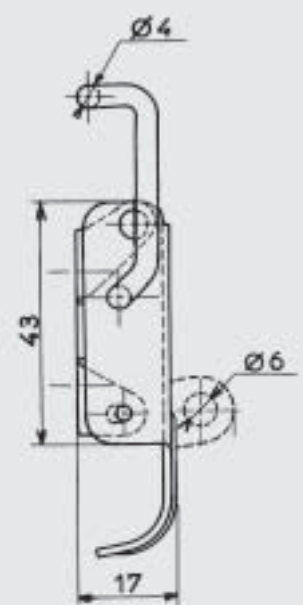


full size

GE.44
with padlock hasp



GE.46
without padlock hasp



Size : 3/4

max = 70 daN

GE.46



full size

Description :

- Available with or without padlock hasp.
- Simple, inexpensive and robust general latch.
- Possibility of sealing.
- Suitable for screw fixing or welding.

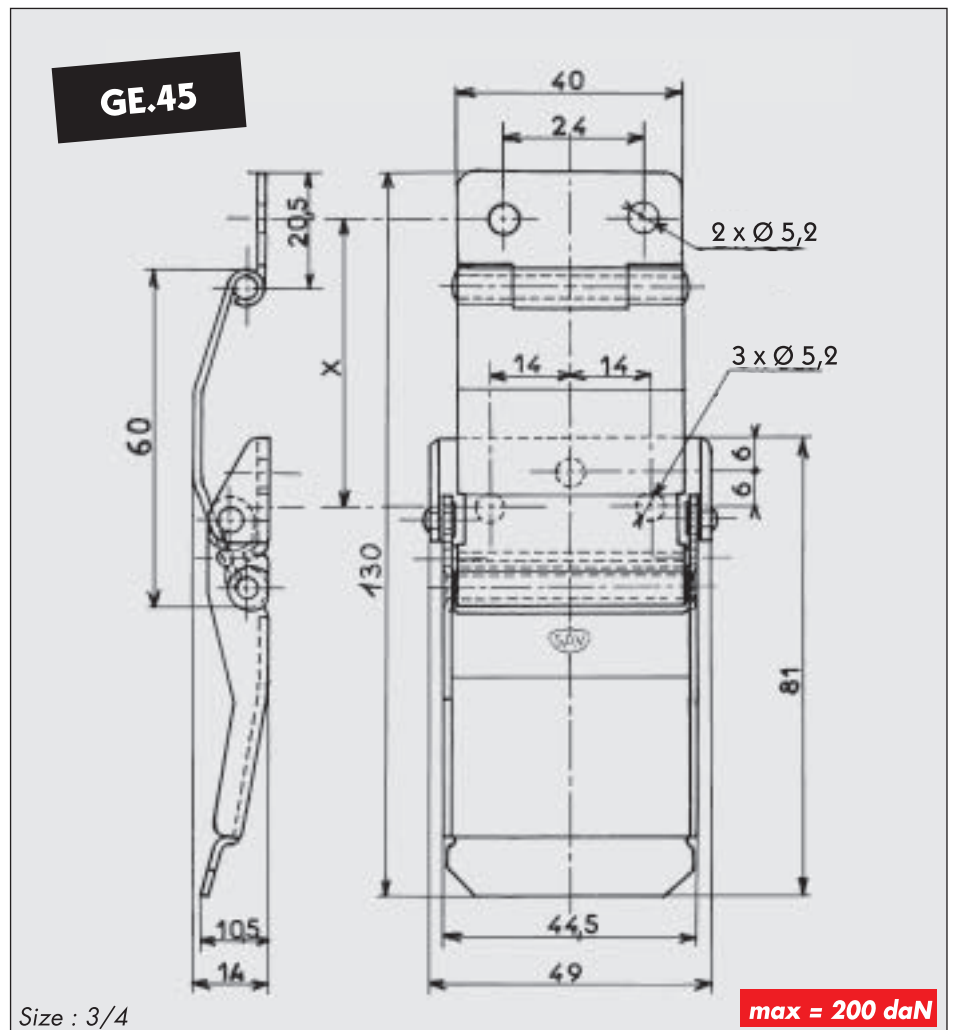
Other information :

- Approximate fixing position to give 50 daN tension, using catch plate AC 121 or AC 123
- $x = 63.3$ mm
- Recommended Catch Plate : Type AC 121 or AC 123
- Lever : Metal Thickness 1.5 mm
- Base : Metal Thickness 1.5 mm
- Link : 4.0 mm diameter wire.

MATERIAL	FINISH	FIXING	kg/100	REFERENCES
Steel	raw	with holes	5,600	GE.44-BR*
Steel	raw	without hole	5,630	GE.44ABR
Steel	white zinc plated	with holes	5,600	GE.44-ZI
Steel	yellow zinc plated	with holes	5,600	GE.44-ZB*
St. steel A2	raw	with holes	5,700	GE.44-IB

* References only produced on order

full size



Size : 3/4

max = 200 daN

Description :

- Hinge has an overcentre toggle action so that a gasketed container may be properly sealed on all sides.
- Possibility of wire sealing.
- Easy operation despite high working tension.
- Different length links available on request (Dim. Y)
- Recommended for use in conjunction with latch type GE 40 or GE 41.
- Assembly pins are stainless steel 18/8 in all cases.

Other information :

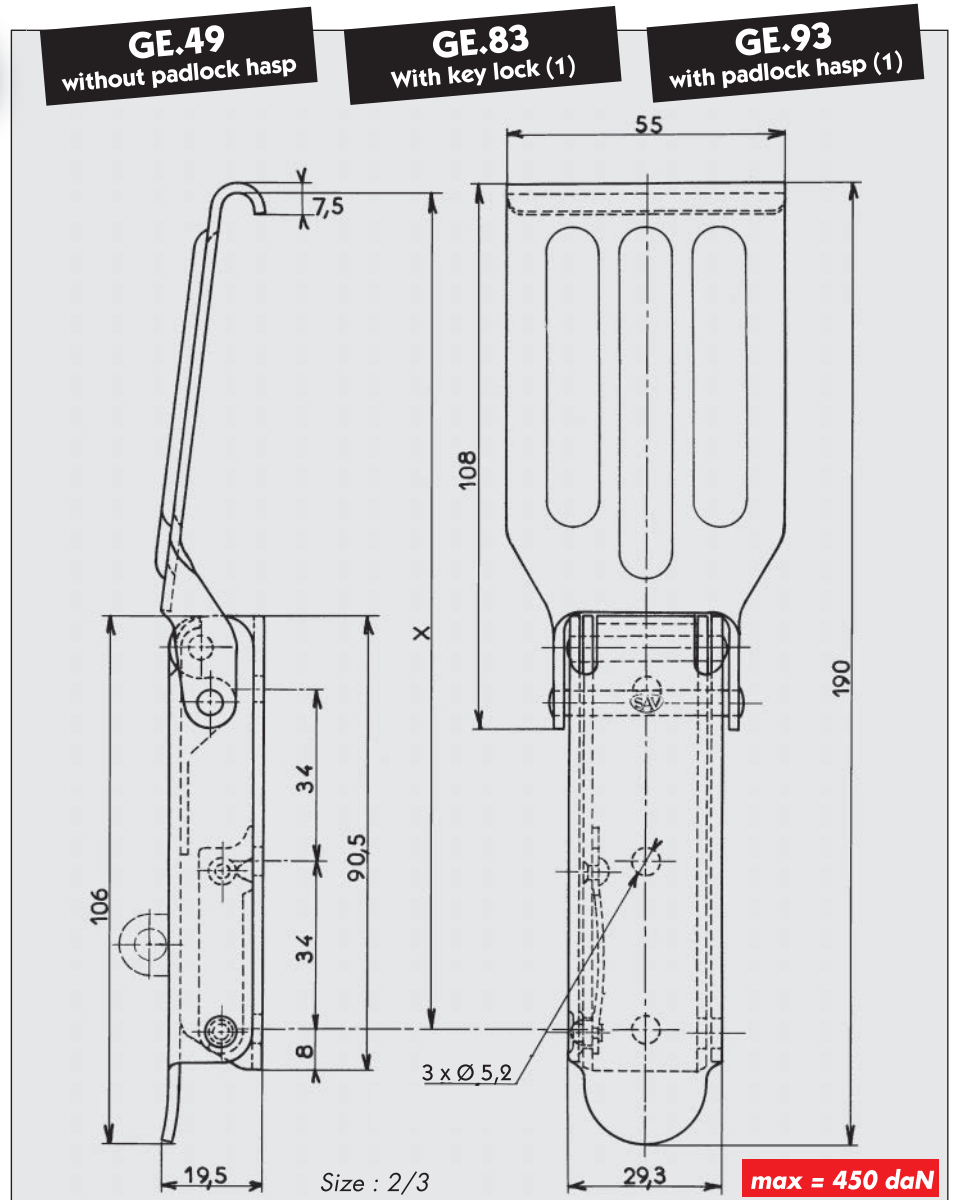
- Approximate fixing position to give 250 daN tension,
with 60 mm long link : $x = 62.2$ mm
with 70 mm long link : $x = 73.2$ mm
- Ultimate tension : 500 daN
- Lever : Metal Thickness 1.5 mm
- Base-Lever : Metal Thickness 2.0 mm
- Base-Link : Metal thickness 1.5 mm
- Link : Metal Thickness 1.5 mm

MATERIAL	FINISH	FIXING	kg/100	REFERENCES
Steel	white zinc plated	with holes	10,620	GE.45-ZI
Steel	yellow zinc plated	with holes	10,620	GE.45-ZB*
Steel	white zinc plated	with holes	11,060	GE.45-FZI
Steel	yellow zinc plated	with holes	11,060	GE.45-FZB*

Reference *GE.45-F* with link length 70 mm

* References only produced on order

full size



- Possibility of sealing.
- Can be used to hook over a lid or with a catch plate.
- A version with a key lock is available - GE 83

Other information :

- Approximate fixing position to give 275 daN tension
- $x = 168.5\text{mm}$
- Recommended catch plate : AC 158 or AC 159
- Lever : Material thickness 2 mm
- Base : Material thickness 2 mm
- Link : 2 mm tempered steel or stainless

Description :

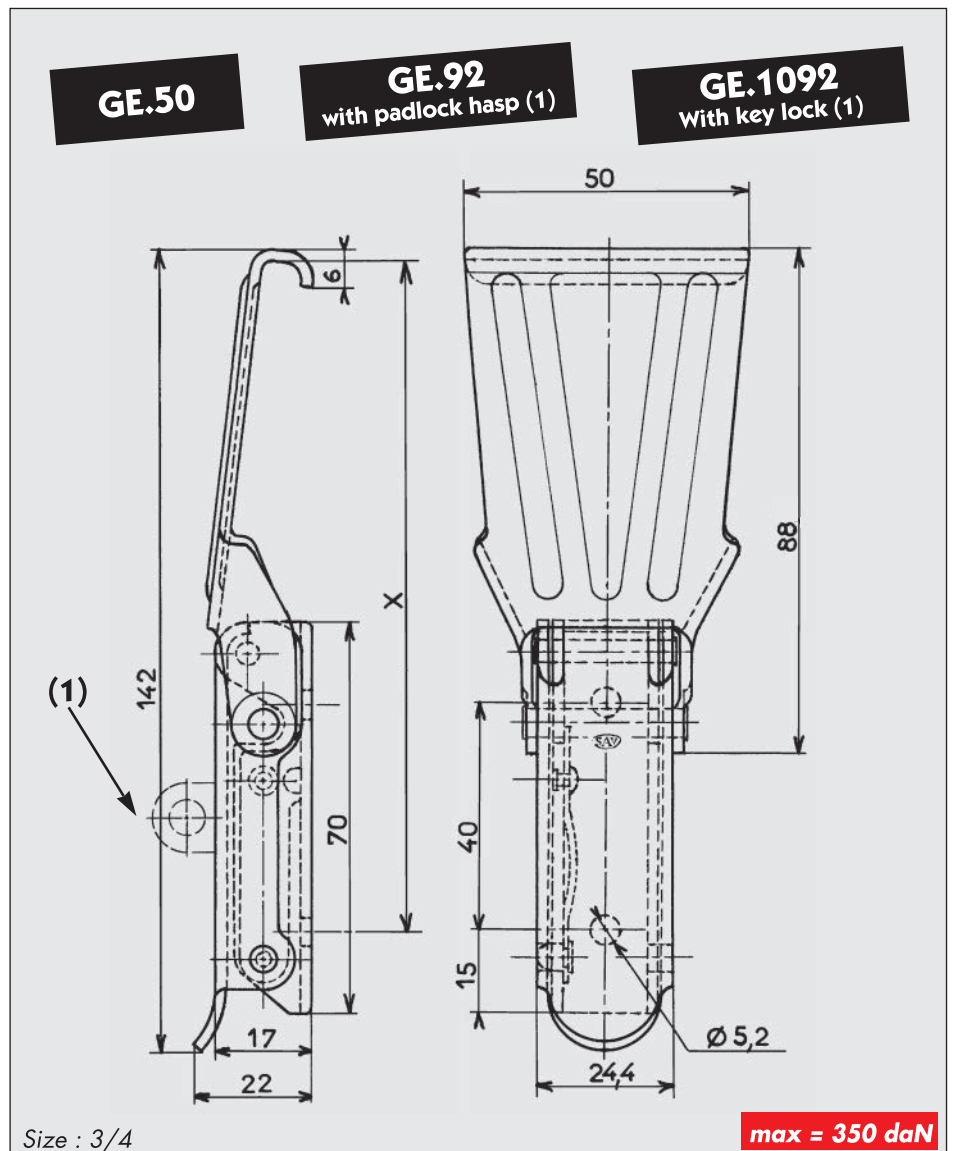
- High strength latch.
- F49 has a spring safety lock - particularly recommended for equipment subject to vibration
- F93 has a padlock hasp and does not have the spring safety lock.

(1) without safety spring inside lever

MATERIAL	FINISH	FIXING	kg/100	REFERENCES		
Steel	white zinc plated	with holes	24,500	GE.49-ZI	GE.83-ZI	GE.93-ZI
Steel	yellow zinc plated	with holes	24,500	GE.49-ZB*	GE.83-ZB*	GE.93-ZB*
St. steel A2	raw	with holes	24,500	GE.49-IB		GE.93-IB
St. steel A2	passivation	with holes	24,500	GE.49-IA*		GE.93-IA*

* References only produced on order

full size



Description :

- High strength latch.
- F50 has a spring safety lock - particularly recommended for equipment subject to vibration.
- F92 has a padlock hasp and does not have the spring safety lock.
- A version with a key lock is available - GE 1092

- Possibility of sealing.
- Can be used to hook over a lid or with a catch plate.

Other information :

- Approximate fixing position to give 200 daN tension
- $x = 119.5$ mm
- Recommended catch plate : AC 158 or AC 159
- Lever : Material thickness 2 mm
- Base : Material thickness 2 mm
- Link : 2 mm tempered steel or stainless

MATERIAL	FINISH	FIXING	kg/100	REFERENCES	kg/100	REFERENCES	kg/100	REFERENCES
Steel	white zinc plated	with holes	16,500	GE.50-ZI	16,300	GE.92-ZI	19,400	GE.1092-ZI
Steel	yellow zinc plated	with holes	16,500	GE.50-ZB*	16,300		19,400	
St. steel A2	raw	with holes	16,500	GE.50-IB	16,300	GE.92-IB	19,400	GE.1092-IB

(1) without safety spring inside lever

* References only produced on order

With or without safety lock

GE.51

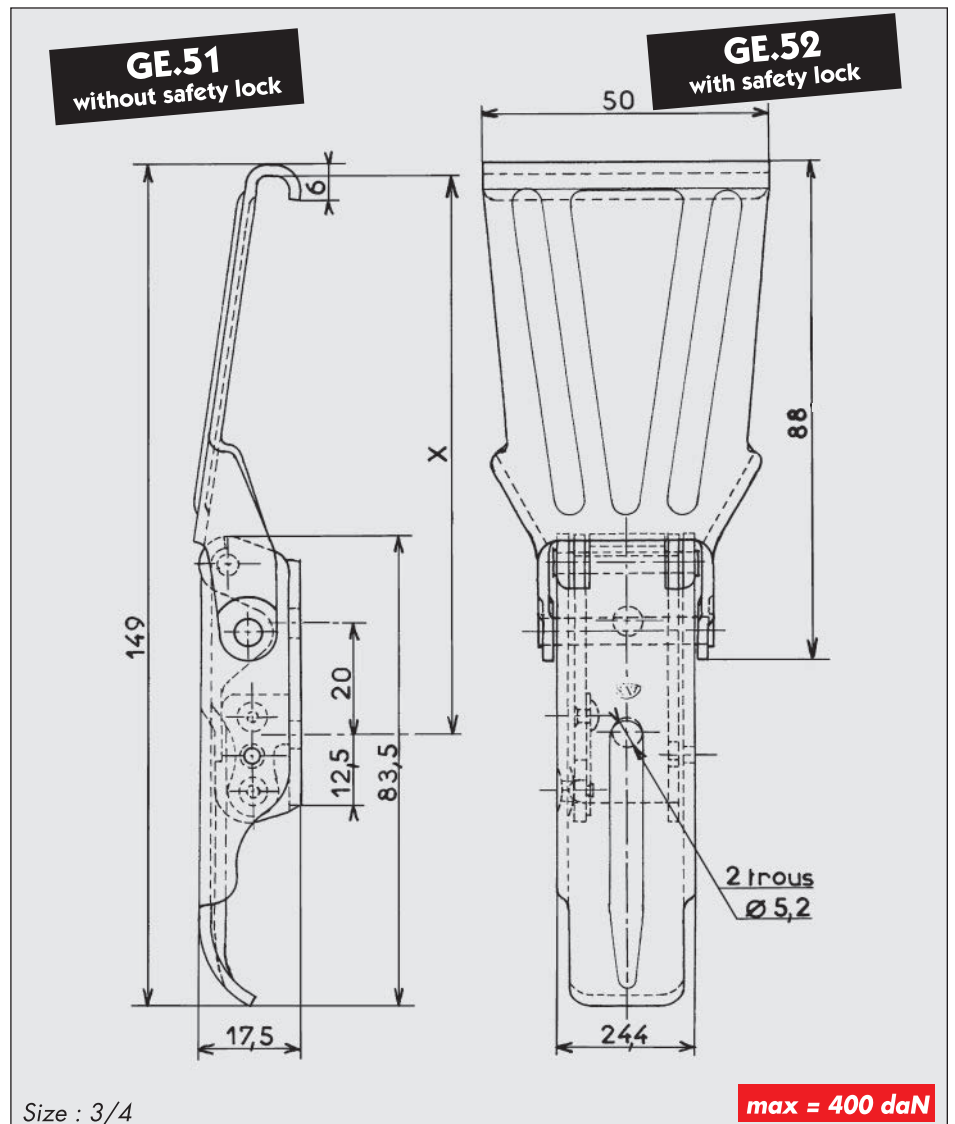


Size 1/2

GE.52



Size 1/2



Description :

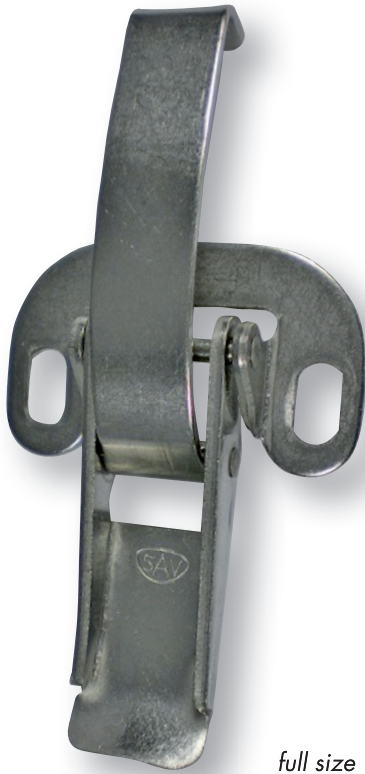
- High strength with or without manual safety lock.
- Manual safety lock prevents accidental unlatching.
- Possibility of sealing.
- Can be used to hook over a lid or with a catch plate.

Other information :

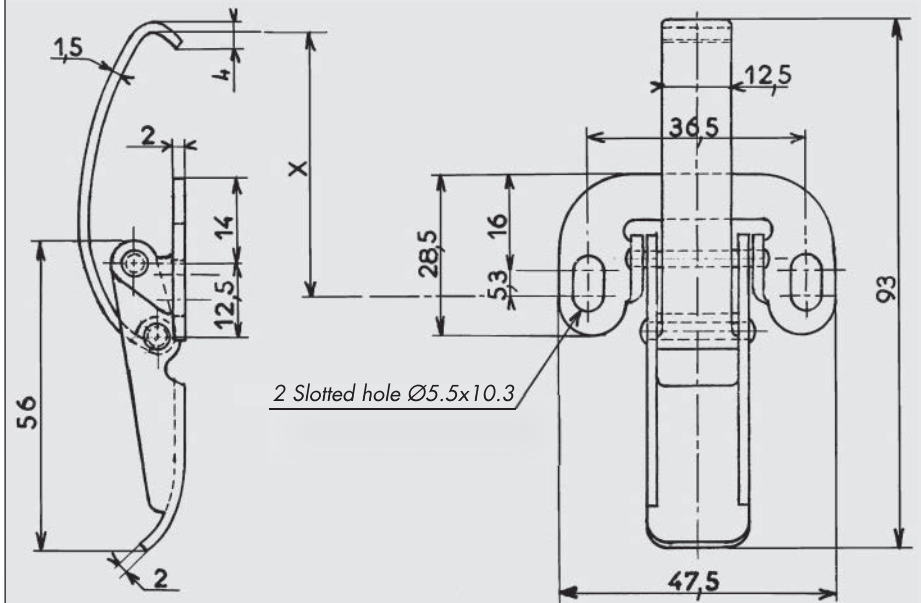
- Approximate fixing position to give 250 daN tension
- $x = 98.3 \text{ mm}$
- Recommended catch plate : AC 158 or AC 159
- Lever : Material thickness 2 mm
- Base : Material thickness 2 mm
- Link : 2 mm tempered steel or stainless

MATERIAL	FINISH	FIXING	kg/100	REFERENCES	kg/100	REFERENCES
Steel	white zinc plated	with holes	15,000	GE.51-ZI	15,470	GE.52-ZI
Steel	yellow zinc plated	with holes	15,000	GE.51-ZB*	15,470	GE.52-ZB*
St. steel A2	raw	with holes	15,000	GE.51-IB	15,470	GE.52-IB
St. steel A2	passivated	with holes	15,000	GE.51-IA*	15,470	GE.52-IA*

GE.60



full size



Size : 3/4

max = 100 daN

Description :

- Base plate has slotted fixing holes for positional adjustment.
- Can be utilised for gripping in groove without use of catch plate.
- Curved link gives wider tolerance.
- Available in in other finishes and materials.

Other information :

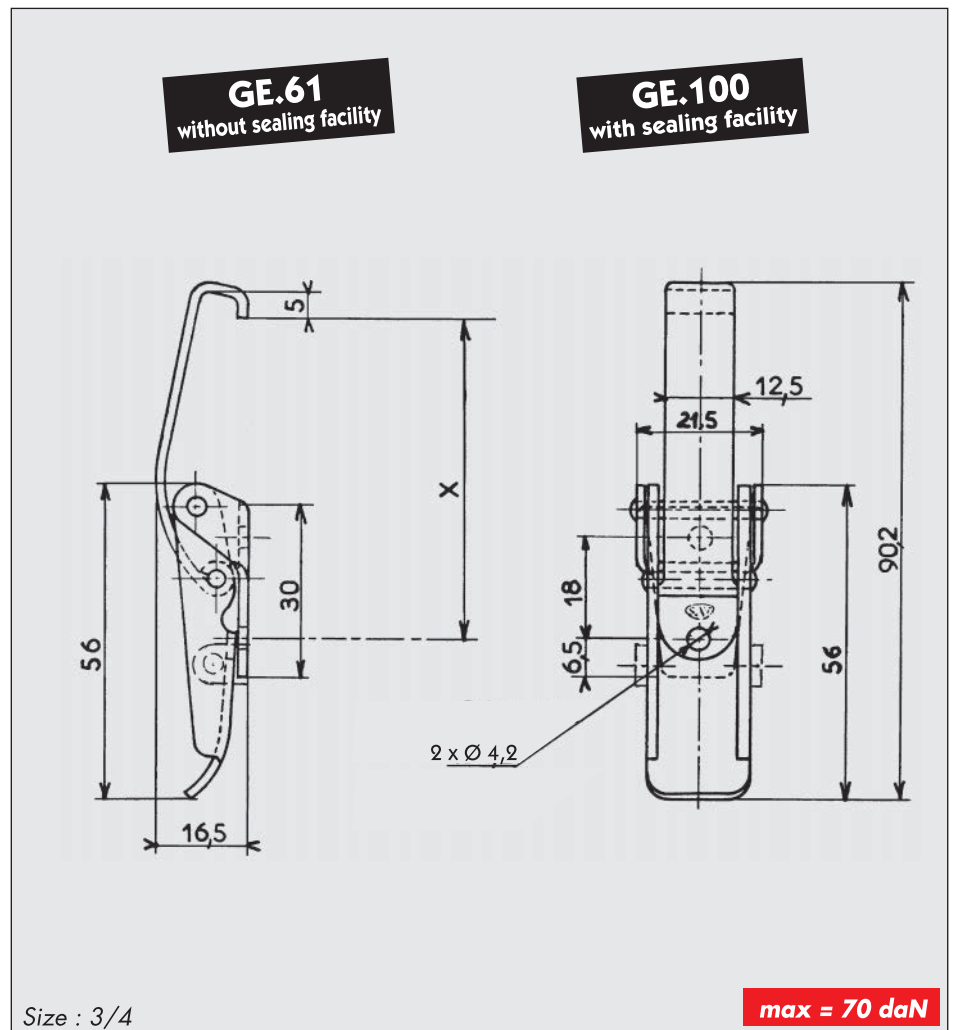
- Approximate fixing position to give 50 daN tension,
- $x = 50.4$ mm
- Recommended Catch Plate : Type AC 103
- Lever : Metal Thickness 2.0 mm
- Base : Metal Thickness 2.0 mm
- Link : Metal Thickness 1.5 mm

MATERIAL	FINISH	FIXING	kg/100	REFERENCES
Steel	raw	with holes	4,600	GE.60-BR*
Steel	white zinc plated	with holes	4,600	GE.60-ZI
Steel	yellow zinc plated	with holes	4,600	GE.60-ZB*
St. steel A2	raw	with holes	4,600	GE.60-IB

* References only produced on order



full size



Description :

- GE 61 without sealing facility.
- GE 100 with sealing facility.
- Can be utilised for gripping in groove without use of catch plate.
- Curved link gives wider positioning tolerance.
- Suitable for screw fixing or welding.

Other information :

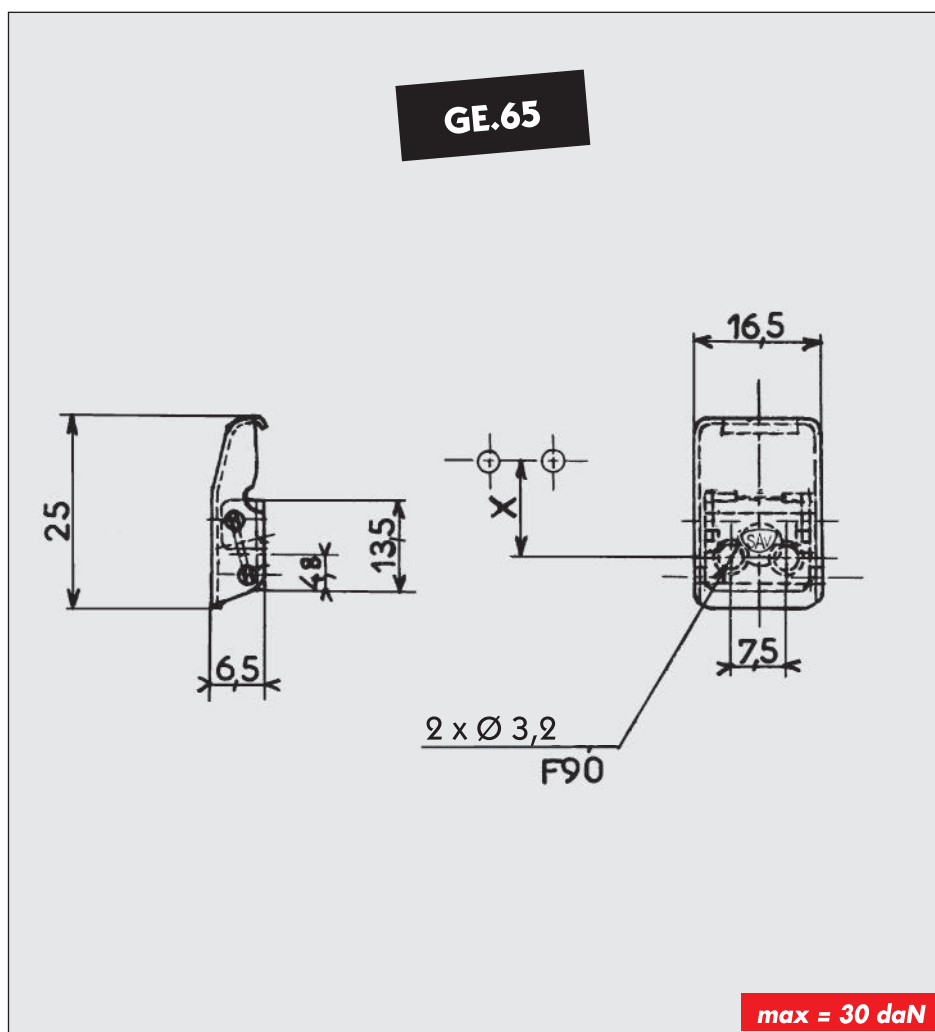
- Approximate fixing position to give 50 daN tension,
- $x = 61.3$ mm
- Recommended Catch Plate : Type AC 113
- Lever : Metal Thickness 2.0 mm
- Base : Metal Thickness 1.5 mm
- Link : Metal thickness 1.5 mm

MATERIAL	FINISH	FIXING	without sealing facility		with sealing facility	
			REFERENCES	kg/100	REFERENCES	
Steel	raw	with holes	GE.61-BR*	4,000	4,400	GE.100-BR*
Steel	raw	without hole	GE.61-ABR	4,040	4,440	GE.100-ABR*
Steel	white zinc plated	with holes	GE.61-ZI	4,000	4,400	GE.100-ZI
Steel	yellow zinc plated	with holes	GE.61-ZB*	4,000	4,400	GE.100-ZB*
St. steel A2	raw	with holes	GE.61-IB	4,000	4,400	GE.100-IB
St. steel A2	raw	without hole	GE.61-AIB*	4,040	4,440	GE.100-AIB*

* References only produced on order



full size



Description :

- Enclosed model, visually attractive.
- Suitable for screw fixing or welding.

Other information :

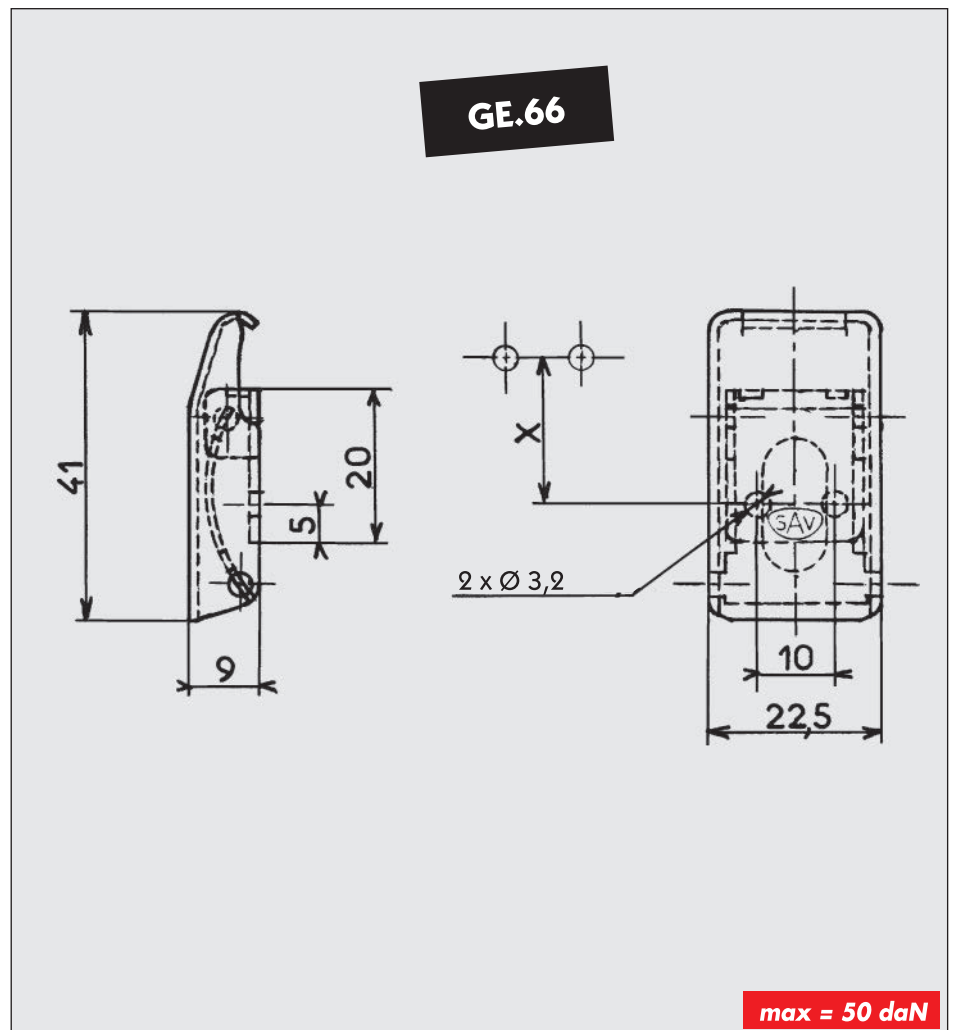
- Approximate fixing position to give 25.5 daN tension, using catch plate AC 162
- $x = 31$ mm
- Recommended Catch Plate : Type AC 162
- Lever : Metal Thickness 0.8 mm
- Base : Metal Thickness 1.0 mm

MATERIAL	FINISH	FIXING	kg/100	REFERENCES
Steel	raw	with holes	0,660	GE.65-ABR
Steel	raw	without hole	0,647	GE.65-BR*
Steel	white zinc plated	with holes	0,647	GE.65-ZI
Steel	yellow zinc plated	with holes	0,647	GE.65-ZB*

* References only produced on order



full size



Description :

- Enclosed model, visually attractive.
- Catch plate butts up against base of latch thus pre-determining fixing position.
- Latch lies flat in open position minimising risk of accidental damage.
- Suitable for screw fixing.

Other information :

- Approximate fixing position to give 45 daN tension, using catch plate AC 163
- $x = 20$ mm
- Recommended Catch Plate : Type AC 163
- Lever : Metal Thickness 1.2 mm
- Base : Metal Thickness type 1.2 mm

MATERIAL	FINISH	FIXING	kg/100	REFERENCES
Steel	raw	without hole	1,995	GE.66-ABR
Steel	raw	with holes	1,980	GE.66-BR*
Steel	white zinc plated	with holes	1,980	GE.66-ZI
Steel	yellow zinc plated	with holes	1,980	GE.66-ZB*
St. steel A2	raw	with holes	1,980	GE.66-IB

* References only produced on order

GE.67

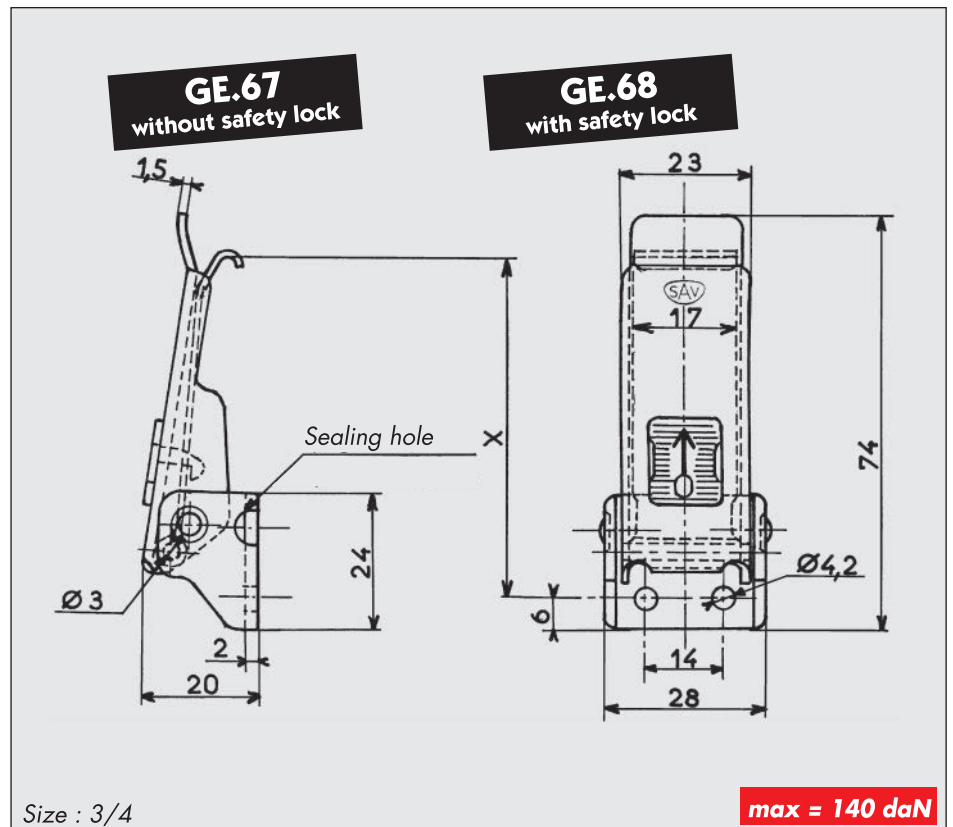


full size

GE.68



full size



■ **Description :**

- Available with or without manual safety lock.
- Latch lies flat in open position minimising risk of accidental damage.
- Can be used without catch plate in certain applications, i.e. locking into grooves etc.
- May be supplied with base reversed, i.e. holes on inside.
- On type GE 68 manual safety button has to be pulled back at the same time as the lever is lifted for the latch to be released.
- Possibility of sealing.

■ **Other information :**

- Approximate fixing position to give 115 daN tension, using catch plate AC 161
- $x = 60.8$ mm
- Recommended Catch Plate : Type AC 113 or AC 161
- Lever : Metal Thickness 1.5 mm
- Base : Metal Thickness 2.0 mm
- Link : Metal thickness 1.2 mm, tempered steel or stainless steel 18/8

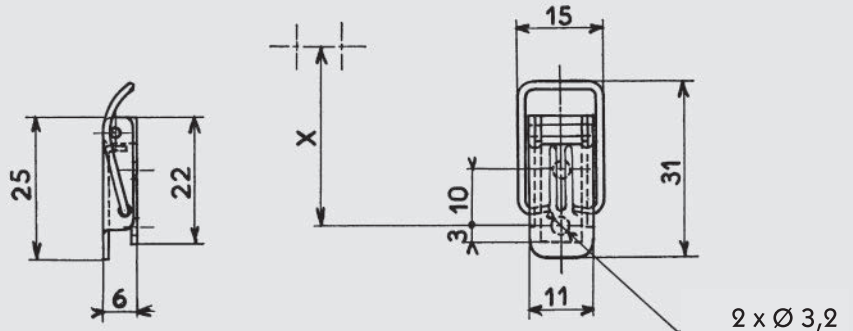
MATERIAL	FINISH	FIXING	kg/100	REFERENCES	kg/100	REFERENCES
Steel	white zinc plated	with holes	5,500	GE.67-ZI	5,600	GE.68-ZI
Steel	yellow zinc plated	with holes	5,500	GE.67-ZB*	5,600	GE.68-ZB*
St. steel A2	raw	with holes	5,500	GE.67-IB	5,600	GE.68-IB
St. steel A2	passivation	with holes	5,500	GE.67-IP*	5,600	GE.68-IP*

* References only produced on order



full size

GE.70



Size : 3/4

max = 30 daN

Description :

- Extremely small lightweight model. Curved wire link permits wider tolerance of fitting dimensions.

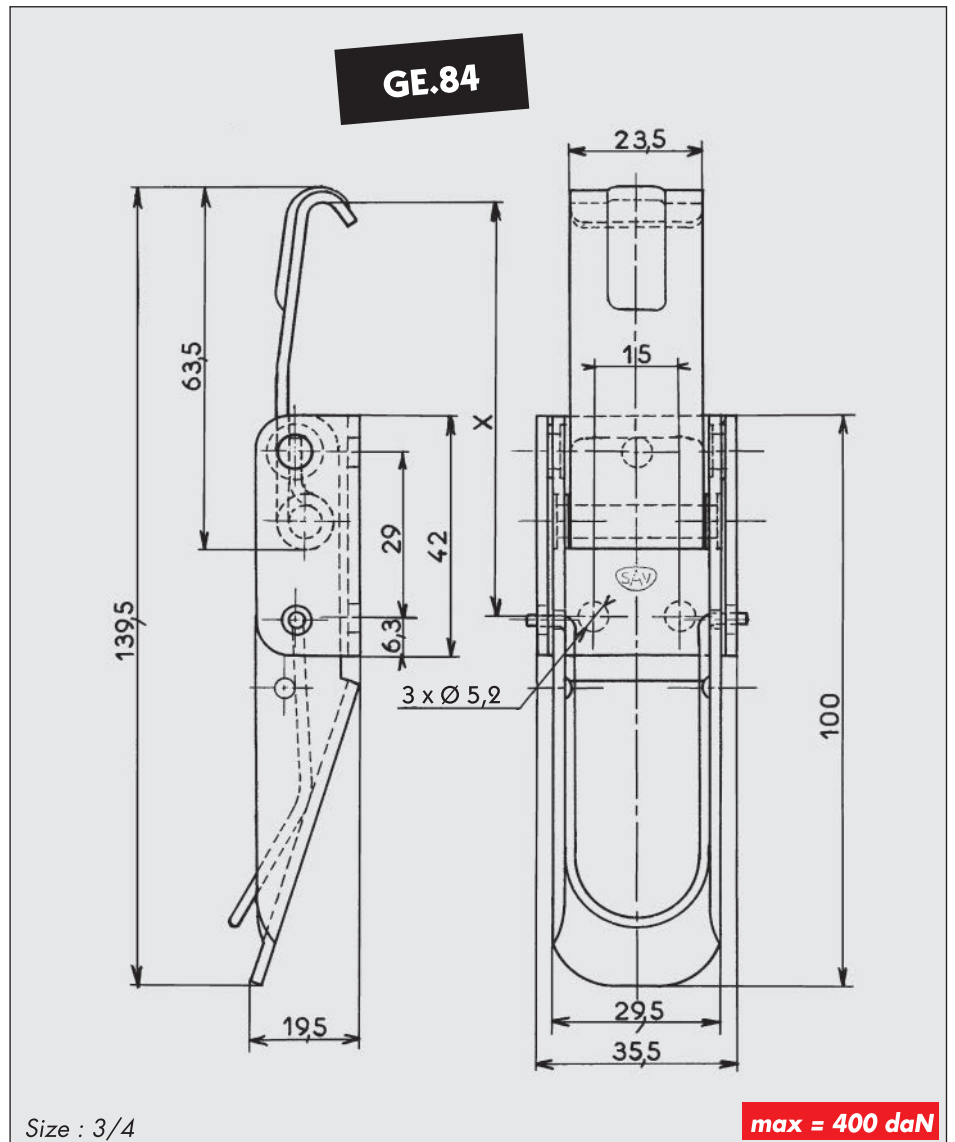
Other information :

- Approximate fixing position to give approximate 15 daN tension, using catch plate AC 166
- $x = 31\text{ mm}$
- Recommended Catch Plate : Type AC 166
- Lever : Metal Thickness 0.8 mm
- Base : Metal Thickness type 1.0 mm
- Link : 1.5 mm diameter, curved piano wire, steel or stainless steel 18/8

MATERIAL	FINISH	FIXING	kg/100	REFERENCES
Steel	white zinc plated	with holes	0,500	GE.70-ZI
Steel	yellow zinc plated	with holes	0,500	GE.70-ZB*
St. steel A2	raw	with holes	0,500	GE.70-IB

* References only produced on order

full size



Description :

- Link sits within the lever when open minimising accidental damage.
- Available with secondary locking spring wire to prevent accidental unlocking - please order separately.
- Possibility of sealing.
- Can be used to hook over a lid or with a catch plate.
- Alternative link lengths available to special order.

Other information :

- Approximate fixing position to give 250 daN tension
- $x = 93$ mm
- Recommended catch plate : AC 167
- Lever : Material thickness 2 mm
- Base : Material thickness 2 mm

- Link : 2 mm tempered steel or stainless.
- Security spring : 2 mm dia. stainless steel spring wire.

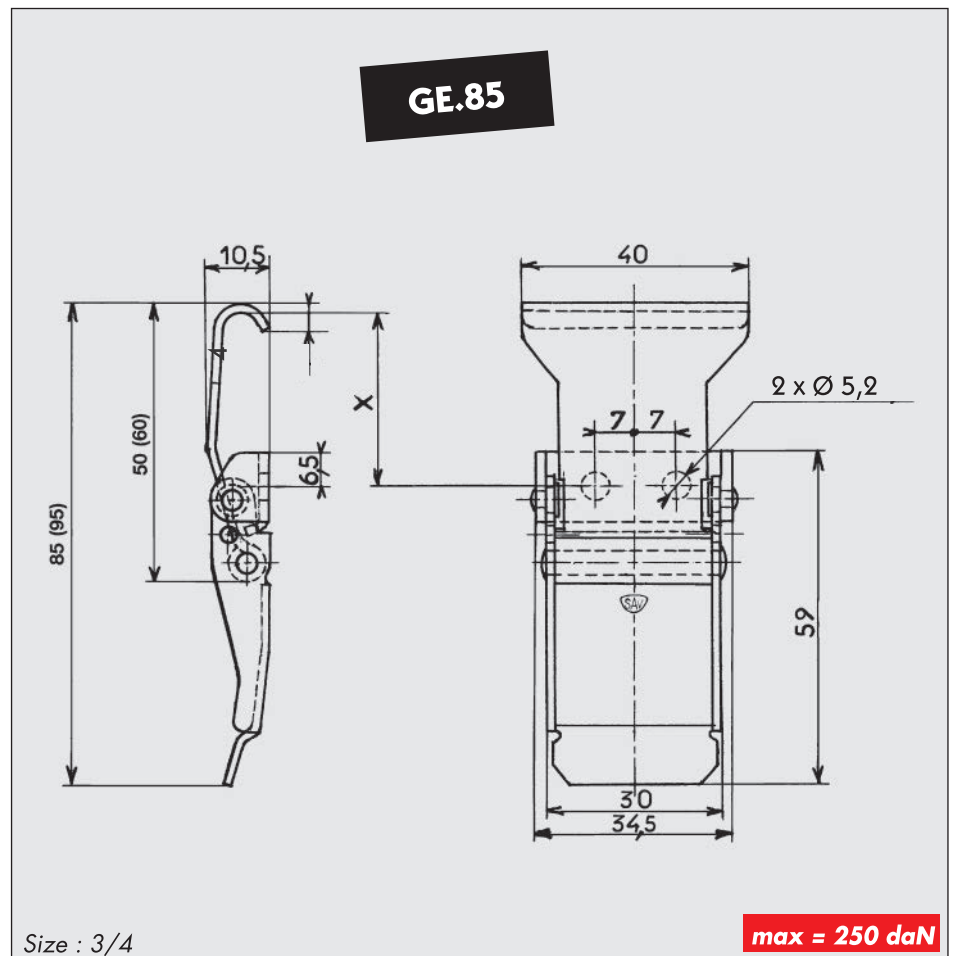
MATIERE	kg/100	REFERENCES
St. steel A2	5,000	AZ.296-IB

MATERIAL	FINISH	FIXING	kg/100	REFERENCES
Steel	raw	without hole	13,000	GE.84-ABR
Steel	white zinc plated	with holes	13,000	GE.84-ZI
Steel	yellow zinc plated	with holes	13,000	GE.84-ZB*
St. steel A2	raw	with holes	13,000	GE.84-IB*

* References only produced on order



full size



Description :

- Its low profile makes this latch especially suitable for equipment requiring a minimum of projection outside the line of the equipment.
- In open position latch folds flat minimising risk of accidental damage.
- Can be utilised for gripping in a groove without use of catch plate.
- Smaller version of type GE 40.
- Assembly rivets stainless steel 18/8 in all cases.
- The stainless steel latch has a reinforced link.

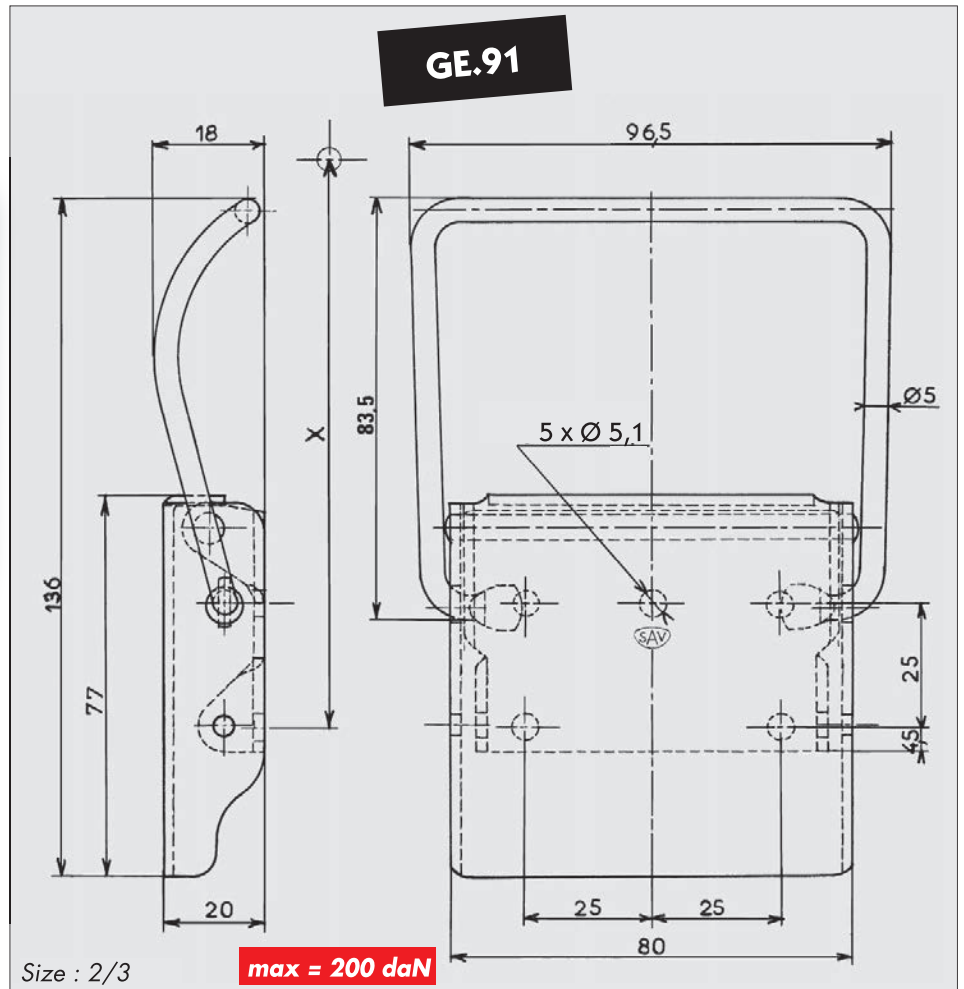
Different length links may be provided depending on quantity.

Other information :

- Approximate fixing position to give 120 daN tension
- $x = 32$ mm
- Ultimate tension : 250 daN
- Recommended Catch Plate : Type AC 171 or AC 160
- Lever : Metal Thickness 1.5 mm
- Base : Metal Thickness 2.0 mm
- Link : Metal thickness 1.5 mm

MATERIAL	FINISH	FIXING	kg/100	REFERENCES
Steel	white zinc plated	with holes	5,700	GE.85-ZI
Steel	yellow zinc plated	with holes	5,700	GE.85-ZB*
St. steel A2	raw	with holes	5,700	GE.85-EIB
Steel	white zinc plated	with holes	5,800	GE.85-FZI
Steel	yellow zinc plated	with holes	5,800	GE.85-FZB*
St. steel A2	raw	with holes	5,800	GE.85-GIB*

* References only produced on order



Description :

- Great flexibility in operation.
- Possibility of sealing.
- Link ends fattened inside the lever to prevent uncoupling.
- Alternative link lengths available to special order

Other information :

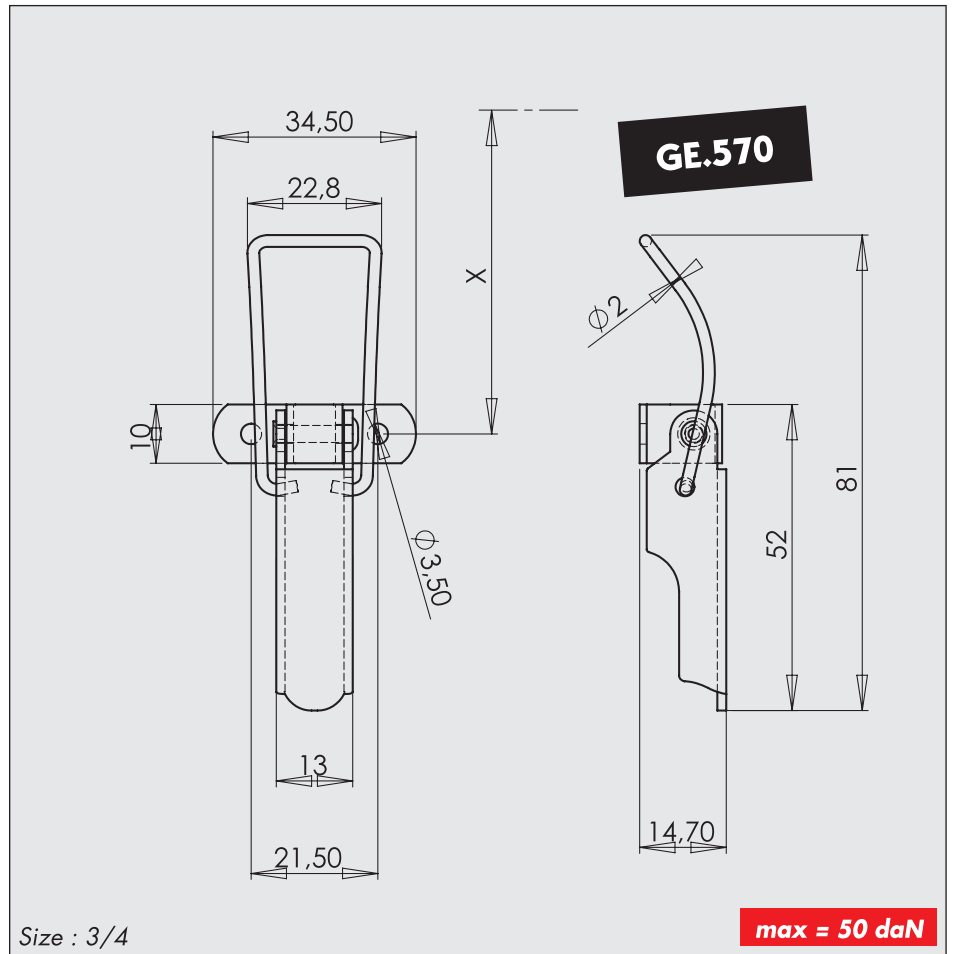
- Approximate fixing position to give 150 daN tension, using catch plate AC164
- $x = 116.7 \text{ mm}$
- Recommended catch plate: AC 164
- lever : Material thickness 2 mm
- Base : Material thickness 2 mm
- Link : 5.0 mm dia. wire.

MATERIAL	FINISH	FIXING	kg/100	REFERENCES
Steel	white zinc plated	with holes	24,500	GE.91-ZI
Steel	yellow zinc plated	with holes	24,500	GE.91-ZB*
Steel	chrome plated	with holes	24,500	GE.91-CH
St. steel A2	raw	with holes	24,500	GE.91-IB

* References only produced on order



full size



Description :

- Great flexibility in operation.
- Permits a large number of operations without relaxation of the link.
- Narrow base plate permits fixing in restricted areas.

Other information :

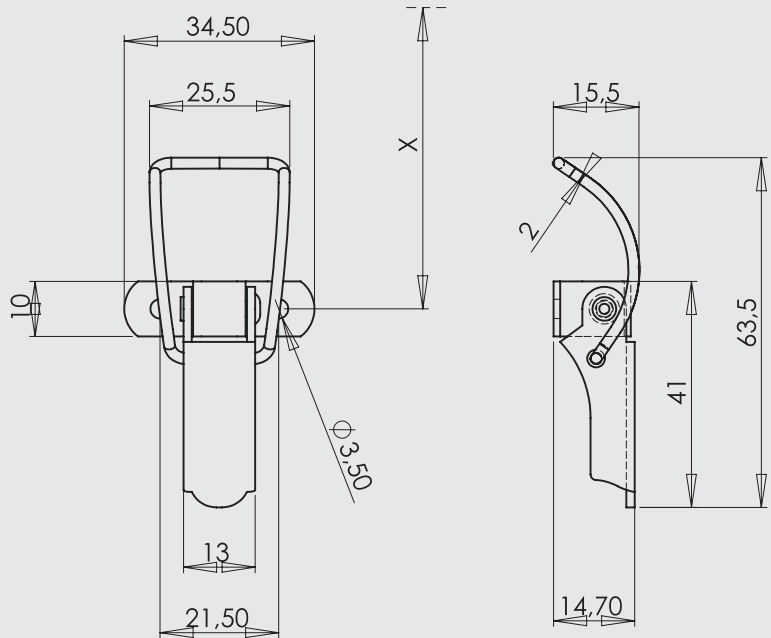
- Approximate fixing position to give 25 daN tension, using catch plate AC 103
- $x = 44,5\text{mm}$
- Recommended catch plate : AC 103
- Lever : Material thickness 1.5 mm
- Base : Material thickness 1.2 mm
- Link : 2 mm dia. spring wire

MATERIAL	FINISH	FIXING	kg/100	REFERENCES
Steel	white zinc plated	with holes	2,200	GE.570-ZI
Steel	yellow zinc plated	with holes	2,200	GE.570-ZB*
St. steel A2	raw	with holes	2,200	GE.570-IB



full size

GE.571



Size : 3/4

max = 50 daN

Description :

- Great flexibility in operation.
- Permits a large number of operations without relaxation of the link.
- Narrow base plate permits fixing in restricted areas.

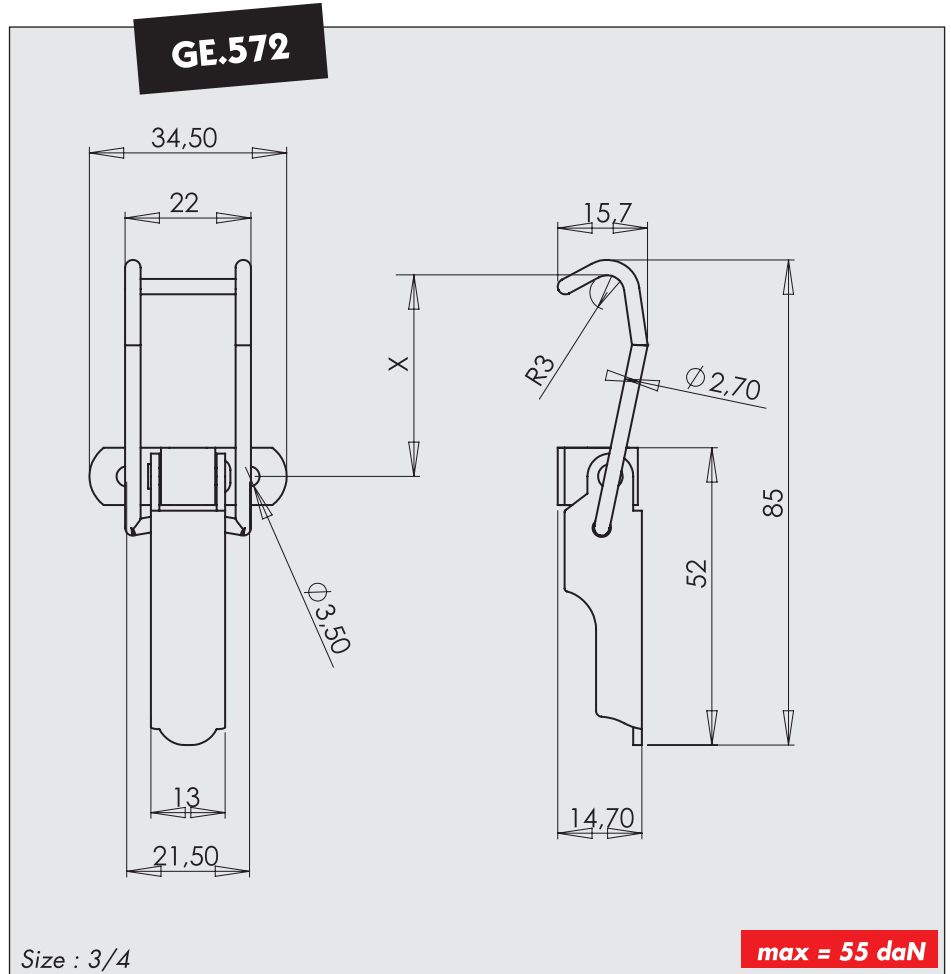
Other information :

- Approximate fixing position to give 25 daN tension, using catch plate AC 121
- $x = 38.6\text{mm}$
- Recommended catch plate : AC 121
- Lever : Material thickness 1.5 mm
- Base : Material thickness 1.2 mm
- Link : 2 mm dia spring wire

MATERIAL	FINISH	FIXING	kg/100	REFERENCES
Steel	white zinc plated	with holes	1,800	GE.571-ZI
Steel	yellow zinc plated	with holes	1,800	GE.571-ZB*
St. steel A2	raw	with holes	1,800	GE.571-IB



full size



Description :

- Great flexibility in operation.
- Permits a large number of operations without relaxation of the link.
- Narrow base plate permits fixing in restricted areas.
- Hook link designed to latch in a groove or over a lid.

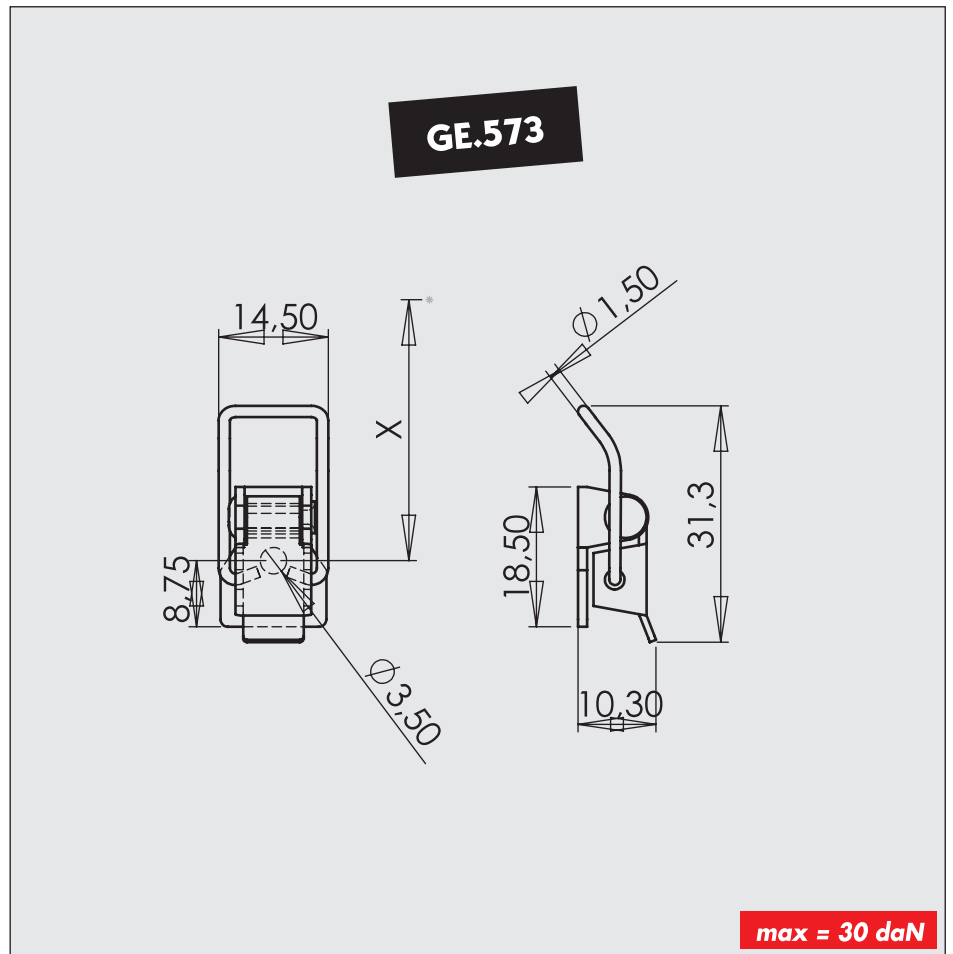
Other information :

- Approximate fixing position to give 40 daN tension.
- $x = 135.5$ mm
- Lever : Material thickness 1.5 mm
- Base : Material thickness 1.2 mm
- Link : 2.7 mm dia. spring wire for steel latches and 2.5 mm dia spring wire for stainless steel.

MATERIAL	FINISH	FIXING	kg/100	REFERENCES
Steel	white zinc plated	with holes	2,400	GE.572-ZI
Steel	yellow zinc plated	with holes	2,400	GE.572-ZB*
St. steel A2	raw	with holes	2,400	GE.572-IB



full size



Description :

- Miniature latch with good flexibility in operation.

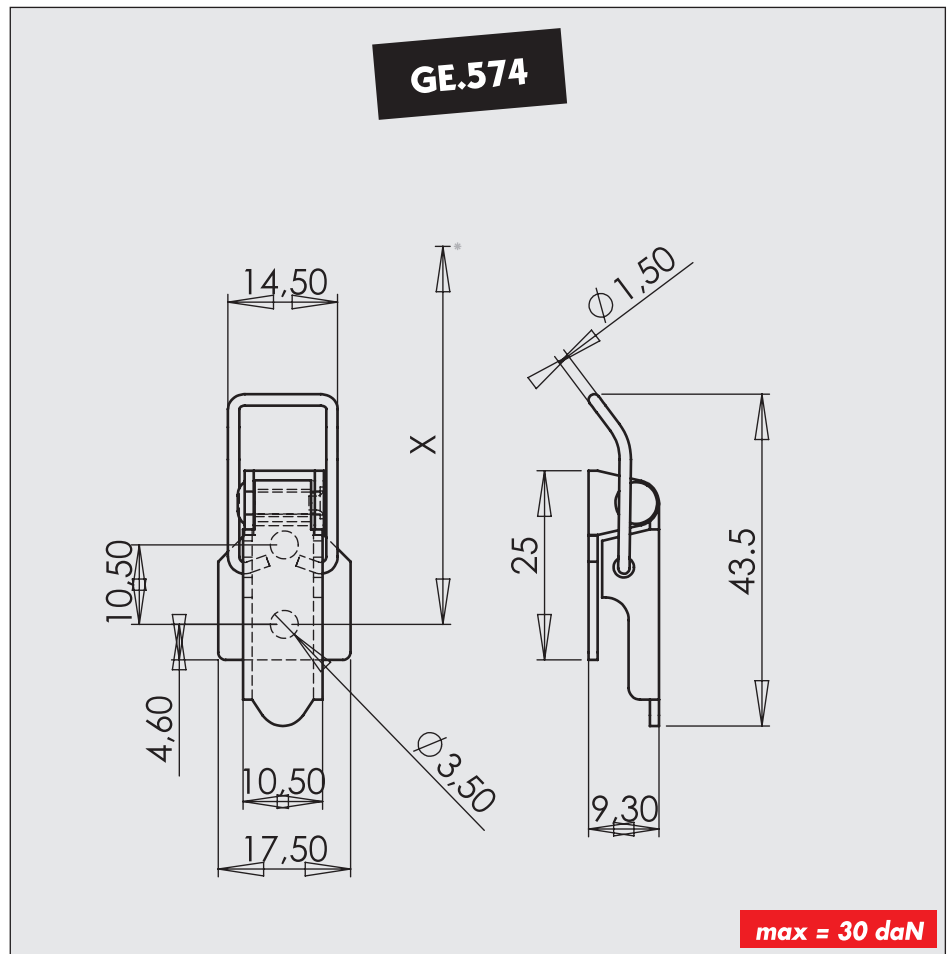
Other information :

- Approximate fixing position to give 15 daN tension, using catch plate AC 166 : $x = 27.3$ mm
- Recommended catch plate : AC 166
- Lever : Material thickness 1.2 mm
- Base : Material thickness 1.2 mm
- Link : 1.5 mm dia. spring wire

MATERIAL	FINISH	FIXING	kg/100	REFERENCES
Steel	white zinc plated	with holes	0,800	GE.573-ZI
Steel	yellow zinc plated	with holes	0,800	GE.573-ZB*
St. steel A2	raw	with holes	0,800	GE.573-IB



full size



Description :

- Small latch with great flexibility in operation.

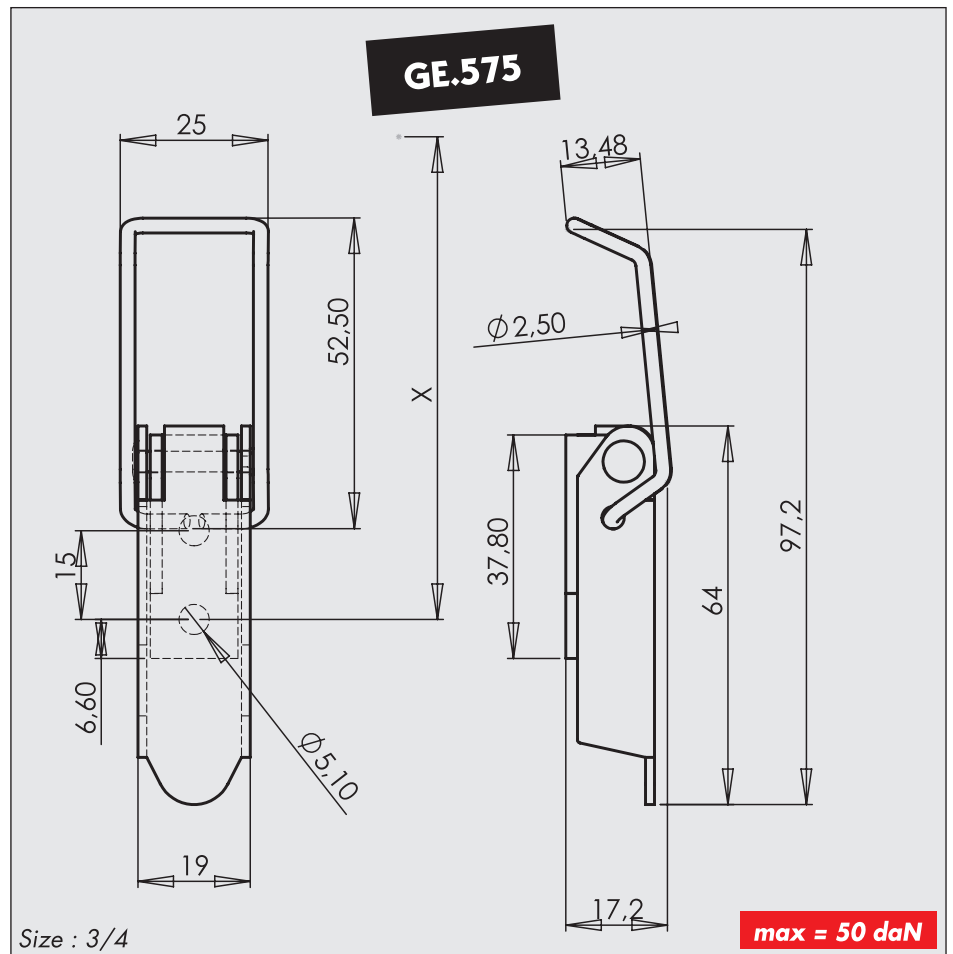
Other information :

- Approximate fixing position to give 15daN tension, using catch plate AC 166 : $x = 37.8$ mm
- Recommended catch plate : AC 166
- Lever : Material thickness 1.2 mm
- Base : Material thickness 1.2 mm
- Link : 1.5 mm dia. spring wire.

MATERIAL	FINISH	FIXING	kg/100	REFERENCES
Steel	white zinc plated	with holes	1,000	GE.574-ZI
Steel	yellow zinc plated	with holes	1,000	GE.574-ZB*
St. steel A2	raw	with holes	1,000	GE.574-IB



full size



Description :

- Great flexibility in operation.
- Permits a large number of operations without relaxation of the link.
- Alternative link lengths available to special order

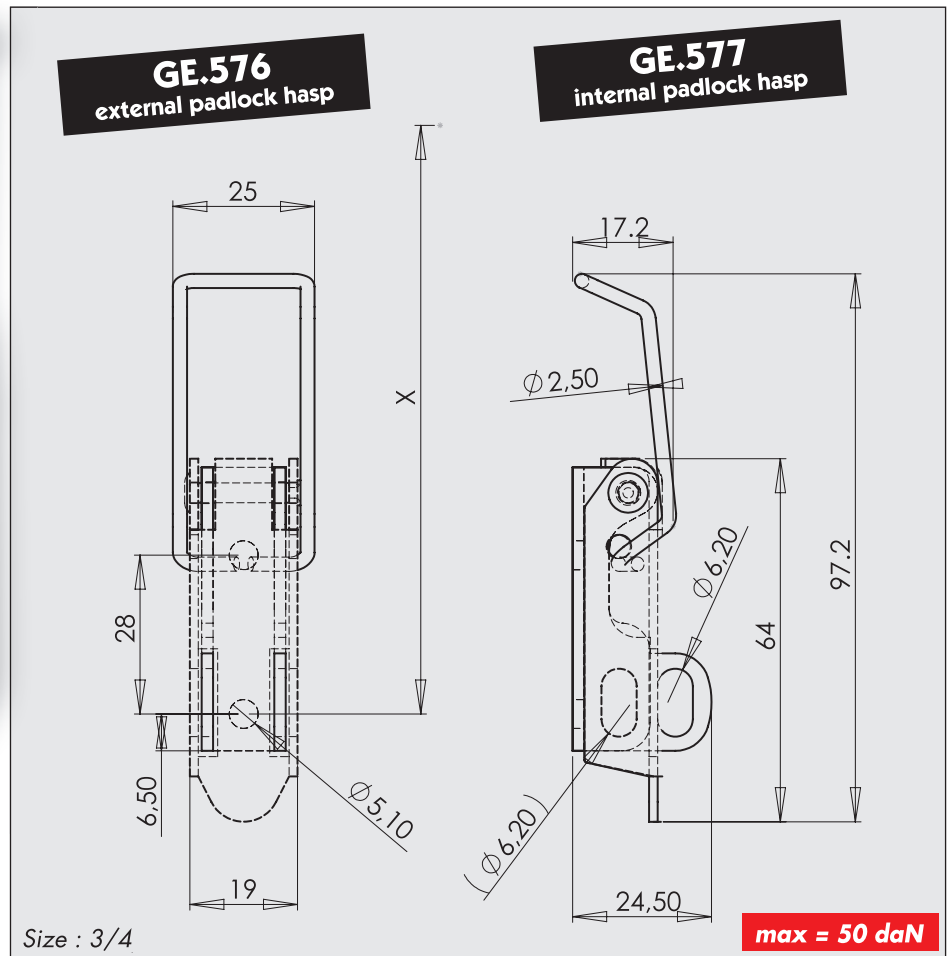
Other information :

- Approximate fixing position to give 35 daN tension, using catch plate AC 101
- $x = 80\text{mm}$
- Recommended catch plate : AC 101
- Lever : Material thickness 1.5 mm
- Base : Material thickness 2 mm
- Link : 2.5 mm dia. spring wire.

MATERIAL	FINISH	FIXING	kg/100	REFERENCES
Steel	white zinc plated	with holes	5,000	GE.575-ZI
Steel	yellow zinc plated	with holes	5,000	GE.575-ZB*
St. steel A2	raw	with holes	5,000	GE.575-IB



full size



Size : 3/4

max = 50 daN

Description :

- Great flexibility in operation.
- Available with internal slots for a padlock hasp or with padlock hasp.
- Alternative link lengths available to special order.

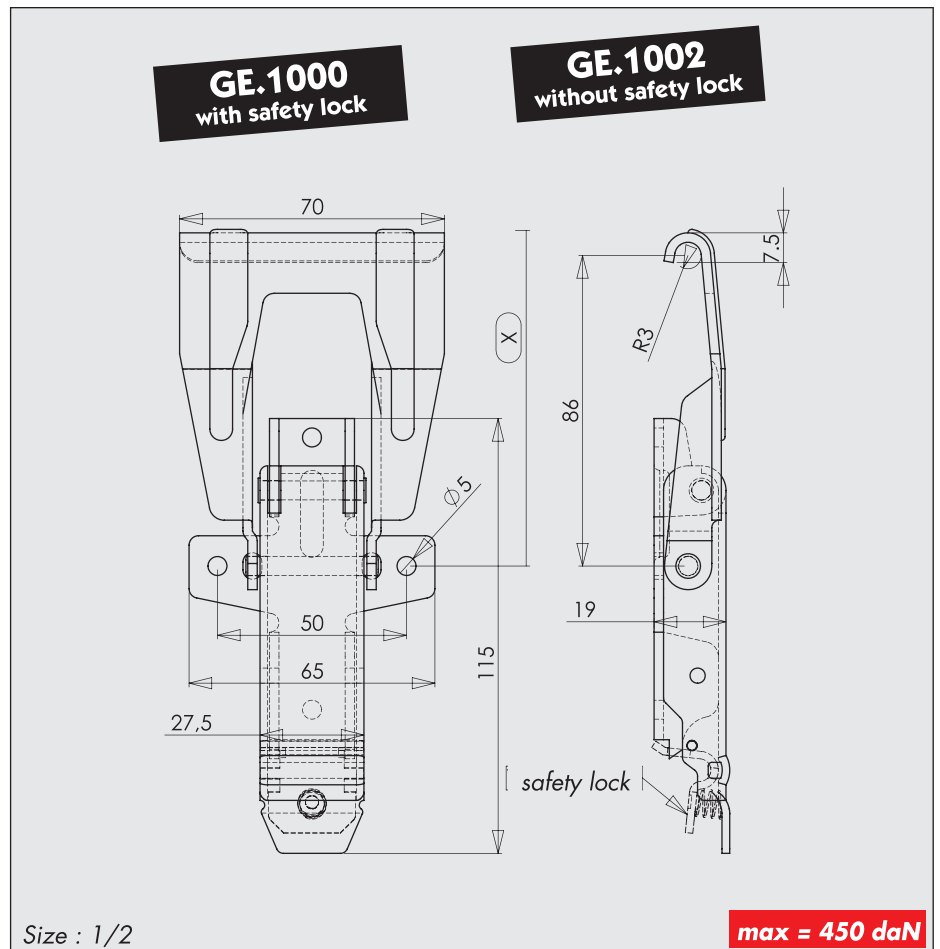
Other information :

- Approximate fixing position to give 35 daN tension, using catch plate AC101
- $x = 93\text{mm}$
- Recommended catch plate : AC101
- Lever : Material thickness 1.5 mm
- Base : Material thickness 2 mm
- Link : 2.5 mm dia. spring wire.

MATERIAL	FINISH	FIXING	POIDS THEORIQUE kg / cent	REFERENCES	kg/100	REFERENCES
Steel	white zinc plated	with holes	5,300	GE.576-ZI	5,200	GE.577-ZI
Steel	yellow zinc plated	with holes	5,300	GE.576-ZB*	5,200	GE.577-ZB*
St. steel A2	raw	with holes	5,300	GE.576-IB	5,200	GE.577-IB



full size



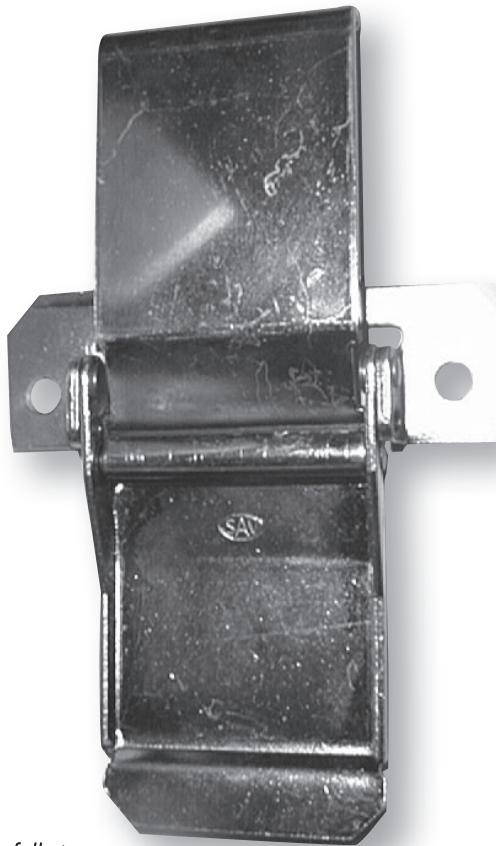
Description :

- Supplied with or without manual safety lock.
- The manual safety lock prevents accidental releasing of the latch.
- The link lies flat against the body of the latch when open.
- Possibility of sealing.
- Can latch onto a catch plate or into a recess in the container lid.
- Large surface of the link hook spreads the load on the latch over a large area.
- High strength latch.

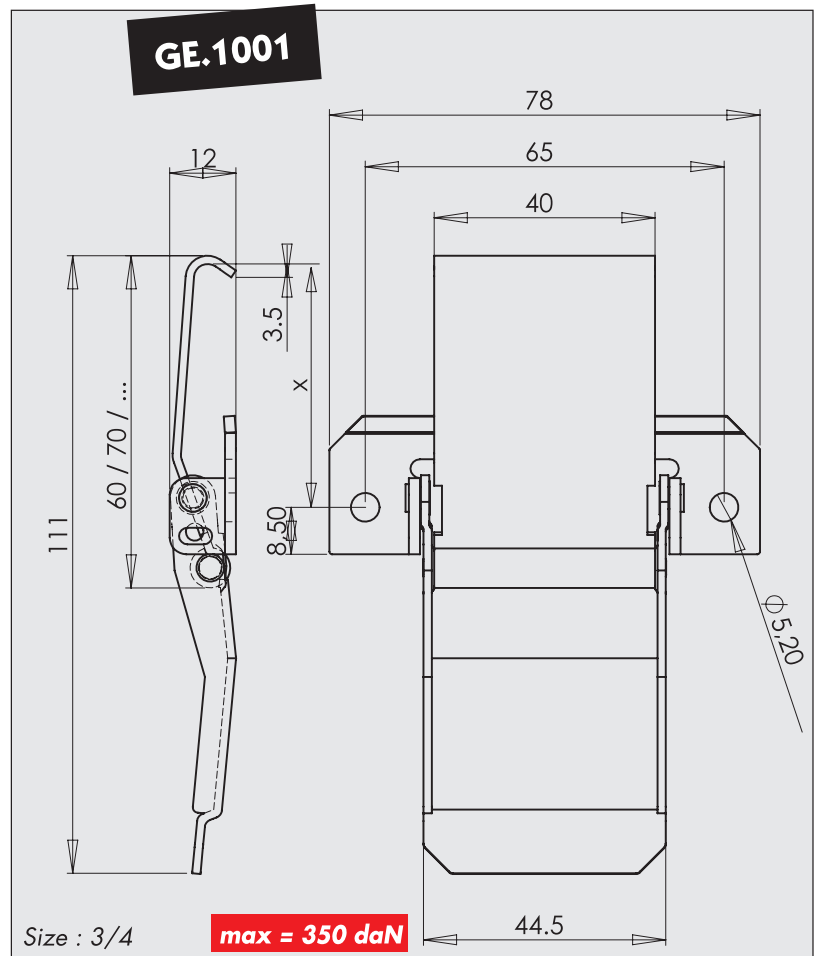
Other information :

- Approximate fixing position to give 300 daN tension, using catch plate AC 178 : $x = 90$ mm
- Maximum operating tension prior to deformation : 450 daN
- Recommended catch plate : AC 178
- Lever : Material thickness 2 mm
- Base : Material thickness 2.5 mm
- Links : Material thickness 2.5 mm

MATERIAL	FINISH	FIXING	kg/100	REFERENCES
Steel	white zinc plated	with holes	25,400	GE.1000-ZI*
Steel	yellow zinc plated	with holes	25,400	GE.1000-ZB*
St. steel A2	raw	with holes	25,400	GE.1000-IB*
Steel	white zinc plated	with holes	25,400	GE.1002-ZI
Steel	yellow zinc plated	with holes	25,400	GE.1002-ZB*
St. steel A2	raw	with holes	25,400	GE.1002-IB



full size



Description :

- similar to type GE 40 but with an extended base plate to spread loads under extreme forces.
- Suitable for use in areas of low clearance due to the latch's low profile.
- The link lies flat when open minimising the risk of accidental damage.
- Supplied in two lengths.
- Possibility of sealing.
- Can be used to grip into a groove or with a catch plate.

Other information :

- Approximate fixing position to give 250 daN tension, with 60 mm link using catch plate AC 160
- $x = 48.5\text{mm}$, with a 70mm link $x = 58.5\text{mm}$
- Recommended catch plate : AC 160
- Lever : Material thickness 1.5 mm
- Base : Material thickness 2 mm
- Link : Material thickness 1.5 mm

MATERIAL	FINISH	FIXING	kg/100	REFERENCES
Steel	white zinc plated	with holes	10,000	GE.1001-ZI
Steel	yellow zinc plated	with holes	10,000	GE.1001-ZB*
Steel	yellow zinc plated	with holes	10,000	GE.1001-FZB*
St. steel A2	raw	with holes	10,000	GE.1001-EIB
St. steel A2	raw	with holes	10,000	GE.1001-GIB
St. steel A2	polished	with holes	10,000	GE.1001-GIP*

GE.1003

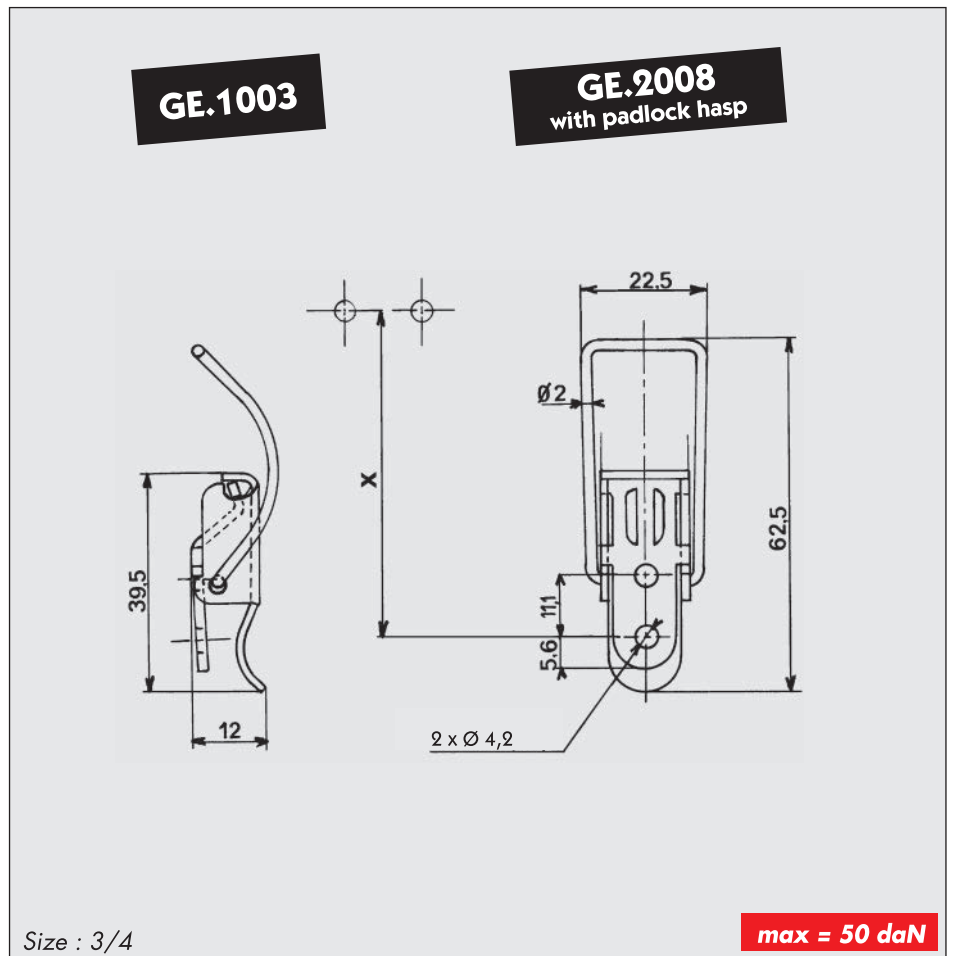


full size

GE.2008



full size



Size : 3/4

max = 50 daN

Description :

- Great flexibility in operation.
- Permits a large number of operations without relaxation of the link.

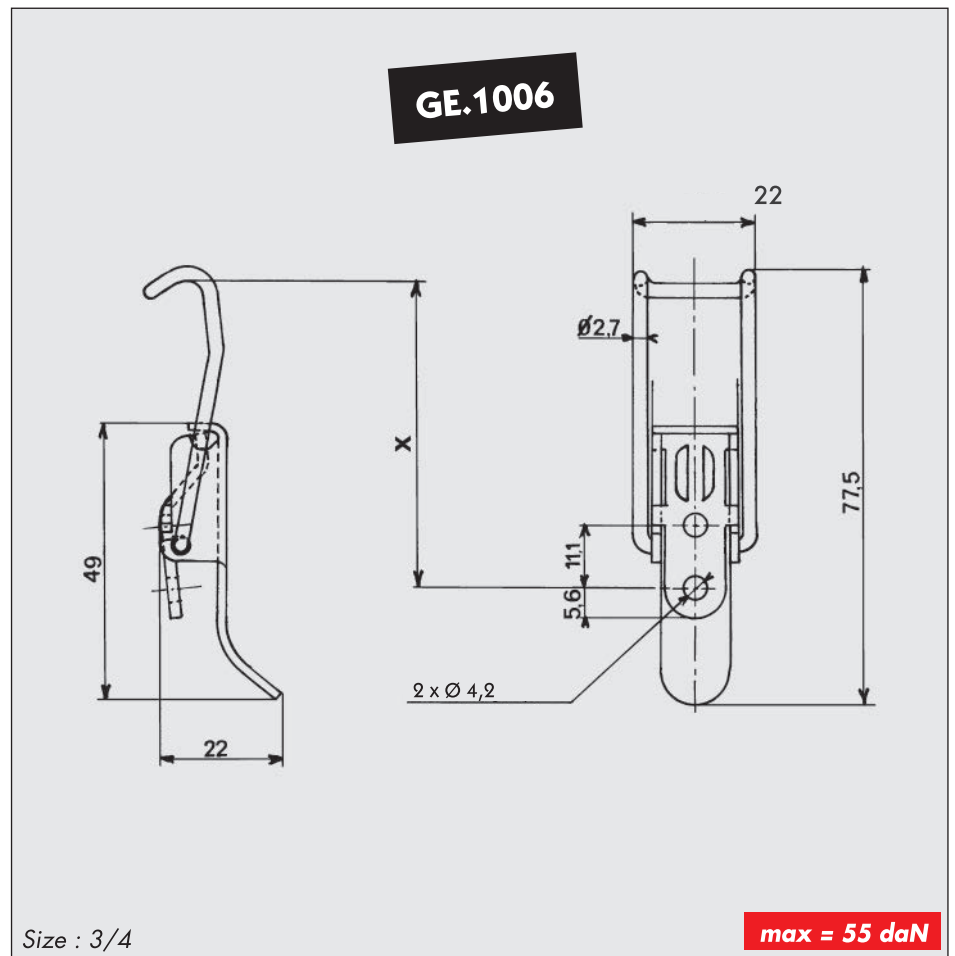
Other information :

- Approximate fixing position to give 35 daN tension with AC.103
- $x = 65.5\text{mm}$
- Lever : Material thickness 1.5 mm
- Base : Material thickness 2 mm
- Link : 2 mm dia. spring wire

MATERIAL	FINISH	FIXING	POIDS THEORIQUE kg / cent	REFERENCES	kg/100	REFERENCES
Steel	white zinc plated	with holes	2,050	GE.1003-ZI	2,150	GE.2008-ZI
Steel	yellow zinc plated	with holes	2,050	GE.1003-ZB*	2,150	GE.2008-ZB*
St. steel A2	raw	with holes	2,050	GE.1003-IB	2,150	GE.2008-IB



full size



Description :

- Great flexibility in operation.
- Permits a large number of operations without relaxation of the link.
- Hook link designed to latch in a groove or over a lid.

Other information :

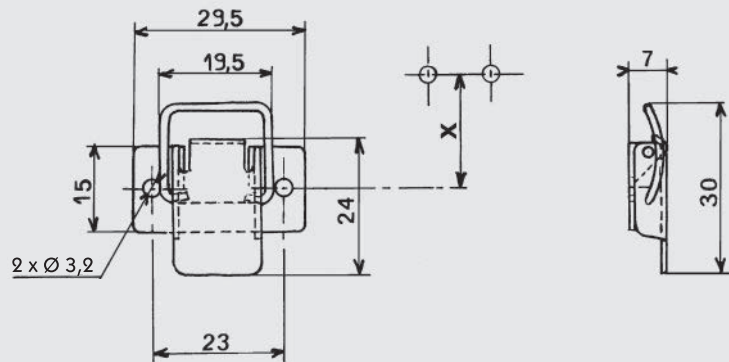
- Approximate fixing position to give 40 daN tension
- $x = 56.6\text{mm}$
- Lever : Material thickness 1.5 mm
- Base : Material thickness 2 mm
- Link : 2.7 mm dia. spring wire for steel latches and 2.5 mm dia. spring wire for stainless

MATERIAL	FINISH	FIXING	kg/100	REFERENCES
Steel	white zinc plated	with holes	2,500	GE.1006-ZI
Steel	yellow zinc plated	with holes	2,500	GE.1006-ZB*
St. steel A2	raw	with holes	2,400	GE.1006-IB



full size

GE.1018



Size : 3/4

max = 30 daN

Description :

- Small compact design.
- Curved wire permits wider tolerance of fitting dimensions.
- Good resistance to wear.
- Suitable for screw fixing or welding.

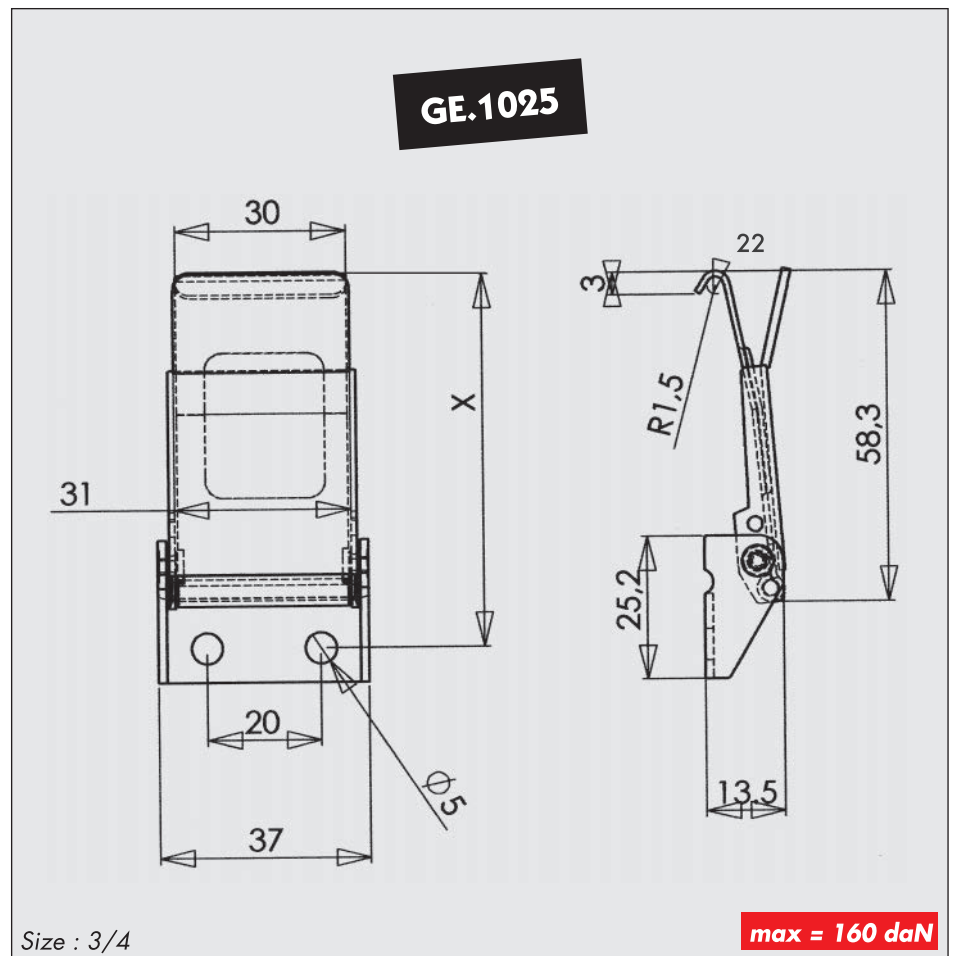
Other information :

- Approximate fixing position to give approximate 15 daN tension, using catch plate AC 118
- $x = 20.1$ mm
- Recommended Catch Plate : Type AC 118
- Lever : Metal Thickness 0.8 mm
- Base : Metal Thickness type 1.0 mm
- Link : 1.5 mm diameter, curved piano wire, steel or stainless 18/8

MATERIAL	FINISH	FIXING	kg/100	REFERENCES
Steel	raw	with holes	0,620	GE.1018-ABR*
Steel	yellow zinc plated	with holes	0,630	GE.1018-ZB*
Steel	white zinc plated	with holes	0,630	GE.1018-ZI
St. steel A2	raw	with holes	0,630	GE.1018-IB
St. steel A2	raw	with holes	0,620	GE.1018-AIB*
St. steel A2	polished	with holes	0,623	GE.1018-IP*



full size



Description :

- Suitable for use in areas of low clearance due to the latch's low profile.
- The link lies flat when opening minimising the risk of accidental damage.
- Possibility of sealing.
- Alternative link lengths available to special order.

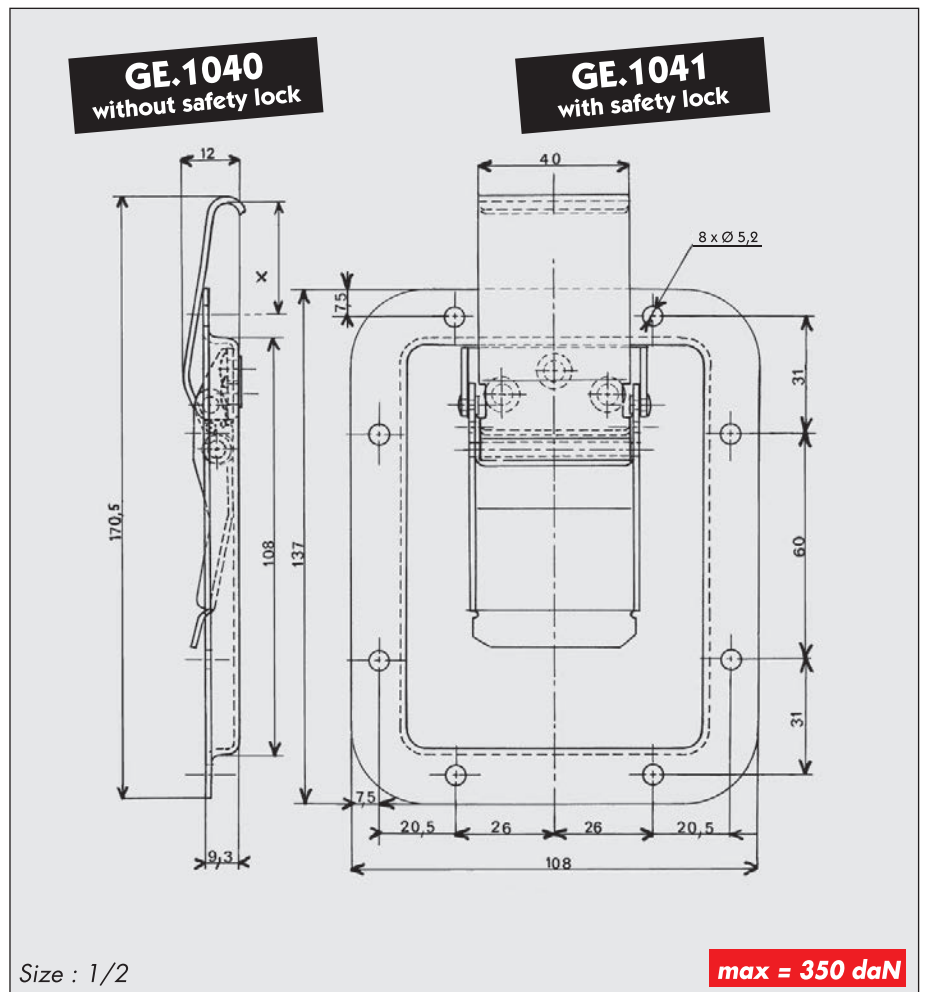
Other information :

- Approximate fixing position to give 50 daN tension, using catch plate AC 179
- $x = 65$ mm
- Recommended catch plate : AC 179
- Lever : Material thickness 1.5 mm
- Base : Material thickness 2 mm
- Link : Material thickness 1.5 mm

MATERIAL	FINISH	FIXING	kg/100	REFERENCES
Steel	white zinc plated	with holes	5,700	GE.1025-ZI
Steel	yellow zinc plated	with holes	5,700	GE.1025-ZB*
St. steel A2	raw	with holes	5,700	GE.1025-IB
St. steel A2	polished	with holes	5,700	GE.1025-IP*



full size



Description :

- Similar to type F40 but on a recessed plate.
- Use with recessed catch plate AC 1160 and one of our range of recessed handles.
- Supplied with manual safety lock.
- Please see type GE 41 for details of the safety lock which is incorporated into this latch.
- Suitable for use in areas of low clearance due to the latch's ultra low profile.
- The link lies flat when open minimising the risk of accidental damage.
- Possibility of sealing.
- Alternative link lengths are available to special order.
- Stainless steel latches have reinforced links.

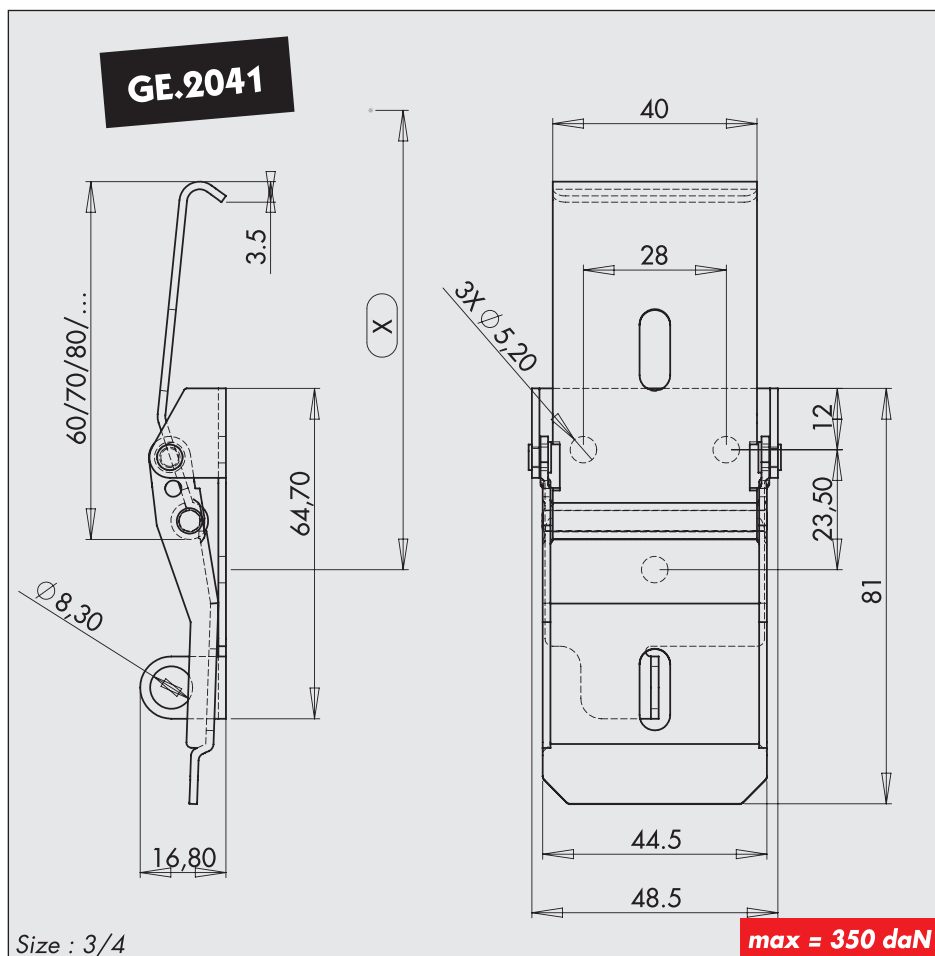
Other information :

- Approximate fixing position to give 250 daN tension
- $x = 33\text{mm}$
- Recommended catch plate : AC 1160
- Lever : Material thickness 1.5 mm
- Base : Material thickness 2.0 mm
- Link : Material thickness 1.5 mm
- Recess Plate : Material thickness 1.2 mm

MATERIAL	FINISH	FIXING	kg/100	REFERENCES
Steel	white zinc plated	with holes	21,900	GE.1040-FZI
Steel	yellow zinc plated	with holes	21,900	GE.1040-FZB*
St. steel A2	raw	with holes	21,800	GE.1040-EIB
Steel	white zinc plated	with holes	21,900	GE.1041-FZI
Steel	yellow zinc plated	with holes	21,900	GE.1041-FZB*
St. steel A2	raw	with holes	21,800	GE.1041-EIB*



full size



Description :

- Similar to type GE 40 but with padlock hasp.
- Suitable for use in areas of low clearance due to the latch's low profile.
- The link lies flat when open minimising the risk of accidental damage.
- Supplied in two link lengths.
- Possibility of sealing.
- Can be used to grip into a groove or with a catch plate.
- Alternative link lengths available to special order.
- Stainless steel latches have reinforced links.

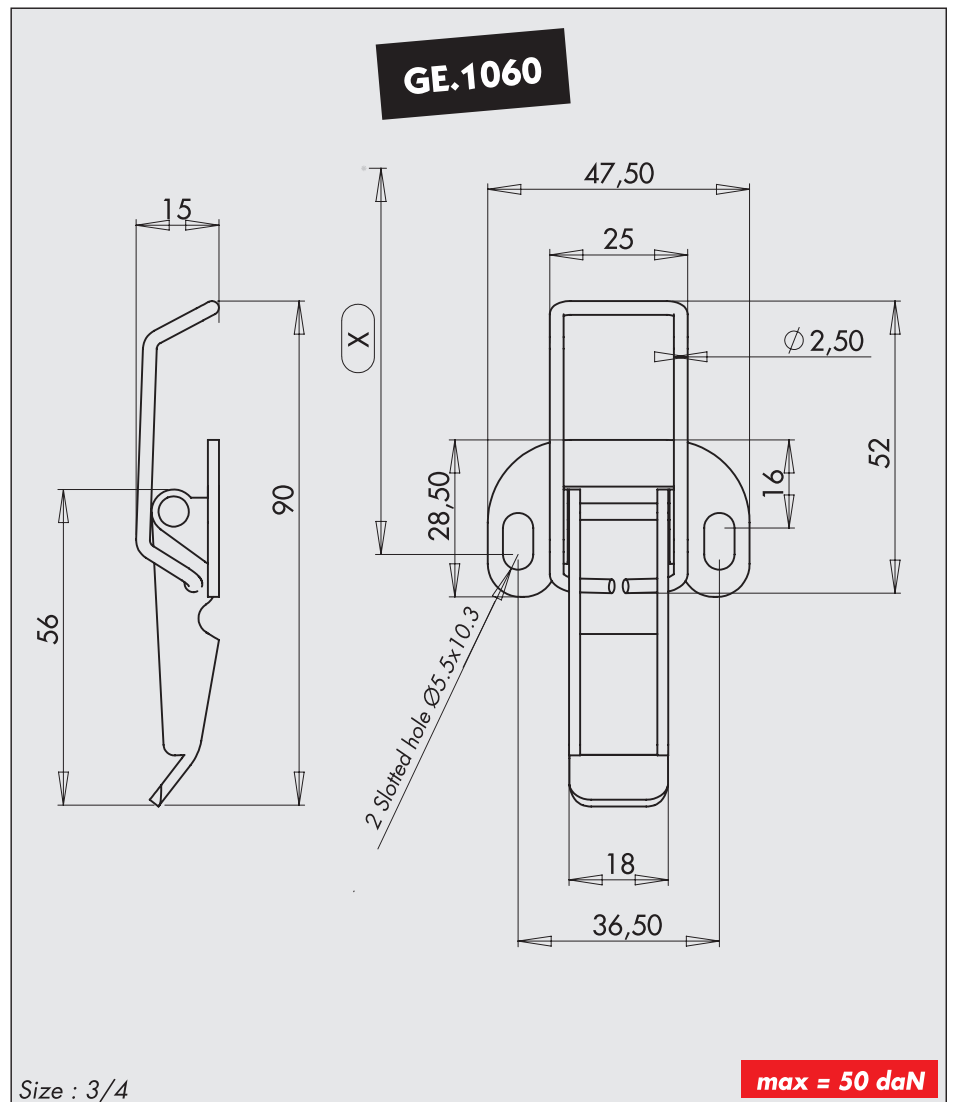
Other information :

- Approximate fixing position to give 250 daN tension, with 60mm link using catch plate AC 160
- $x = 65.6$ mm, with a 70mm link $x = 75.6$ mm
- Recommended catch plate: AC 160
- Lever : Material thickness 1.5 mm
- Base : Material thickness 2 mm
- Link : Material thickness 1.5 mm

MATERIAL	FINISH	FIXING	kg/100	REFERENCES
Steel	white zinc plated	with holes	10,200	GE.2041-ZI
Steel	yellow zinc plated	with holes	10,200	GE.2041-ZB*
Steel	white zinc plated	with holes	10,800	GE.2041-FZI
Steel	yellow zinc plated	with holes	10,800	GE.2041-FZB*
St. steel A2	raw	with holes	10,800	GE.2041-EIB*
St. steel A2	raw	with holes	10,200	GE.2041-GIB*
St. steel A2	polished	with holes	10,200	GE.2041-GIP*



full size



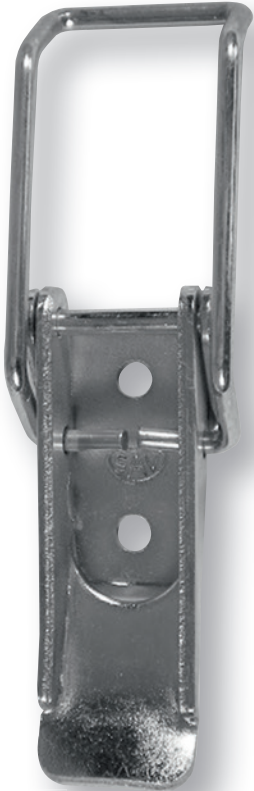
Description :

- Great flexibility in operation.
- Alternative link lengths available to special order

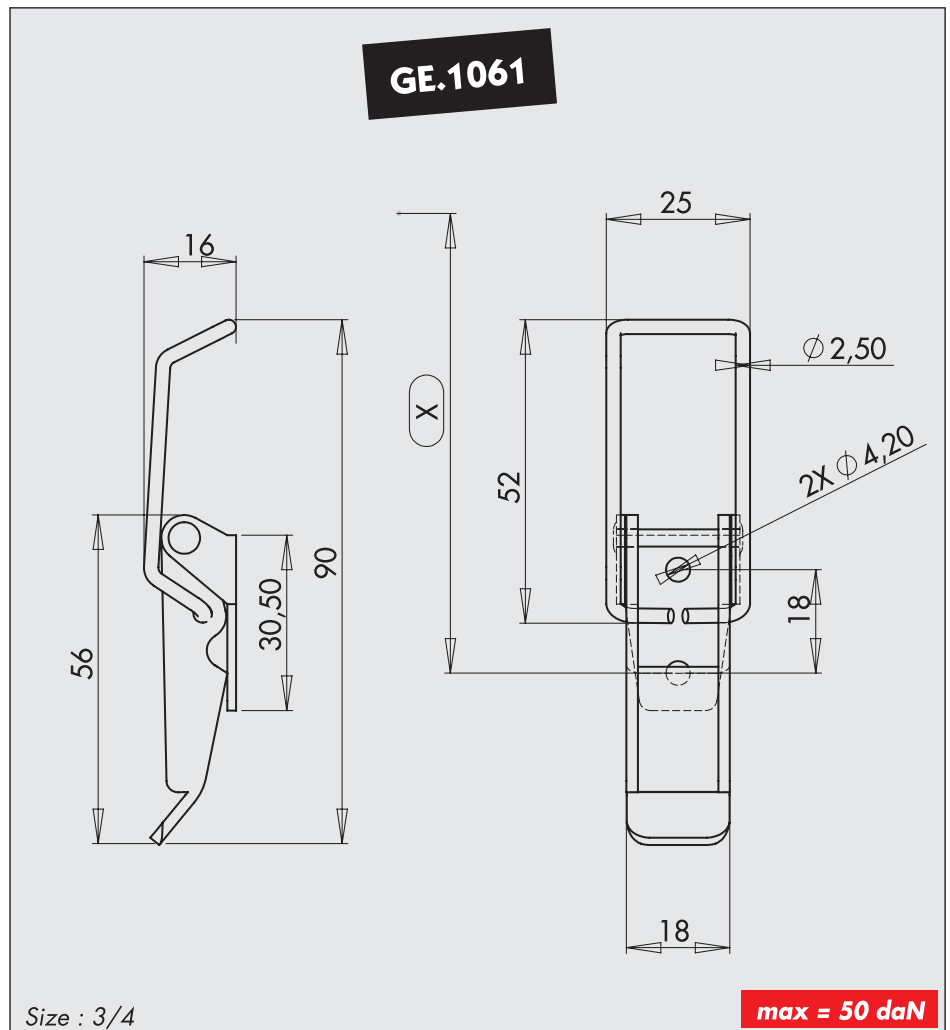
Other information :

- Approximate fixing position to give 30 daN tension, using catch plate AC 101
- $x = 58$ mm
- Recommended catch plate : AC 101
- Lever : Material thickness 1.5 mm
- Base : Material thickness 2 mm
- Link : 2.5 mm dia. spring wire

MATERIAL	FINISH	FIXING	kg/100	REFERENCES
Steel	raw	with holes	4,000	GE.1060-BR*
Steel	white zinc plated	with holes	4,000	GE.1060-ZI
Steel	yellow zinc plated	with holes	4,000	GE.1060-ZB*
St. steel A2	raw	with holes	4,000	GE.1060-IB*



full size



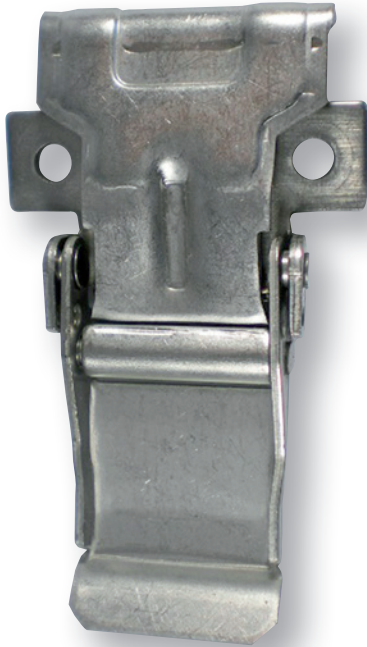
Description :

- Great flexibility in operation.
- Link lies flat when open minimising the risk of accidental damage.
- Alternative link lengths available to special order

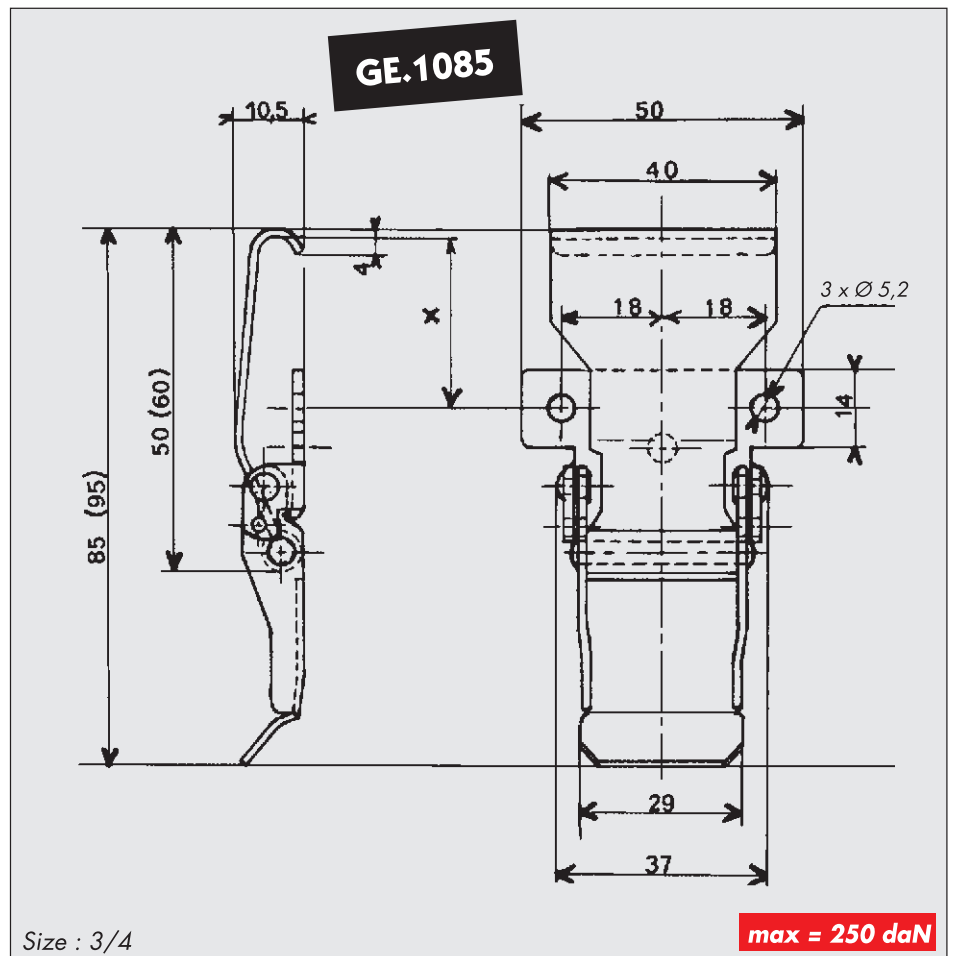
Other information :

- Approximate fixing position to give 30 daN tension, using catch plate AC 101
- $x = 75$ mm
- Recommended catch plate : AC 101
- Lever: Material thickness 2 mm
- Base: Material thickness 1.5 mm
- Link : 2.5 mm dia. spring wire

MATERIAL	FINISH	FIXING	kg/100	REFERENCES
Steel	raw	with holes	3,800	GE.1061-BR*
Steel	raw	with holes	3,800	GE.1061-ABR
Steel	white zinc plated	with holes	3,800	GE.1061-ZI
Steel	yellow zinc plated	with holes	3,800	GE.1061-ZB*
St. steel A2	raw	with holes	3,800	GE.1061-IB
St. steel A2	raw	with holes	3,800	GE.1061-AIB*



full size



Size : 3/4

max = 250 daN

Description :

- Its low profile makes this latch especially suitable for equipment requiring a minimum of projection outside the line of the equipment.
- In open position latch folds flat minimising risk of accidental damage.
- Can be utilised for gripping in a groove without use of catch plate.
- Smaller version of type GE 40.

- Assembly rivets stainless steel 18/8 in all cases.
- The stainless steel latch has a reinforced link.
- Different length links may be provided depending on quantity.

Other information :

- Approximate fixing position to give 120 daN tension
- $x = 32.3$ mm
- Recommended Catch Plate : Type AC 171 or AC 160
- Lever : Metal Thickness 1.5 mm
- Base : Metal Thickness 2.0 mm
- Link : Metal thickness 1.5 mm

Other version : GE.1085 F :

- With tempered steel link length 60 mm

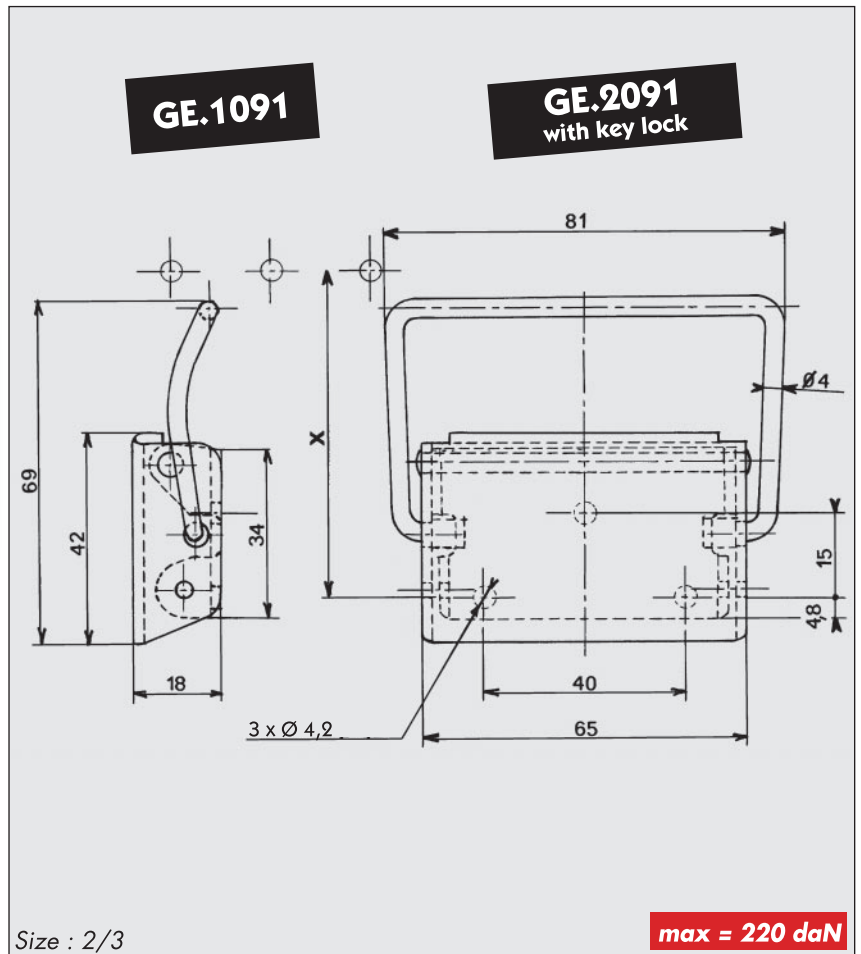
Other version : GE.1085 G :

- With stainless steel link length 60 mm

MATERIAL	FINISH	FIXING	kg/100	REFERENCES
Steel	raw	without hole	6,501	GE.1085-ABR*
Steel	white zinc plated	with holes	6,400	GE.1085-ZI
Steel	yellow zinc plated	with holes	6,400	GE.1085-ZB*
St. steel A2	raw	with holes	6,400	GE.1085-EIB



full size



Size : 2/3

max = 220 daN

Description :

- Lockable with key latch.
- Great flexibility in operation.
- Possibility of sealing.
- Link ends flattened inside the lever to prevent uncoupling.
- Alternative link lengths available to special order.

Other information :

- Approximate fixing position to give 100 daN tension, using catch plate AC 172
- $x = 69.5$ mm
- Recommended catch plate : AC 172
- Lever : Material thickness 2 mm
- Base : Material thickness 2 mm
- Link : 4 mm dia. wire

MATERIAL	FINISH	FIXING	kg/100	REFERENCES	
Steel	raw	without hole	12,000	GE.1091-ABR*	GE.2091-ZI*
Alloy	raw	with holes	5,915	GE.1091-AL*	
Steel	white zinc plated	with holes	11,934	GE.1091-ZI	
Steel	yellow zinc plated	with holes	11,934	GE.1091-ZB*	
St. steel A2	raw	with holes	11,934	GE.1091-IB	

Small lever

GE.2085



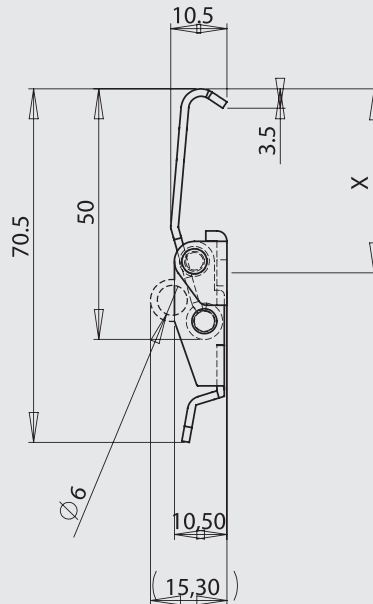
full size

GE.2086

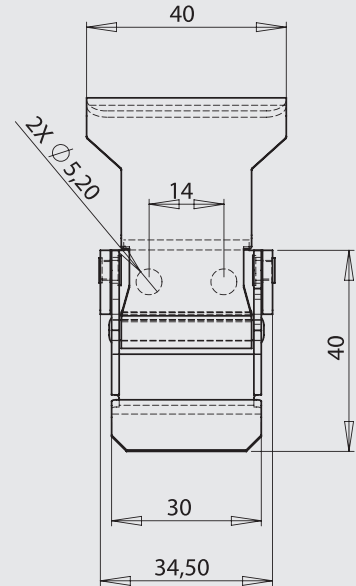


full size

GE.2085
without padlock hasp



GE.2086
with padlock hasp



Size : 3/4

max = 250 daN

Description :

- Smaller version of type GE 85
- Alternative link lengths available to special order.
- Stainless steel latches have reinforced links.

Other information :

- Approximate fixing position to give 120 daN tension, $x = 32$ mm.
- Lever : Material thickness 1.5 mm
- Base : Material thickness 2 mm
- Link : Material thickness 1.5 mm

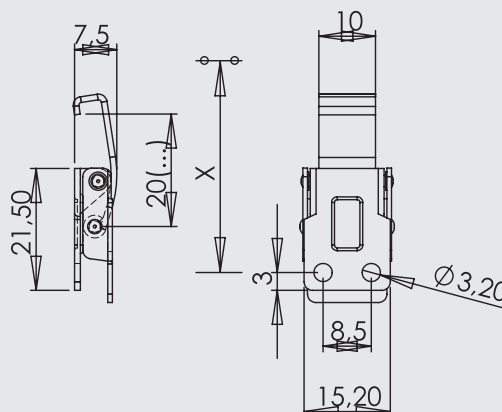
MATERIAL	FINISH	FIXING	kg/100	REFERENCES	
Steel	white zinc plated	with holes	5,700	GE.2085-ZI	GE.2086-ZI
Steel	yellow zinc plated	with holes	5,700	GE.2085-ZB*	GE.2086-ZB*
St. steel A2	raw	with holes	5,700	GE.2085-EIB	GE.2086-EIB

GE.2018



full size

GE.2018

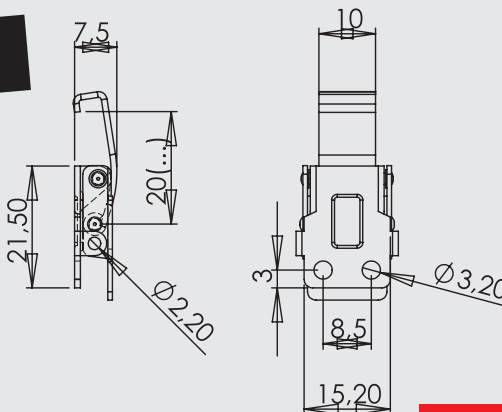


GE.2028



full size

GE.2028
with sealing facility



Size : 3/4

max = 30 daN

Description :

- GE 2018 without sealing facility.
- GE 2028 with sealing facility.
- Miniaturized model.
- Curved wire links permits wider tolerance of fitting dimensions.
- Available in a wide variety of finishes and materials.
- This model is similar to type GE 60 but slightly smaller. Suitable for screw fixing or welding.

Other information :

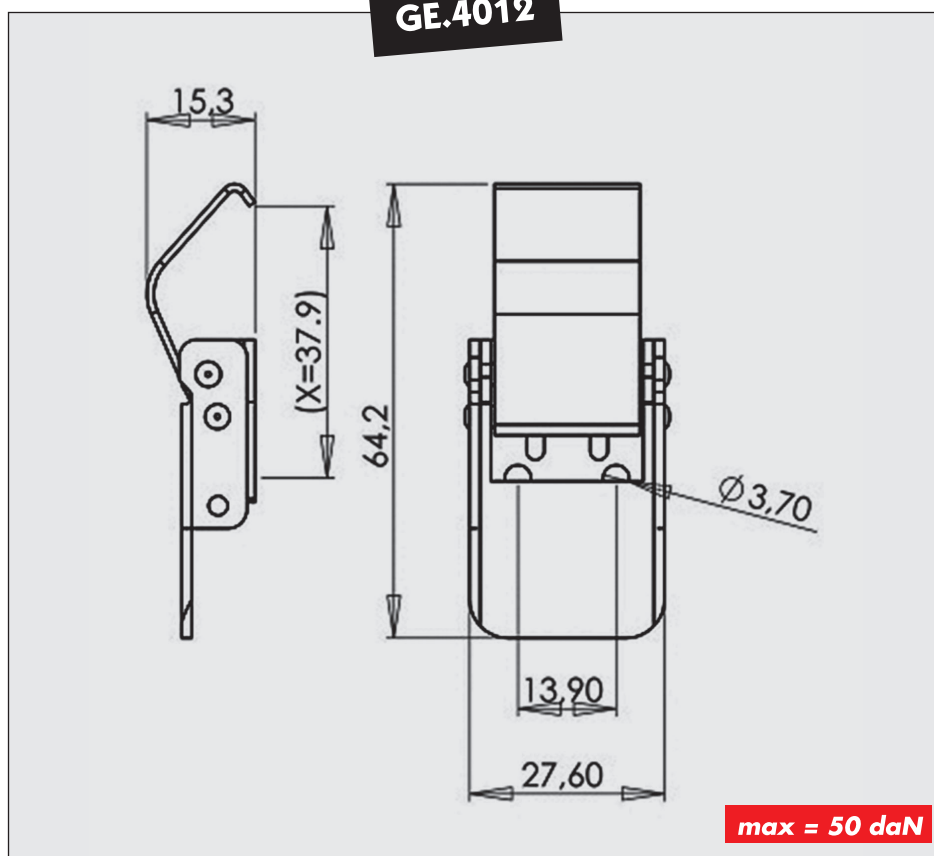
- Approximate fixing position to give 15 daN tension, using catch plate AC 118
- $x = 31.1\text{mm}$
- Recommended Catch Plate : Type AC 118
- Lever : Metal Thickness 0.8 mm
- Base : Metal Thickness 1.0 mm
- Link : 1 mm, tempered steel or stainless steel 18/8

MATERIAL	FINISH	FIXING	kg/100	REFERENCES	REFERENCES
Steel	raw	with holes	0,650	GE.2018-BR*	
Steel	raw	without hole	0,660	GE.2018-ABR	
Steel	white zinc plated	with holes	0,650	GE.2018-ZI	GE.2028-ZI*
St. steel A2	raw	with holes	0,650	GE.2018-IB	GE.2028-IB*
St. steel A2	raw	without hole	0,660		
St. steel A2	polished	with holes	0,650	GE.2018-IP	



full size

GE.4012



Description :

- Its low profile makes this latch especially suitable for equipment requiring a minimum of projection outside the line of the equipment.
- Can be utilised for gripping in a groove without use of catch plate.

Other information :

- Approximate fixing position to give 30 daN tension $x = 37,9\text{mm}$
- Recommended catch plate: AC 148- 149...
- Lever : Material thickness 1.5 mm
- Base : Material thickness 1.5 mm
- Link : 1 mm thickness

MATERIAL	FINISH	FIXING	kg/100	REFERENCE
Steel St. steel A2	white zinc plated raw	with holes with holes	3 3,2	GE 4012 ZI GE 4012 IB*

TOGGLE LATCHES



EPDM / Nylon

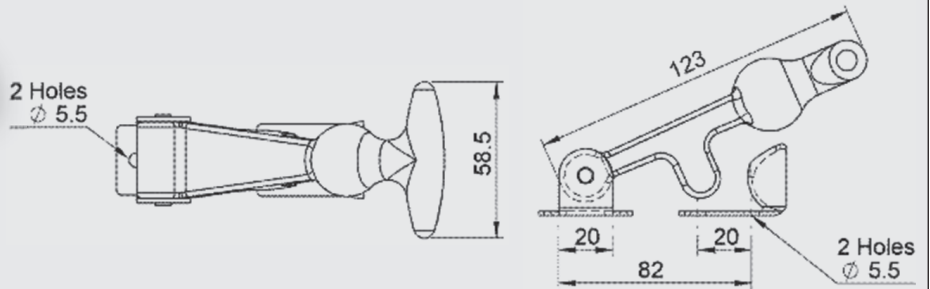


Size 1/2

Description

- EPDM toggle latch with the steel catch plate

GC.124 HN



Size : 1/3

MATERIAL	FINISH	FIXING	kg/100	REFERENCE TOGGLE LATCH + HOOK
Steel / EPDM	White zinc	with holes	10	GC 124 HN

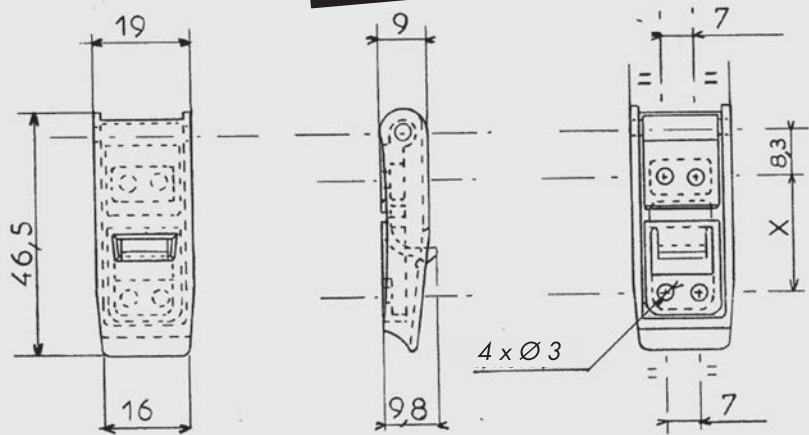


full size

Description

- Nylon toggle latch with the catch plate

GER.551 HN



Size : 3/4

MATERIAL	FINISH	FIXING	kg/100	REFERENCE TOGGLE LATCH + CATCH PLATE
Nylon	Black	with holes	0,4	GER 551 HN

TOGGLE LATCHES



Spring loaded toggle latch

GP.2

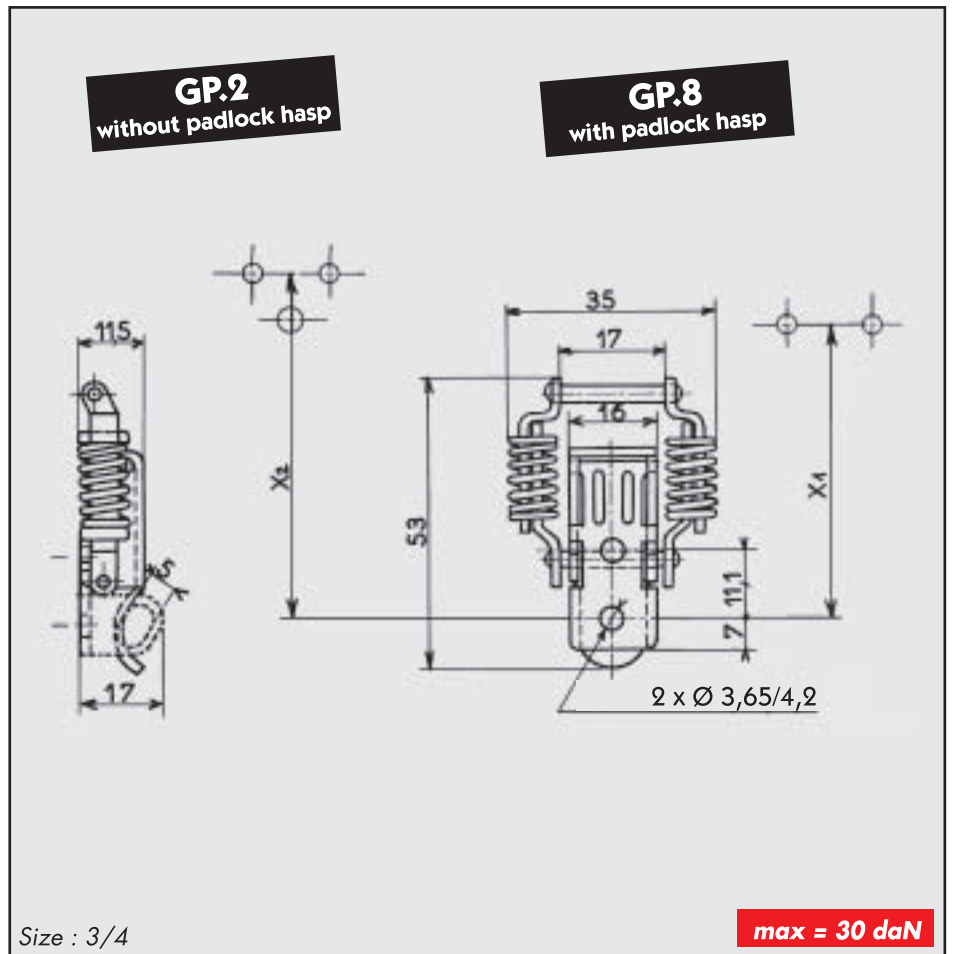


full size

GP.8



full size



Description :

- Available with or without padlock hasp facility.
- Interchangeable with American models.
- Wide positioning tolerance created by spring mechanism.
- Fail safe design prevents over extension of links.
- An immobilising spring is available to hold the latch flat against the equipment to which it is mounted when the latch is in the open position. This prevents the open latch rattling and renders it less liable to accidental damage.

Other information :

- Available with or without padlock hasp facility.
- Interchangeable with American models.
- Wide positioning tolerance created by spring mechanism,
 - using catch plate AC 101: x = 52.4 mm,
 - using catch plate AC 104: x = 63.2 mm
- Recommended Catch Plate: Type AC 101 or AC 104
- Lever : Metal Thickness 1.5 mm
- Base : Metal Thickness, Type GP 2: 2.0 mm,

- Type GP 8 : 1.5 mm
- Link (Interior) : Metal Thickness 1.5 mm
- Link (Exterior) : Metal Thickness 1.5 mm
- Springs : 1.3 mm diameter piano wire, steel
- 1.4 mm diameter piano wire, stainless steel
- Locking pin: 3 mm diameter tolerance created by spring mechanism.
- Fail safe design prevents over extension of links.

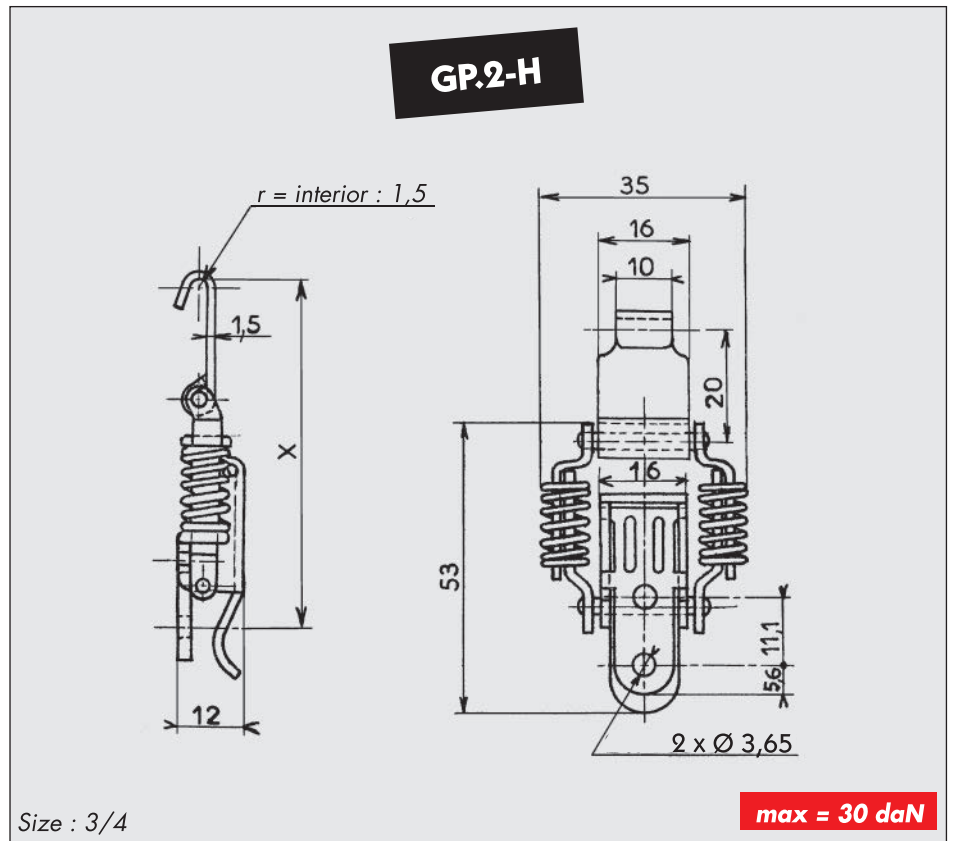
MATERIAL	FINISH	FIXING	kg/100	REFERENCES	kg/100	REFERENCES
Steel	raw	with holes	2,950	GP.2-BR*	3,000	GP.8-BR*
Steel	white zinc plated	with holes	2,950	GP.2-ZI	3,000	GP.8-ZI
Steel	yellow zinc plated	with holes	2,950	GP.2-ZB*	3,000	GP.8-ZB*
St. steel A2	raw	with holes	2,950	GP.2-IB	3,000	GP.8-IB

Possibility to have fixing holes Ø 4,2 mm : reference GE.2-E*

Description :

- Available with or without padlock hasp facility.
- Interchangeable with American models.
- Wide positioning tolerance created by spring mechanism.
- Fail safe design prevents over extension of links.
- An immobilising spring is available to hold the latch flat against the equipment to which it is mounted when the latch is in the open position. This prevents the open latch rattling and renders it less liable to accidental damage.

MATERIAL	kg/100	REFERENCES
white zinc plated	3,700	GP.2-HZI
yellow zinc plated	3,700	GP.2-HZB*
St. steel A2	3,700	GP.2-HIB

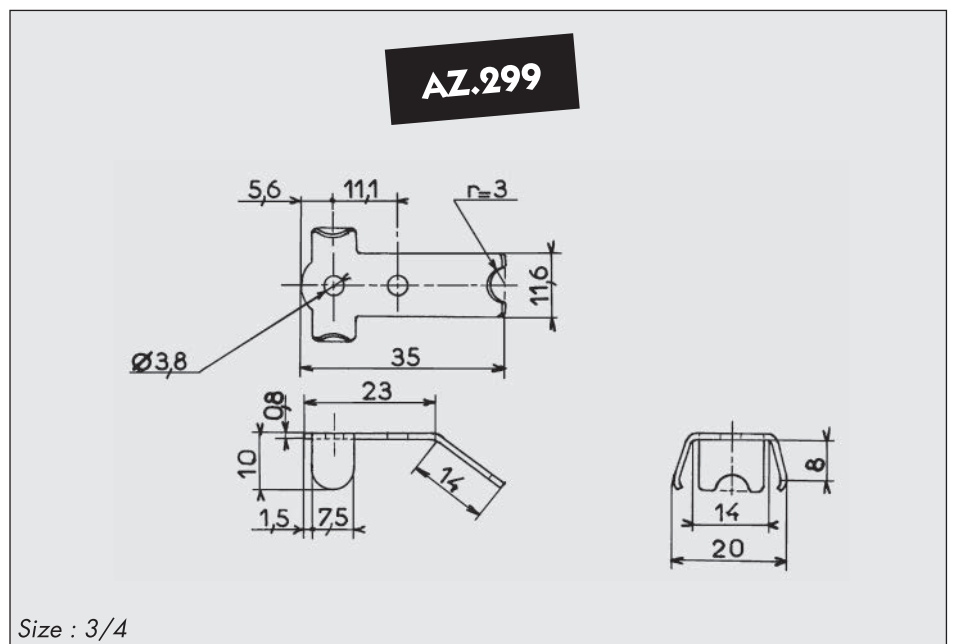


LOCKING SPRING FOR TOGGLE LATCHES

Description :

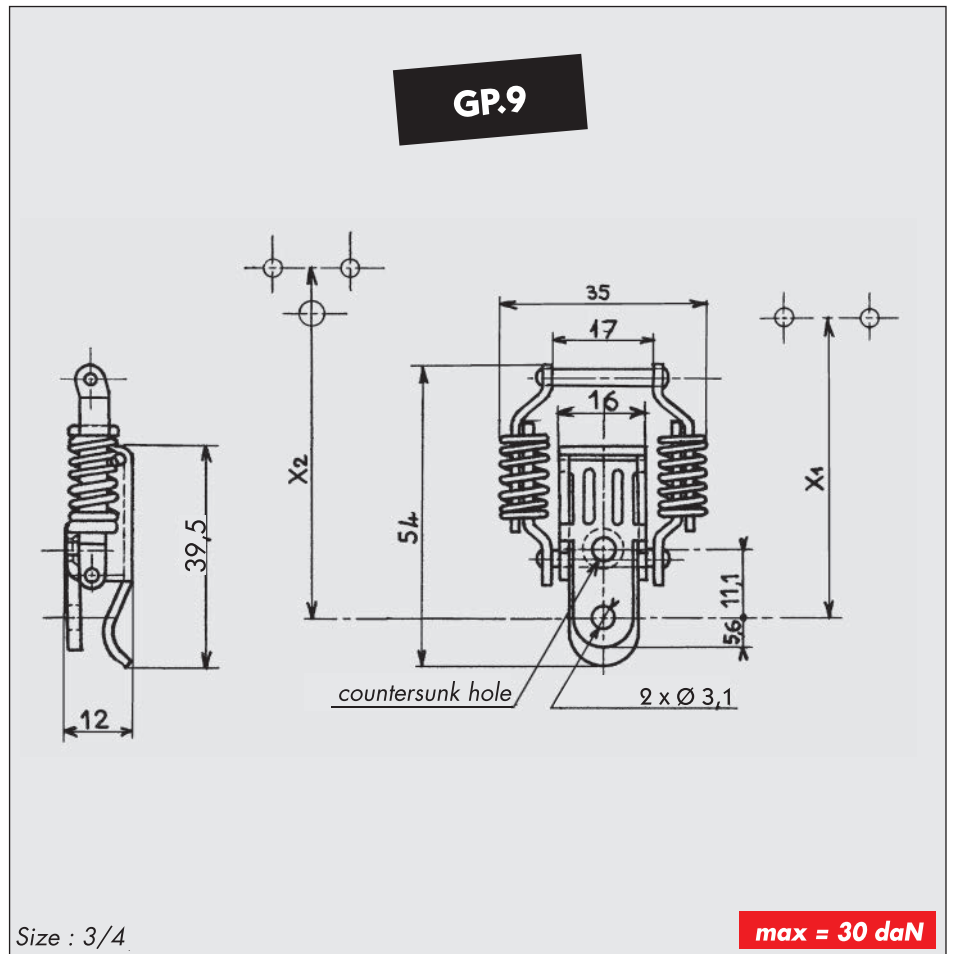
- This locking spring can be used with references GP.2, GP.8, GP.9.
- Avoid vibration in opened position

MATERIAL	kg/100	REFERENCES
steel	0,350	AZ.299-BR*
white zinc plated	0,350	AZ.299-ZI
yellow zinc plated	0,350	AZ.299-ZB*





full size



Description :

- Available with or without padlock hasp facility.
- Interchangeable with American models.
- Wide positioning tolerance created by spring mechanism.
- Fail safe design prevents over extension of links.
- An immobilising spring is available to hold the latch flat against the equipment to which it is mounted when the latch is in the open position. This prevents the open latch rattling and renders it less liable to accidental damage.

Other information :

- Interchangeable with American models.
- Wide positioning tolerance created by spring mechanism,
 - using catch plate AC 101: x = 56 mm,
 - using catch plate AC 104: x = 67.1 mm
- Recommended Catch Plate : Type AC 101 or AC 104
- Lever : Metal Thickness 1.5 mm
- Base: Metal Thickness, Type GP 2 : 2.0 mm,
- Type GP 8 : 1.5 mm
- Link (Interior) : Metal Thickness 1.5 mm

- Link (Exterior) : Metal Thickness 1.5 mm
- Springs : 1.3 mm diameter piano wire, steel
- 1.4 mm diameter piano wire, stainless steel
- Locking pin : 3 mm diameter tolerance created by spring mechanism.
- Fail safe design prevents over extension of links.

MATERIAL	FINISH	FIXING	kg/100	REFERENCES
Steel	white zinc plated	with holes	3,000	GP.9-ZI
Steel	yellow zinc plated	with holes	3,000	GP.9-ZB*
St. steel A2	raw	with holes	3,000	GP.9-IB

GP.10 (GP.13)

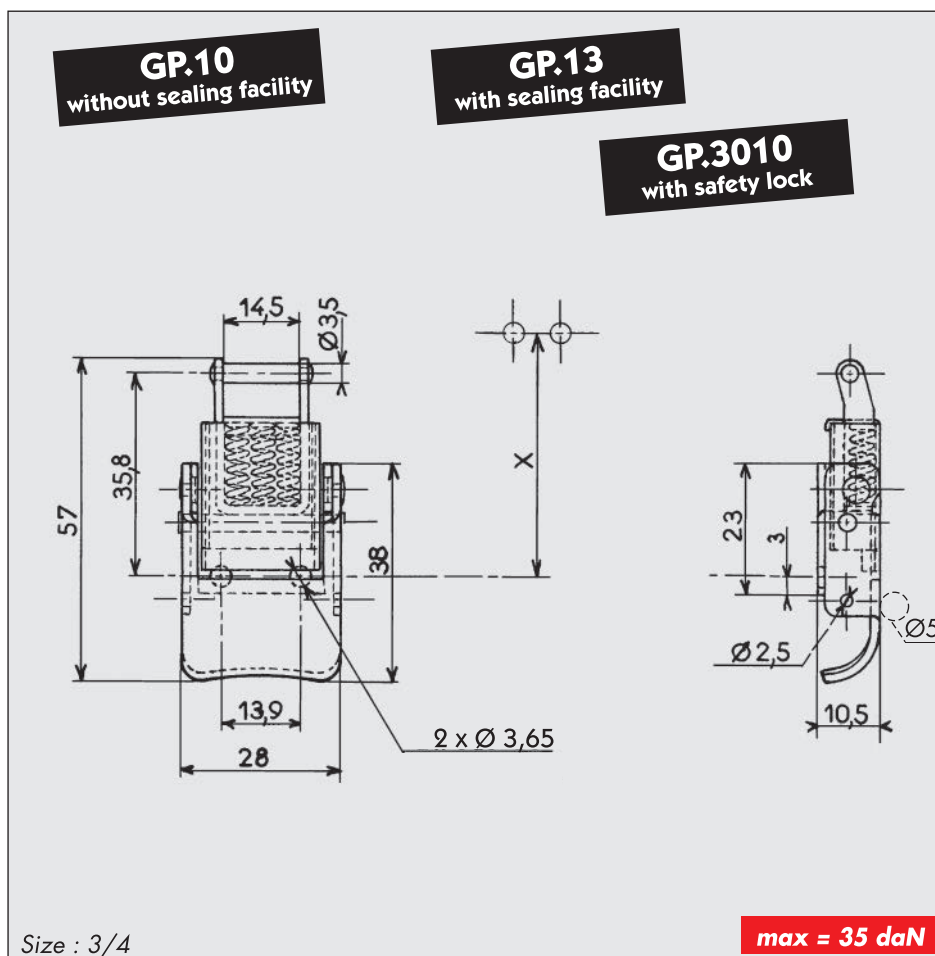


full size

GP.3010



full size



Description :

- Totally enclosed spring mechanism, aesthetically pleasing appearance.
- Spring mechanism allows positional adjustment.
- Possibility of sealing.
- Interchangeable with American models.
- Fail safe design prevents over extension of link.
- Lever is available either straight or curved. For straight latch see GP 12.
- Compression springs of stainless steel in all cases.

- Assembly rivets stainless steel 18/8 in all cases.
- The spring mechanism is protected against the ingress of rain.
- Suitable for screw fixing or welding.

- Base : Metal Thickness 1.5 mm
- Link: Side levers : Metal Thickness 1.5 mm
Locking pin: 3.5 mm diameter
- g mechanism allows positional adjustment.
- Possibility of sealing.
- Interchangeable with American models.
- Fail safe design prevents over extension of link.

Other information :

- SprinApproximate fixing position to give 30 daN tension, using catch plate AC 113
- x = 48 mm
- Recommended Catch Plate : Type AC 113
- Lever : Metal Thickness 1.5 mm

MATERIAL	FINISH	FIXING	kg/100	REFERENCES	kg/100	REFERENCES	kg/100	REFERENCES
Steel	white zinc plated	with holes	3,500	GP.10-ZI	3,800	GP.13-ZI	3,600	GP.3010-ZI
Steel	yellow zinc plated	with holes	3,500	GP.10-ZB*	3,800	GP.13-ZB*	3,600	GP.3010-ZB*
Steel	chrome-plated	with holes	3,500	GP.10-CH	3,800	GP.13-CH	3,600	GP.3010-CH*
St. steel A2	raw	with holes	3,530	GP.10A-IB*	3,830	GP.13A-IB*	3,600	GP.3010A-IB*
St. steel A2	raw	without hole	3,500	GP.10-IB	3,800	GP.13-IB	3,600	GP.3010-IB
St. steel A2	polished	with holes	3,500	GP.10-IP	3,800	GP.13-IP	3,600	GP.3010-IP*
Light alloy	colorless oxidation	with holes	1,800	GP.10-AO*	1,750	GP.13-AO*	1,670	GP.3010-AO*

Possibility to have fixing holes Ø 4,2mm : reference GE.10-E*

GP.12

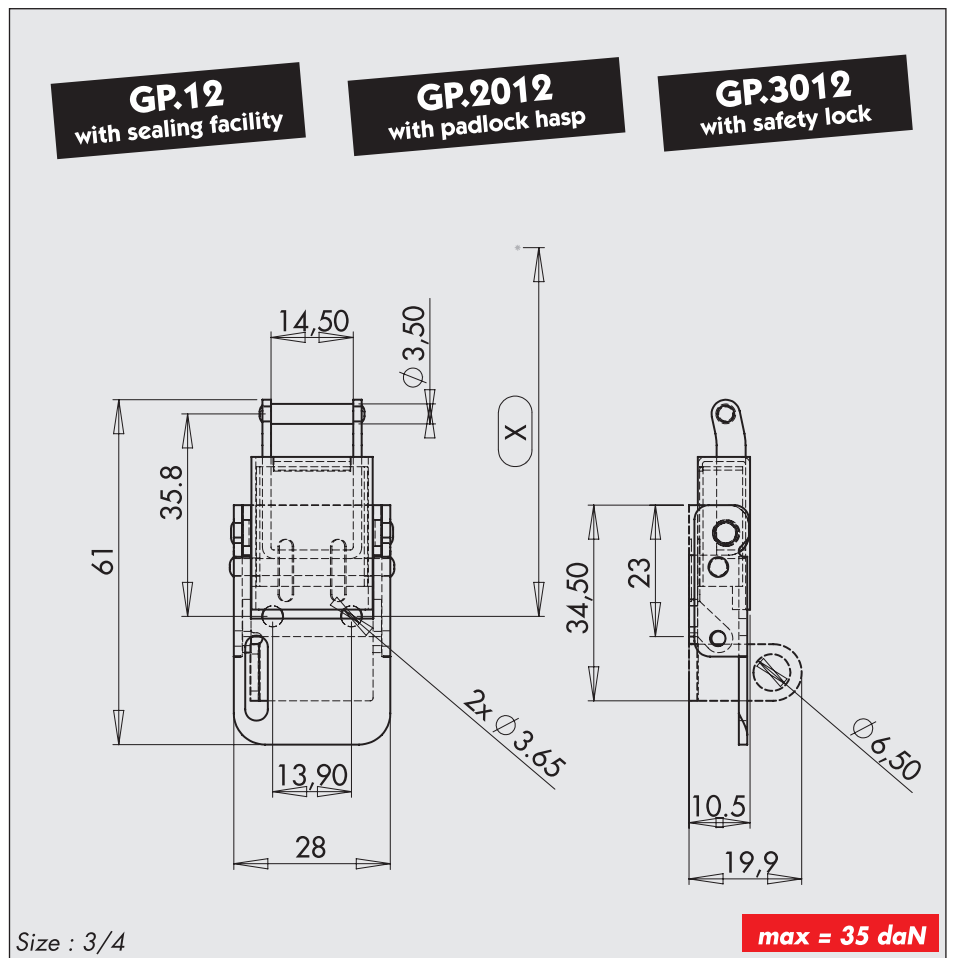


full size

GP.2012



GP.3012



Description :

- Totally enclosed spring mechanism.
- Allows positional misalignment.
- Latch always under tension.
- Interchangeable with American models.
- Possibility of sealing.
- P2012 with padlock hasp.
- Fail safe design prevents over extension of the link.

- Suitable for screw fixing or welding.
- Compression springs in stainless steel in all versions.
- The spring mechanism is protected against the ingress of rain.
- Assembly rivets in stainless steel in all versions

Other information :

- Allows positional misalignment.
- Latch always under tension. Approximate fixing position to give 30 daN tension, using catch plate AC 113

- x = 48mm
- Recommended catch plate: AC 113
- Lever: Metal thickness 1.5mm
- Base: Metal thickness 1.5mm
- Link: Side bars 1.5mm thick
- Locking pin 3.5mm dia. under tension.
- Interchangeable with American models.
- Possibility of sealing.
- P2012 with padlock hasp.
- Fail safe design prevents over extension of the link.
- Suitable for screw fixing or welding.

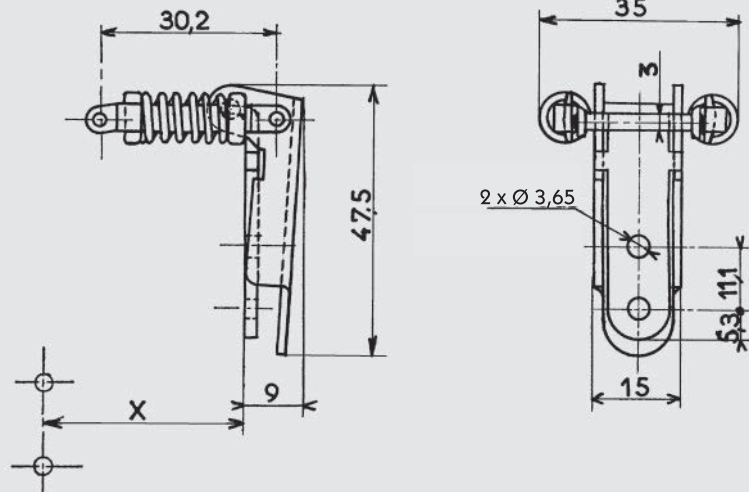
MATERIAL	FINISH	FIXING	kg/100	REFERENCES	kg/100	REFERENCES	kg/100	REFERENCES
Steel	white zinc plated	with holes	3,800	GP.12-ZI	4,000	GP.2012-ZI	3,600	GP.3012-ZI
Steel	yellow zinc plated	with holes	3,800	GP.12-ZB*	4,000	GP.2012-ZB*	3,600	GP.3012-ZB*
Steel	chrome-plated	with holes	3,800	GP.12-CH	4,000	GP.2012-CH*	3,600	GP.3012-CH*
St. steel A2	raw	with holes	3,800	GP.12-IB	4,000	GP.2012-IB	3,600	GP.3012-IB
St. steel A2	raw	without hole	3,830	GP.12A-IB*	4,030	GP.2012-AIB*	3,650	GP.3012-AIB*
St. steel A2	polished	with holes	3,830	GP.12-IP	4,030	GP.2012-IP*	3,650	GP.3012-IP

For right angle fixing

GP.15



full size



Size : 3/4

max = 30 daN

Description :

- Right angle model.
- Spring mechanism gives wide positioning tolerance.
- Interchangeable with American models.
- Fail safe design prevents over extension of links.
- This model is designed to fasten around a right angle bend.

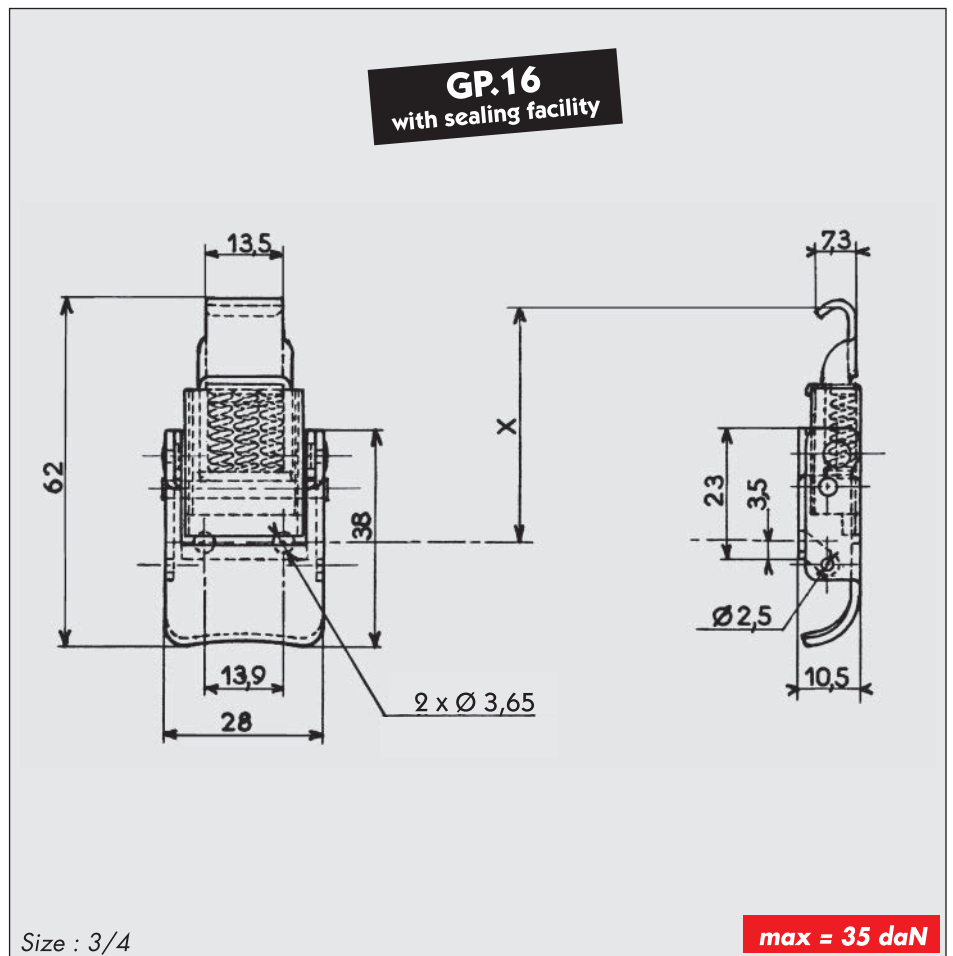
Other information :

- Approximate fixing position to give 20 daN tension, using catch plate AC 101:
- $x = 38.5$ mm,
- Recommended Catch Plate : Type AC 101
- Lever : Metal Thickness 1.5 mm
- Base : Metal Thickness 2.0 mm
- Link (Exterior and interior) : Metal Thickness 1.5 mm
- Springs : 1.3 mm piano wire
- Locking pin : 3.0 mm diameter with American models.
- Fail safe design prevents over extension of links.

MATERIAL	FINISH	FIXING	kg/100	REFERENCES
Steel	raw	with holes	3,400	GP.15-BR*
Steel	white zinc plated	with holes	3,400	GP.15-ZI
Steel	yellow zinc plated	with holes	3,400	GP.15-ZB*
St. steel A2	raw	with holes	3,400	GP.15-IB



full size



Description :

- Totally enclose spring mechanism.
- Allows positional misalignment.
- Latch always under tension.
- Interchangeable with American models.
- Possibility of sealing.
- Fail safe design prevents over extension of the link.
- Suitable for screw fixing or welding.
- Compression springs in stainless steel in all versions.
- The spring mechanism is protected against the ingress of rain.
- Assembly rivets in stainless steel in all versions.

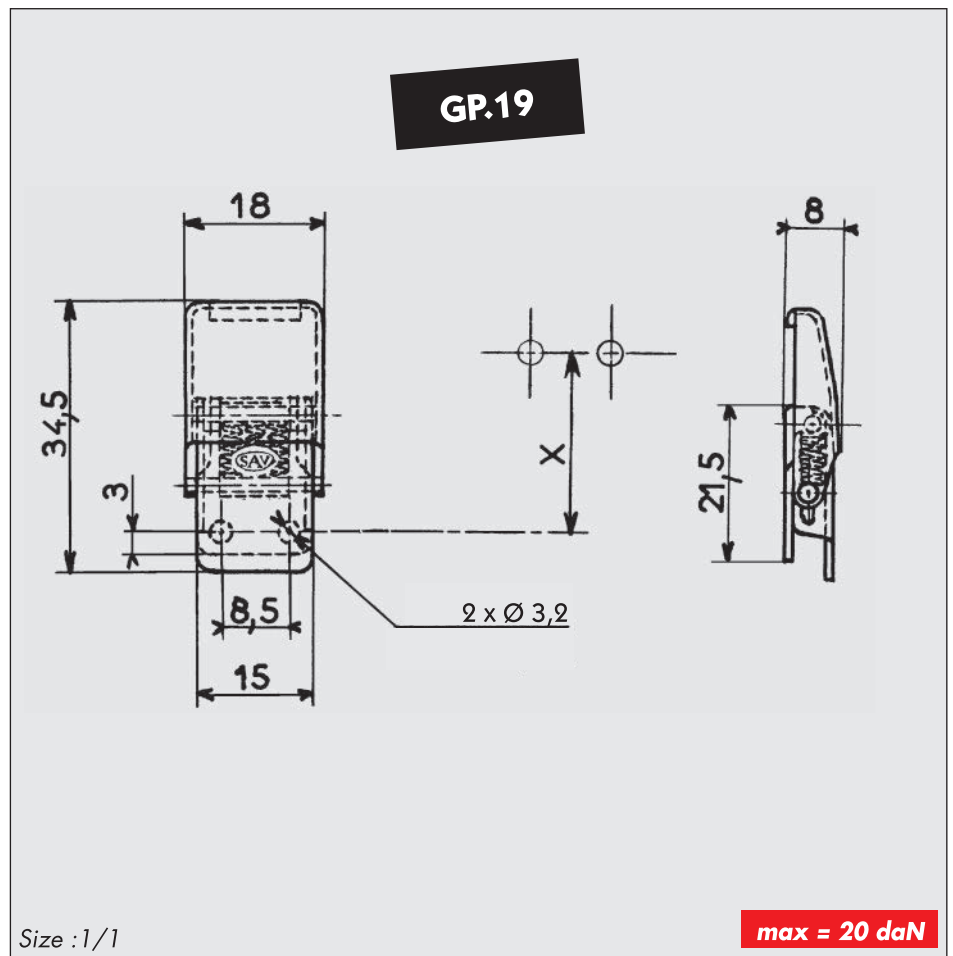
Other information :

- Approximate fixing position to give 30 daN tension
- $x = 46\text{mm}$
- Recommended catch plate : AC 112
- Lever : Metal thickness 1.5 mm
- Base : Metal thickness 1.5 mm
- Link : Metal thickness 1.5 mm

MATERIAL	FINISH	FIXING	kg/100	REFERENCES
Steel	white zinc plated	with holes	4,100	GP.16-ZI
Steel	yellow zinc plated	with holes	4,100	GP.16-ZB*
Steel	chromeplated	with holes	4,100	GP.16-CH*
St. steel A2	raw	with holes	4,100	GP.16-IB
St. steel A2	raw	without hole	4,150	GP.16AIB*
St. steel A2	polished	with holes	4,100	GP.16-IP*



full size



Description :

- Aesthetically pleasing appearance.
- Miniaturised model, totally enclosed.
- Spring mechanism gives wide positioning tolerance.
- Concealed catch plate.
- Suitable for screw fixing or welding.
- Assembly rivets and compression springs made in stainless steel 18/8 in all cases.
- A sub-miniature spring loaded model having an overall length of 29 mm and a width of 13 mm is available - GP 69

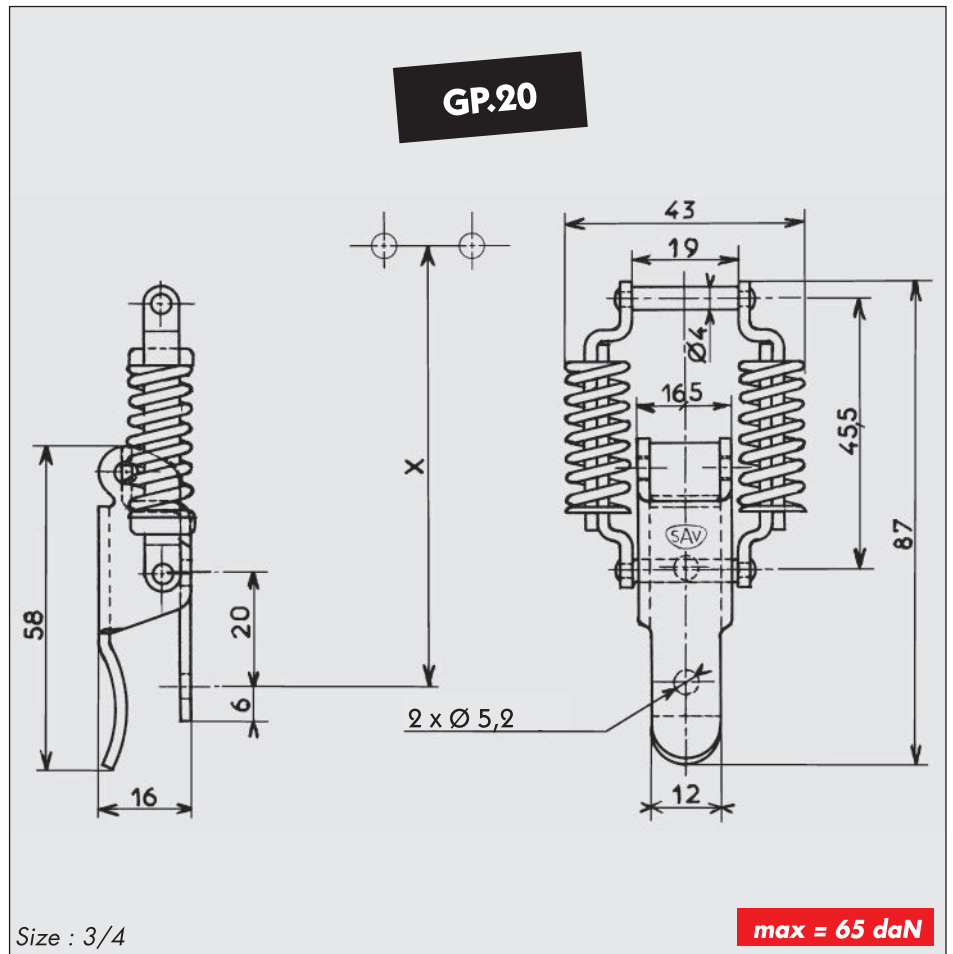
Other information :

- Approximate fixing position to give 15daN tension, using catch plate AC 119
- $x = 25.5$ mm
- Recommended Catch Plate : Type AC 119
- Lever : Metal Thickness 0.8 mm
- Base : Metal Thickness 1.0 mm
- Link : Metal Thickness 1.0 mm

MATERIAL	FINISH	FIXING	kg/100	REFERENCES
Steel	white zinc plated	with holes	1,300	GP.19-ZI
Steel	yellow zinc plated	with holes	1,300	GP.19-ZB*
Steel	chromeplated	with holes	1,300	GP.19-CH*
St. steel A2	raw	with holes	1,300	GP.19-IB
St. steel A2	raw	without hole	1,310	GP.19A-IB*
St. steel A2	polished	with holes	1,300	GP.19-IP



full size



Description :

- Allows positional misalignment.
- Latch always under tension.
- Fail safe design prevents over extension of the link.

Other information :

- Approximate fixing position to give 55 daN tension, using catch plate AC 121
- $x = 88$ mm
- Recommended catch plate : AC 121
- Lever : Metal thickness 2 mm
- Base : Metal thickness 2 mm
- Link : Side bars 2 mm thick
Locking pin 4 mm dia.

MATERIAL	FINISH	FIXING	kg/100	REFERENCES
Steel	raw	with holes	7,000	GP.20-BR*
Steel	white zinc plated	with holes	7,000	GP.20-ZI
Steel	yellow zinc plated	with holes	7,000	GP.20-ZB*
St. steel A2	raw	with holes	7,000	GP.20-IB
St. steel A2	passivation	with holes	7,000	GP.20-IA*

TOGGLE LATCHES

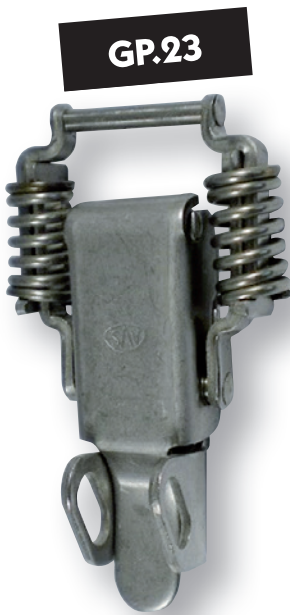


Spring loaded toggle latch



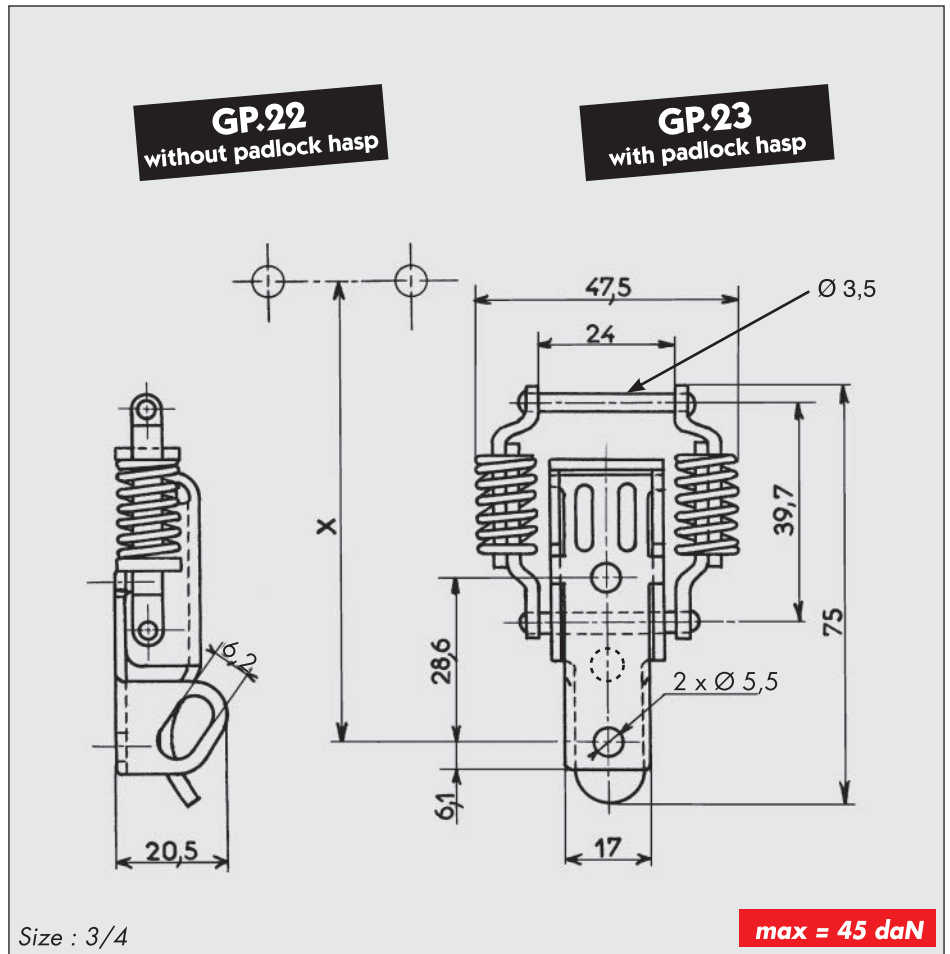
GP.22

full size



GP.23

full size



- Fail safe design prevents over extension of links.
 - These models are larger versions of type GP 2/GP 8.
 - Base : Type P22 : Metal Thickness : 2.5 mm
Type P23 : Metal Thickness : 2.0 mm
 - Links (Exterior and Interior)
Metal Thickness : 2.5 mm
 - Springs :
- 1.7 mm diameter piano wire, steel
- 1.8 mm diameter piano wire, stainless steel
 - Locking pin : 3.5 mm diameter
- Other information :**
- Approximate fixing position to give 35daN tension, using catch plate AC 122: x = 87 mm,
 - Recommended catch plate : Type AC 122
 - Lever : Metal Thickness 2.0 mm

Description :

- Available with or without padlock hasp facility.
- Interchangeable with American models.
- Wide positioning tolerance created by spring mechanism.

MATERIAL	FINISH	FIXING	kg/100	REFERENCES	kg/100	REFERENCES
Steel	raw	with holes	7,000	GP.22-BR*	7,500	GP.23-BR*
Steel	white zinc plated	with holes	7,000	GP.22-ZI	7,500	GP.23-ZI
Steel	yellow zinc plated	with holes	7,000	GP.22-ZB*	7,500	GP.23-ZB*
St. steel A2	raw	with holes	7,000	GP.22-IB	7,500	GP.23-IB

TOGGLE LATCHES



Spring loaded toggle latch

GP.27

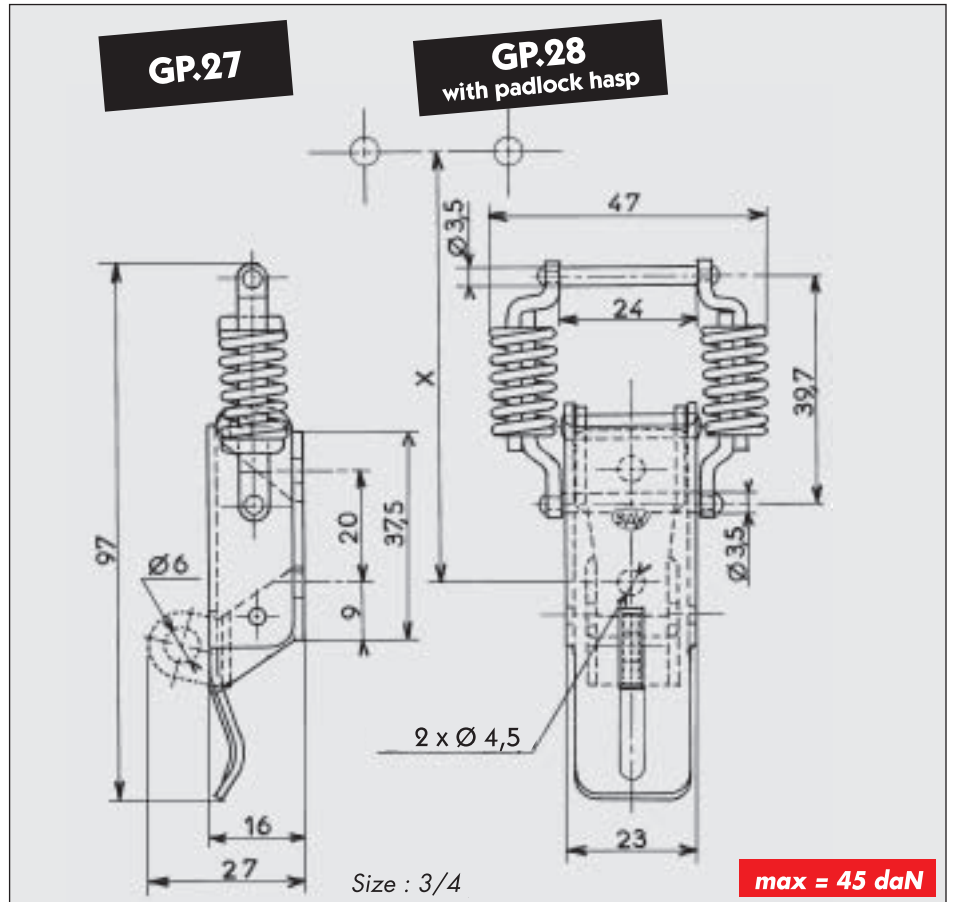


full size

GP.28



full size



Description :

- Allows positional misalignment.
- Latch always under tension.
- Fail safe design prevents over extension of the link.
- Type GP 28 has padlock hasp.
- Possibility of sealing.

Other information :

- Approximate fixing position to give 35 daN tension, using catch plate AC 122
- $x = 83.4\text{mm}$
- Recommended catch plate : AC 122 or AC 125
- Lever : Metal thickness 1.5 mm
- Base : Metal thickness 1.5 mm
- Link : Side bars 2.5 mm thick
- Locking pin 3.5 mm dia.

MATERIAL	FINISH	FIXING	kg/100	REFERENCES	kg/100	REFERENCES
Steel	raw	with holes	6,700	GP.27-BR*	7,000	GP.28-BR*
Steel	white zinc plated	with holes	6,700	GP.27-ZI	7,000	GP.28-ZI
Steel	yellow zinc plated	with holes	6,700	GP.27-ZB*	7,000	GP.28-ZB*
St. steel A2	raw	with holes	6,700	GP.27-IB	7,000	GP.28-IB
St. steel A2	polished	with holes	6,700	GP.27-IP*	7,000	GP.28-IP*

A3



110

* References only produced on order

GP.29



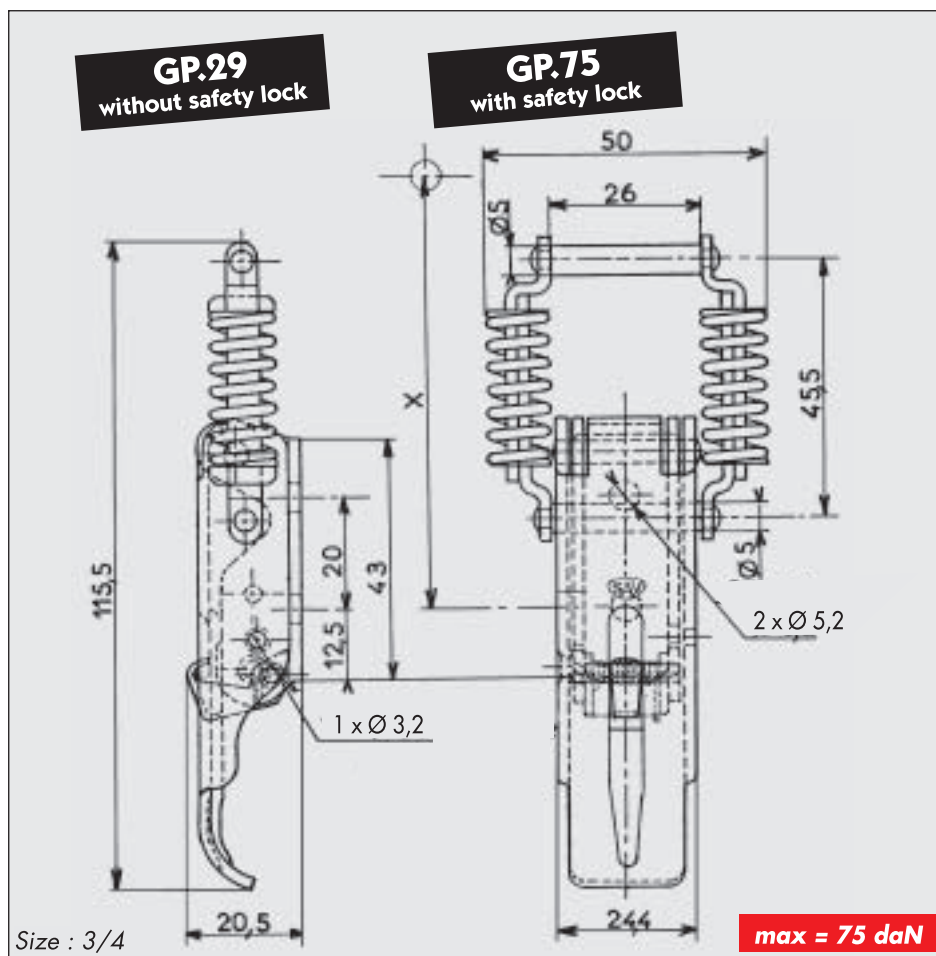
Size 2/3

GP.75



Size 2/3

Safety lock



- A larger model is also available having an overall length of 136 mm - latch GP 31
- On type GP 75, manual safety button has to be pulled back at the same time as the lever is lifted for the latch to be released.

Other information :

- Approximate fixing position to give 55 daN tension using catch plate AC 144
- $x = 82.5$ mm
- Recommended Catch Plate : Type AC 144 or AC 122
- Lever : Metal Thickness 2.0 mm
- Base : Metal Thickness 2.0 mm
- Links (Exterior and interior) : Metal Thickness 2.0 mm
- Springs : 2 mm diameter piano wire, steel or stainless steel 18/8
- Locking pin: 5 mm diameter stainless 18/8 in all cases.

Description :

- Type GP 75 has manual safety lock.
- Possibility of sealing.
- Spring mechanism gives wide positioning tolerance.
- Fail safe design prevents over extension of links
- Can be fitted with decompression valve making the model particularly suitable for securing items transported by air.
- A smaller model of this type is available having an overall length of 107 mm - latch GP 30.

MATERIAL	FINISH	FIXING	kg/100	REFERENCES	kg/100	REFERENCES
Steel	white zinc plated	with holes	12,000	GP.29-ZI	12,470	GP.75-ZI
Steel	yellow zinc plated	with holes	12,000	GP.29-ZB*	12,470	GP.75-ZB*
St. steel A2	raw	with holes	12,000	GP.29-IB	12,470	GP.75-IB
St. steel A2	passivated	with holes	12,000	GP.29-IA*	12,470	GP.75-IA*

TOGGLE LATCHES

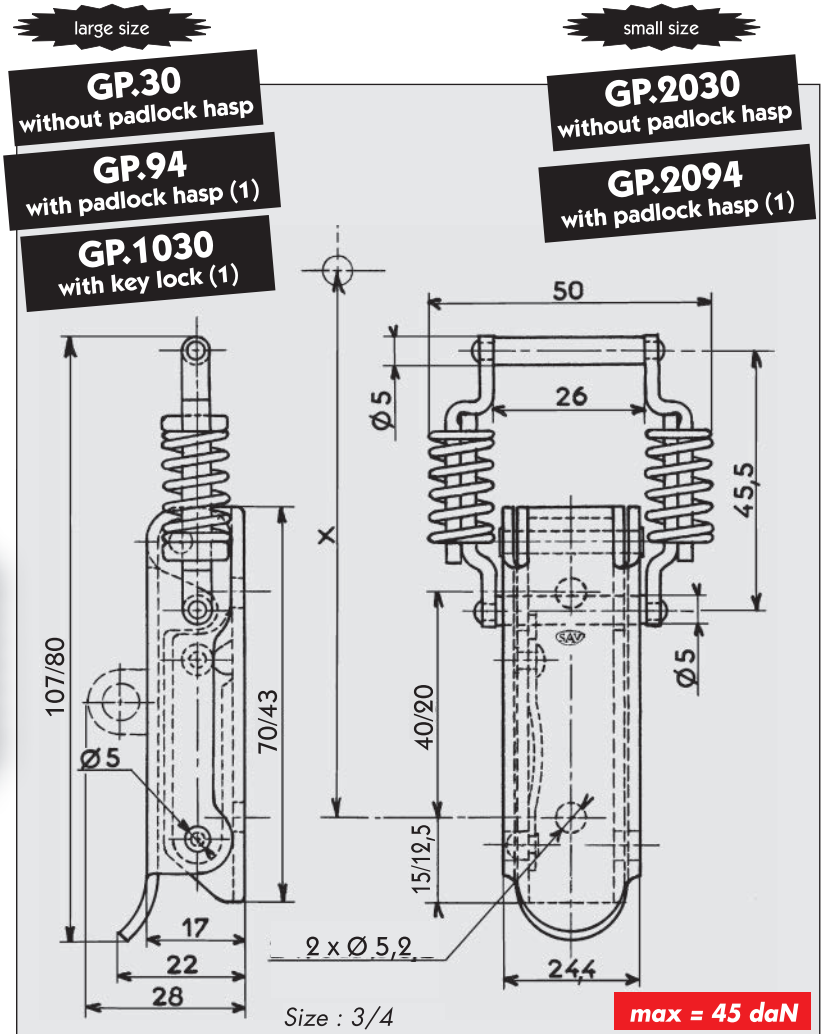


Spring loaded toggle latch



full size

full size



Description :

- Allows positional misalignment.
- Latch always under tension.
- Fail safe design prevents over extension of the link
- P30 has a spring safety lock - particularly recommended for equipment subject to vibration.
- P94 has padlock hasp and is supplied without the spring safety lock.
- Possibility of sealing.
- A version having a key lock is available - GP 1030

Other information :

- Approximate fixing position to give 35 daN tension, using catch plate AC 144
- $x = 102.5$
- Recommended catch plate : AC 144
- Lever : Metal thickness 2 mm
- Base : Metal thickness 2 mm
- Link : Side bars 2.5 mm thick
- Locking pin 5 mm dia.

MATERIAL	FINISH	FIXING	kg/100	REFERENCES	kg/100	REFERENCES	kg/100	REFERENCES	kg/100	REFERENCES	kg/100	REFERENCES
Steel	white zinc plated	with holes	12,400	GP.30-ZI	12,5	GP.94-ZI	14,500	GP.1030-ZI	10,000	GP.2030-ZI*	10,100	GP.2094-ZI*
Steel	yellow zinc plated	with holes	12,400	GP.30-ZB*	12,5	GP.94-ZB*	14,500	GP.1030-ZB*	10,000	GP.2030-ZB*	10,100	GP.2094-ZB*
St. steel A2	raw	with holes	12,400	GP.30-IB	12,5	GP.94-IB	14,500	GP.1030-IB*	10,000	GP.2030-IB*	10,100	GP.2094-IB*

(1) without safety spring inside lever

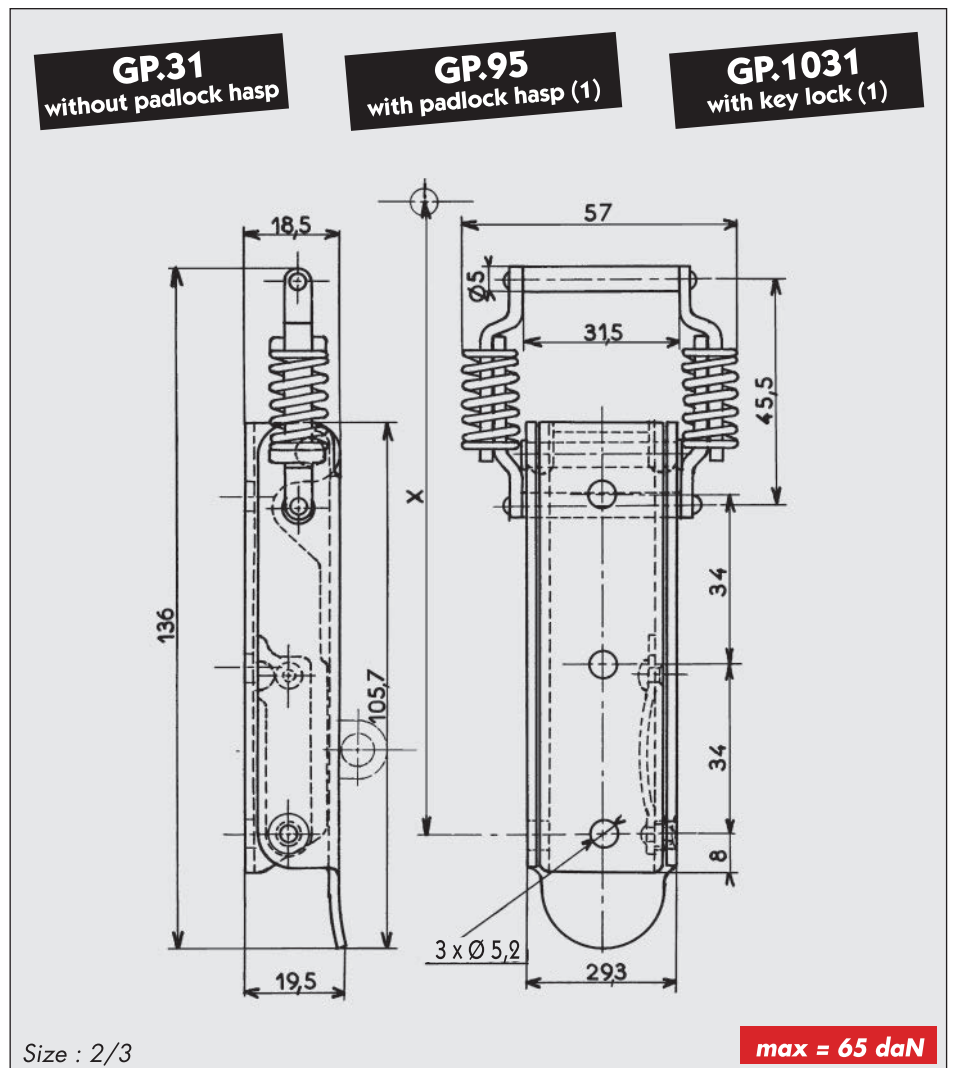
TOGGLE LATCHES



Spring loaded toggle latch



full size



Description :

- Allows positional misalignment.
- Latch always under tension.
- Fail safe design prevents over extension of the link.
- Type GP 31 has a spring safety catch giving good resistance against accidental opening by vibration.
- Type GP 95 has padlock hasp and is supplied without the spring safety catch.
- Possibility of sealing.
- A version of this latch is available with a key lock - GP 1031

Other information :

- Approximate fixing position to give 55 daN tension, using catch plate AC 143
- $x = 134$ mm
- Recommended catch plate : AC 143
- Lever : Metal thickness 2 mm
- Base : Metal thickness 2 mm
- Link : Side plates 2.5 mm thick
Locking pin 5mm dia.

MATERIAL	FINISH	FIXING	kg/100	REFERENCES	kg/100	REFERENCES	kg/100	REFERENCES
Steel	white zinc plated	with holes	17,500	GP.31-ZI	19,300	GP.95-ZI	21,600	GP.1031-ZI*
Steel	yellow zinc plated	with holes	17,500	GP.31-ZB*	19,300	GP.95-ZB*	21,600	GP.1031-ZB*
St. steel A2	raw	with holes	17,500	GP.31-IB	19,300	GP.95-IB	21,600	GP.1031-IB*

(1) without safety spring inside lever

TOGGLE LATCHES



Spring loaded toggle latch

GP.42

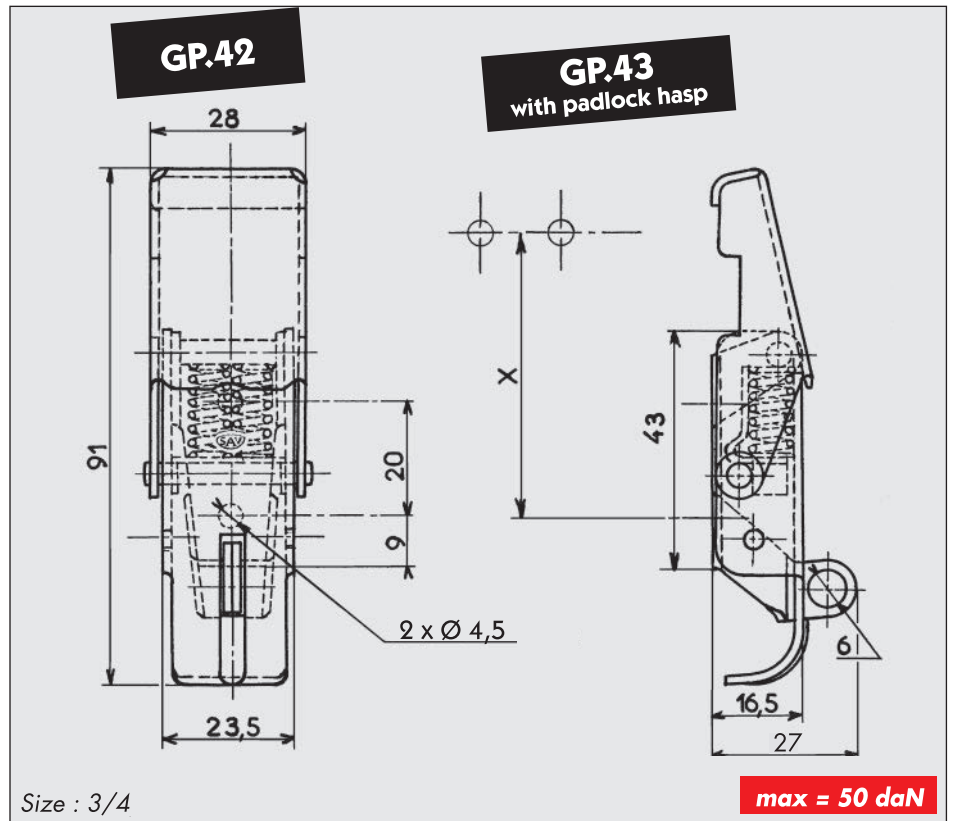


full size

GP.43



full size



Description :

- Available with or without padlock hasp facility.

Enclosed model with aesthetically pleasing appearance.

Concealed catch plate.

Fail safe spring mechanism gives wide positioning tolerance.

The spring mechanism is protected against ingress of rain.

Assembly rivets and compression springs made of stainless steel in all cases.

Other information :

- Approximate fixing position to give 40daN tension, using catch plate AC 148

x = 49 mm

Maximum operating tension: 50daN

Recommended Catch Plate: Type AC 148 or AC 149

Lever: Metal Thickness 1.5 mm

Base: Metal Thickness 1.5 mm

Link: Metal Thickness 1.5 mm

MATERIAL	FINISH	FIXING	kg/100	REFERENCES	kg/100	REFERENCES
Steel	white zinc plated	with holes	8,500	GP.42-ZI	8,700	GP.43-ZI
Steel	yellow zinc plated	with holes	8,500	GP.42-ZB*	8,700	GP.43-ZB*
Steel	chromeplated	with holes	8,500	GP.42-CH	8,700	GP.43-CH
St. steel A2	raw	with holes	8,500	GP.42-IB	8,700	GP.43-IB
St. steel A2	polished	with holes	8,500	GP.42-IP	8,700	GP.43-IP

A3

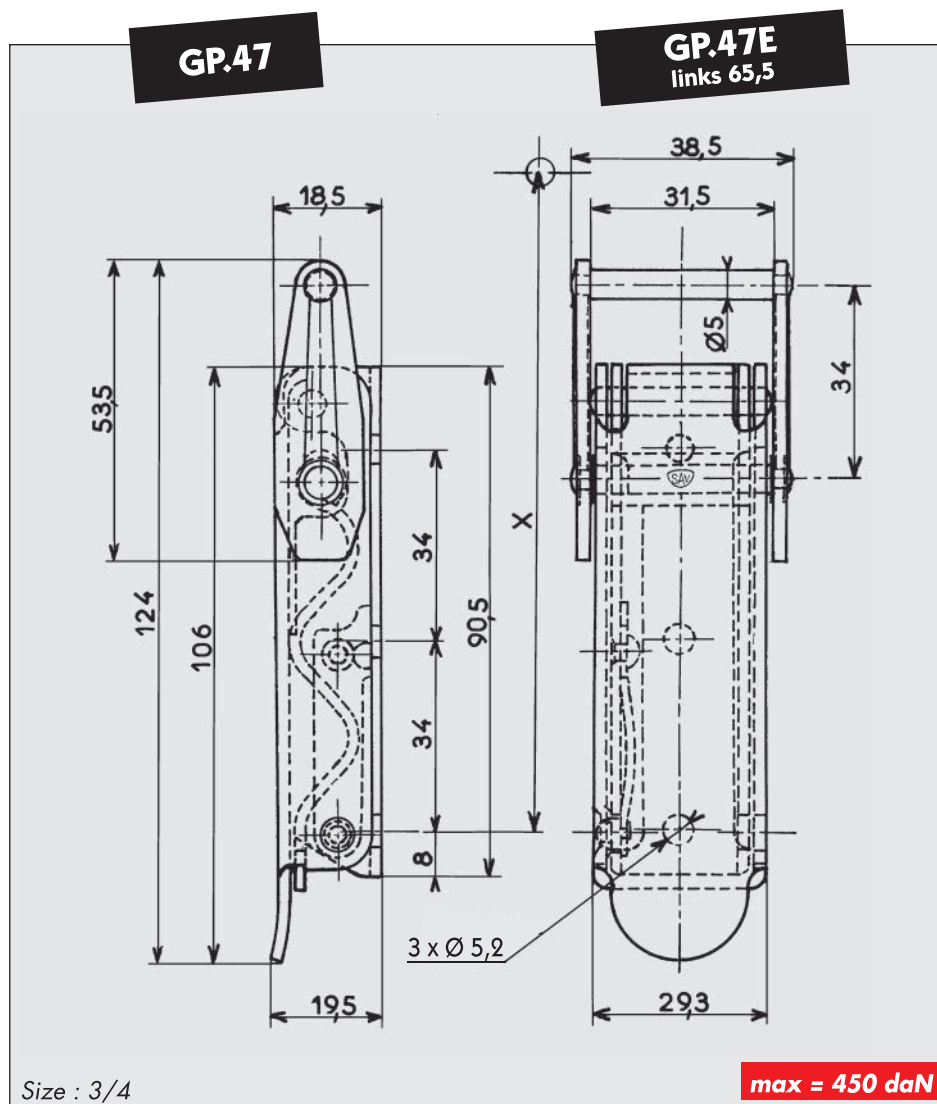


150

* References only produced on order



full size



Description :

- Spring action allows latch to function as valve in cases of accidental internal pressure build up.
- Spring cannot be over extended.
- Spring mechanism gives wide positioning tolerance.
- Possibility of sealing.
- Spring safety catch gives good resistance to accidental opening by vibration.
- Assembly rivets Stainless Steel 18/8 in all cases.

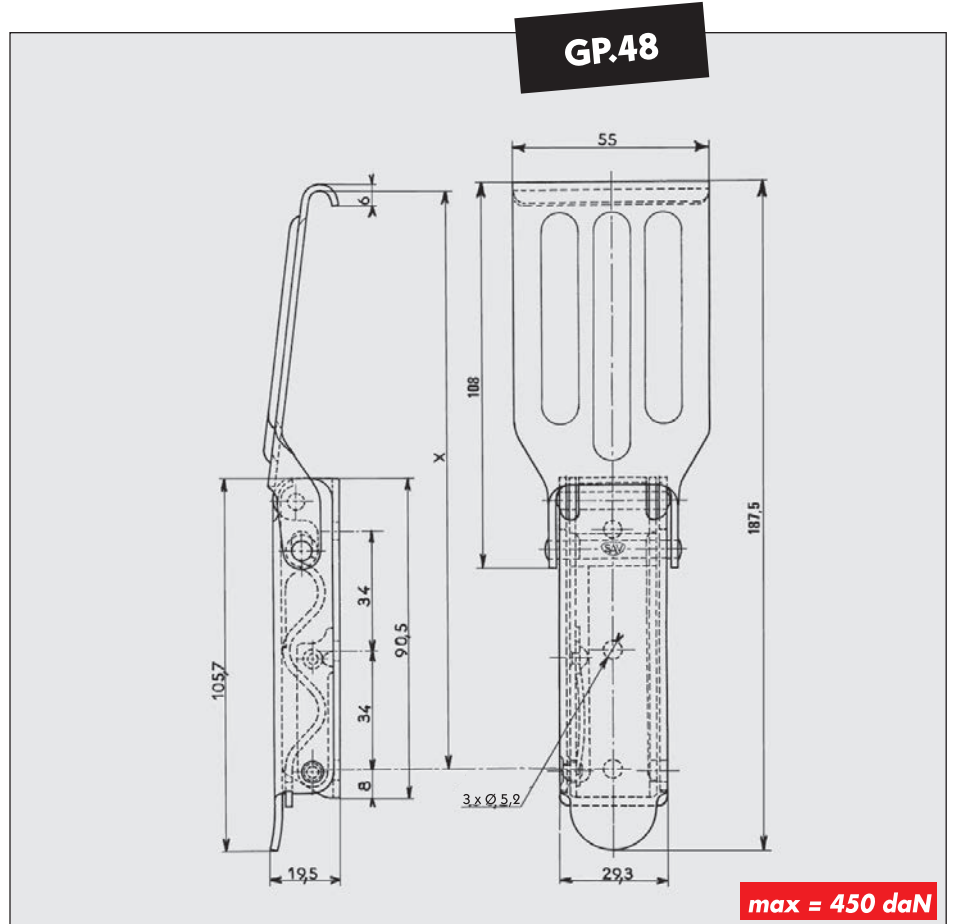
Other information :

- Approximate fixing position to give 250 daN tension using catch plate AC 143
- $x = 117.3$ mm
- Spring : 400 daN
- Recommended Catch Plate : Type AC 143
- Lever : Metal Thickness 2.0 mm
- Base : Metal Thickness 2.0 mm
- Links : Metal Thickness 2.5 mm
- Locking pin 5.0 mm diameter stainless 18/8.
- Travel of sinusoidal spring : 3.5 mm

MATERIAL	FINISH	FIXING	kg/100	REFERENCES
Steel	white zinc plated	with holes	22,100	GP.47-ZI
Steel	yellow zinc plated	with holes	22,100	GP.47-ZB*
St. steel A2	raw	with holes	22,100	GP.47-IB*



Size 3/4



Description :

- Spring action allows latch to function as a valve in cases of accidental internal pressure build up.
- Latch always under tension.
- Fail safe design prevents over extension of the spring.
- Possibility of sealing.
- Spring safety catch gives good resistance to accidental opening by vibration.

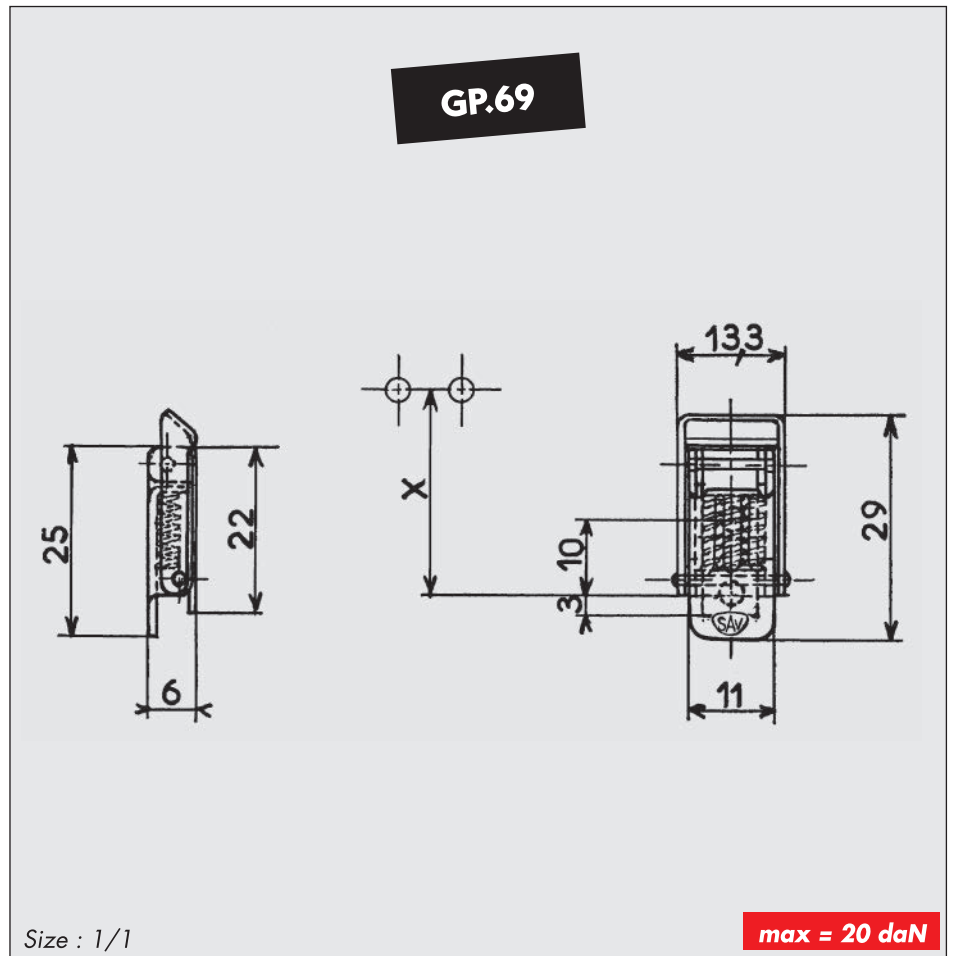
Other information :

- Approximate fixing position to give 250 daN tension
- $x = 167\text{mm}$
- Recommended catch plate s: AC 158 or AC 159
- Lever : Metal thickness 2 mm
- Base : Metal thickness 2 mm
- Link : Metal thickness 2 mm
- Travel of sinusoidal spring : 3.5 mm

MATERIAL	FINISH	FIXING	kg/100	REFERENCES
Steel	white zinc plated	with holes	27,500	GP.48-ZI
Steel	yellow zinc plated	with holes	27,500	GP.48-ZB*
St. steel A2	raw	with holes	27,500	GP.48-IB*



full size



Description :

- Miniature enclosed spring model.
- Allows positional misalignment.
- Latch always under tension.
- Fail safe design prevents over extension of the link.

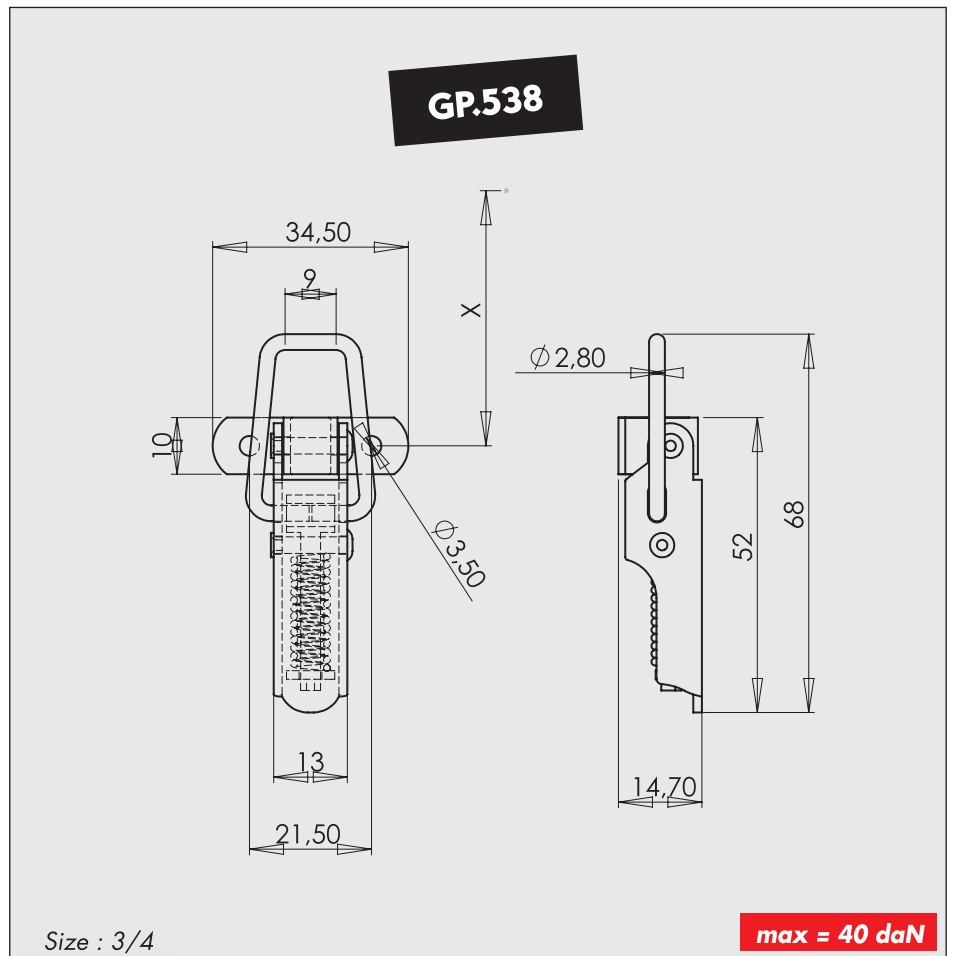
Other information :

- Approximate fixing position to give 15 daN tension, using catch plate AC 166
- $x = 28.5\text{mm}$
- Recommended catch plate : AC 166
- Lever : Metal thickness 0.8 mm
- Base : Metal thickness 1 mm
- Link : Metal thickness 1 mm

MATERIAL	FINISH	FIXING	kg/100	REFERENCES
Steel	white zinc plated	with holes	0,630	GP.69-ZI
Steel	yellow zinc plated	with holes	0,630	GP.69-ZB*
St. steel A2	raw	with holes	0,630	GP.69-IB



full size



Description :

- Enclosed spring model.
- Narrow base plate permits fixing in restricted areas.
- Allows positional misalignment.
- Latch always under tension.

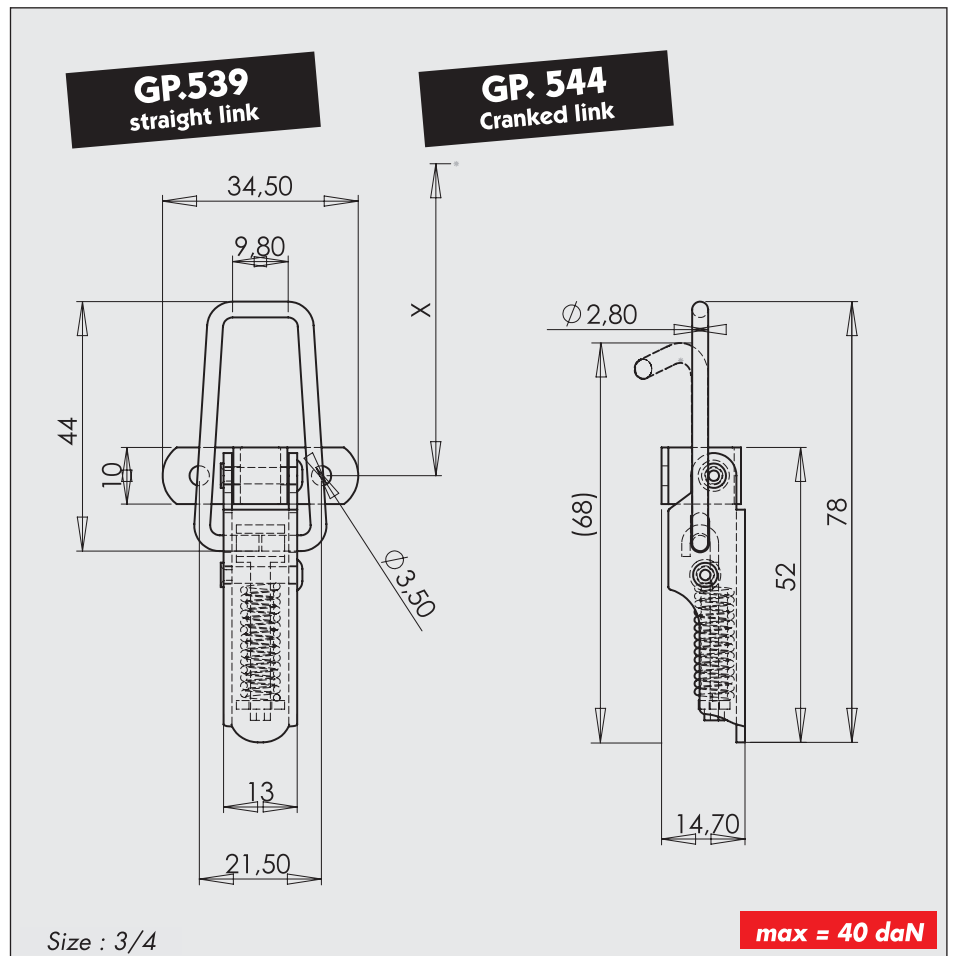
Other information :

- Approximate fixing position to give 25 daN tension, using catch plate AC 236
- $x = 33$ mm
- Recommended catch plate : AC 236
- Lever : Metal thickness 1.5 mm
- Base : Metal thickness 1.2 mm
- Link : 2.8 mm dia. in steel, 2.5 mm dia in stainless steel

MATERIAL	FINISH	FIXING	kg/100	REFERENCES
Steel	white zinc plated	with holes	3,000	GP.538-ZI
Steel	yellow zinc plated	with holes	3,000	GP.538-ZB*
St. steel A2	raw	with holes	3,000	GP.538-IB*



full size



Size : 3/4

max = 40 daN

Description :

- Enclosed spring model.
- Narrow base plate permits fixing in restricted areas.
- Allows positional misalignment.
- Latch always under tension.
- Fail safe design prevents over extension of the link.
- Type GP 539 with straight link, GP 544 with hook link for latching into a groove or over a lid.

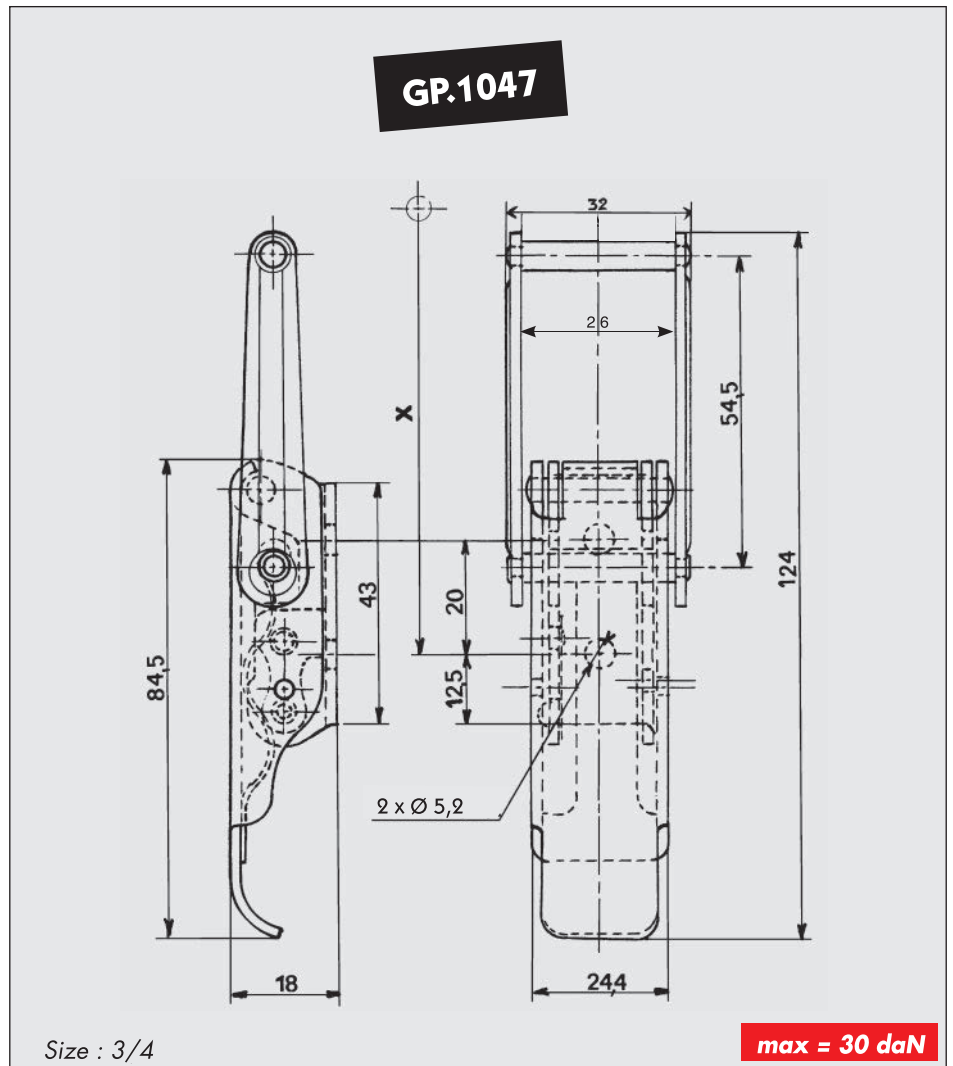
Other information :

- Approximate fixing position for P539 to give 25 daN tension, using catch plate AC 236
- $x = 43\text{mm}$
- Recommended catch plate : AC 236
- Lever : Metal thickness 1.5 mm
- Base : Metal thickness 1.2 mm
- Link : 2.8 mm dia in steel, 2.5 mm dia in stainless steel

MATERIAL	FINISH	FIXING	kg/100	REFERENCES	
Steel	white zinc plated	with holes	3,100	GP.539-ZI	GP.544-ZI
Steel	yellow zinc plated	with holes	3,100	GP.539-ZB*	GP.544-ZB*
St. steel A2	raw	with holes	3,100	GP.539-IB*	GP.544-IB*



full size



Description :

- Spring action allows latch to function as a valve in cases of accidental internal pressure build up.

Other information :

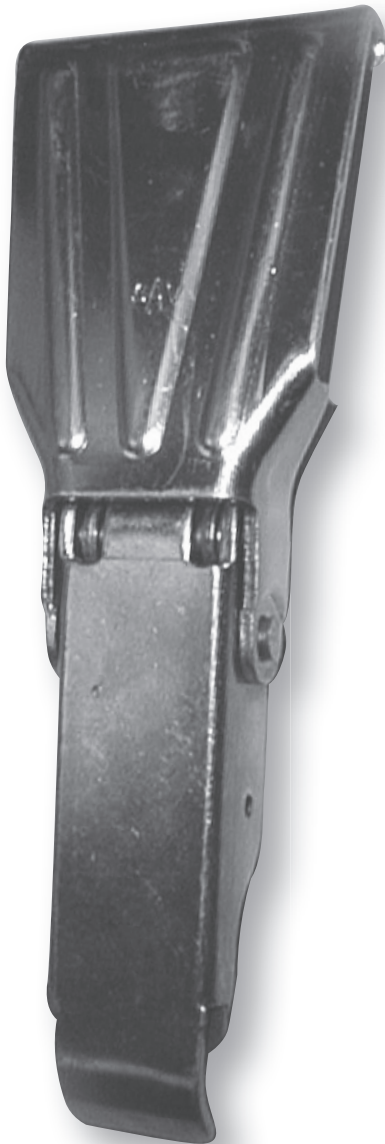
- Approximate fixing position to give 25 daN tension, using catch plate AC 144
- $x = 86 \text{ mm}$
- Recommended catch plate : AC 144
- Lever : Metal thickness 2 mm
- Base : Metal thickness 2 mm
- Link : Side plates : Metal thickness 2 mm
- Bar : 5mm dia.
- Travel of sinusoidal spring : 2.5 mm

MATERIAL	FINISH	FIXING	kg/100	REFERENCES
Steel	white zinc plated	with holes	11,200	GP.1047-ZI
Steel	yellow zinc plated	with holes	11,200	GP.1047-ZB*
St. steel A2	raw	with holes	11,200	GP.1047-IB

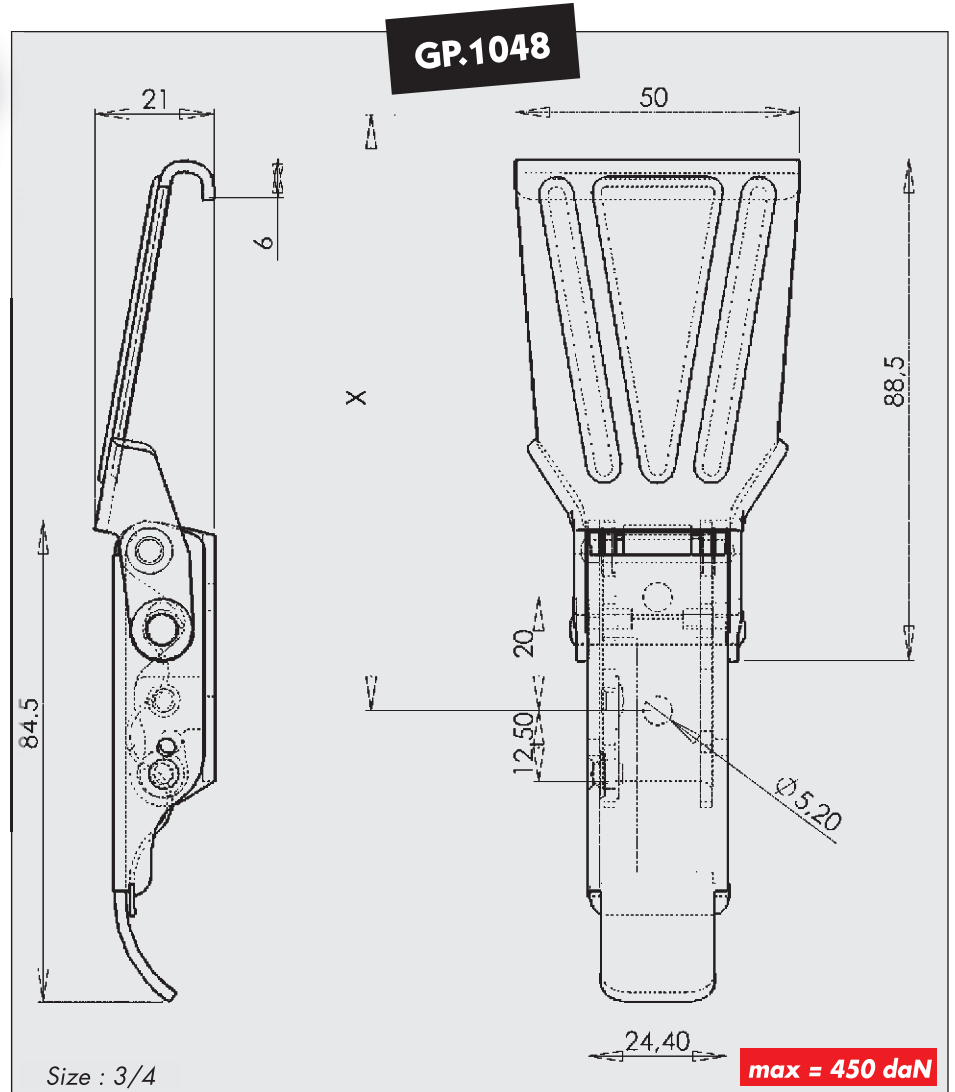
TOGGLE LATCHES



Spring loaded toggle latch



full size



Description :

- Spring action allows latch to function as a valve in cases of accidental internal pressure build up.
- Latch always under tension.
- Fail safe design prevents over extension of the spring.
- Possibility of sealing.
- Spring safety catch gives good resistance to accidental opening by vibration.

Other information :

- Approximate fixing position to give 250 daN tension, using catch plate AC 158
- $x = 111.7$ mm
- Recommended catch plate : AC 158 or AC 159
- Lever : Metal thickness 2 mm
- Base : Metal thickness 2 mm
- Link : Metal thickness 2 mm
- Travel of sinusoidal spring : 2.5 mm

MATERIAL	FINISH	FIXING	kg/100	REFERENCES
Steel	white zinc plated	with holes	11,500	GP.1048-ZI
Steel	yellow zinc plated	with holes	11,500	GP.1048-ZB*
St. steel A2	raw	with holes	11,500	GP.1048-IB

* References only produced on order

TOGGLE LATCHES



Spring loaded toggle latch

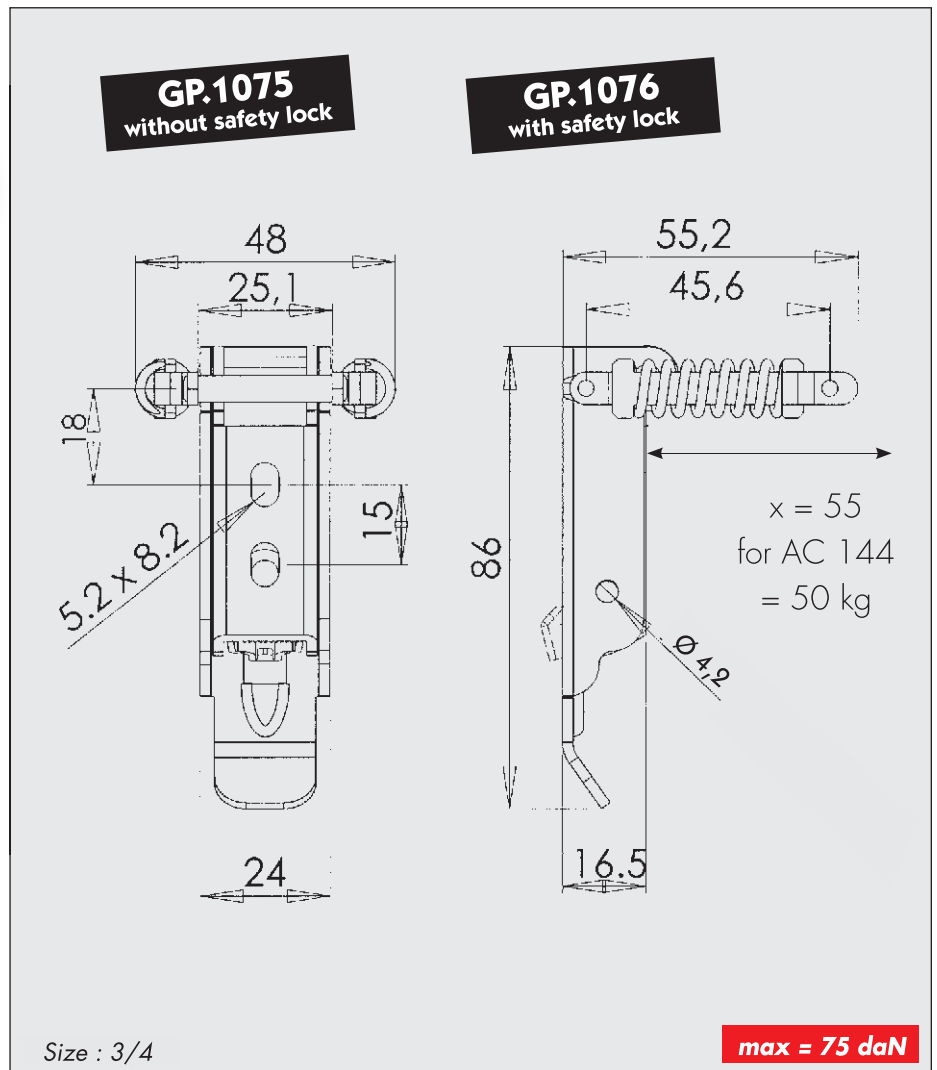
Right angle large size

GP.1076



full size

GP.1075



Description :

- Right angle models.
- Allows positional misalignment.
- Latch always under tension.
- Fail safe design prevents over extension of the link.
- Two slotted fixing holes in the base plate.
- Type GP 1076 has manual safety lock preventing accidental unlatching.
- Possibility of sealing.

Other information :

- Recommended catch plates : AC 122 or AC 144
- Lever : Metal thickness 2 mm
- Base : Metal thickness 2 mm
- Link : Side bars 2 mm thick
Locking pin 1.2 mm dia.

MATERIAL	FINISH	FIXING	kg/100	REFERENCES	kg/100	REFERENCES
Steel	white zinc plated	with holes	12,300	GP.1075-ZI	12,800	GP.1076-ZI
Steel	yellow zinc plated	with holes	12,300	GP.1075-ZB*	12,800	GP.1076-ZB*
St. steel A2	raw	with holes	12,300	GP.1075-IB	12,800	GP.1076-IB

A3



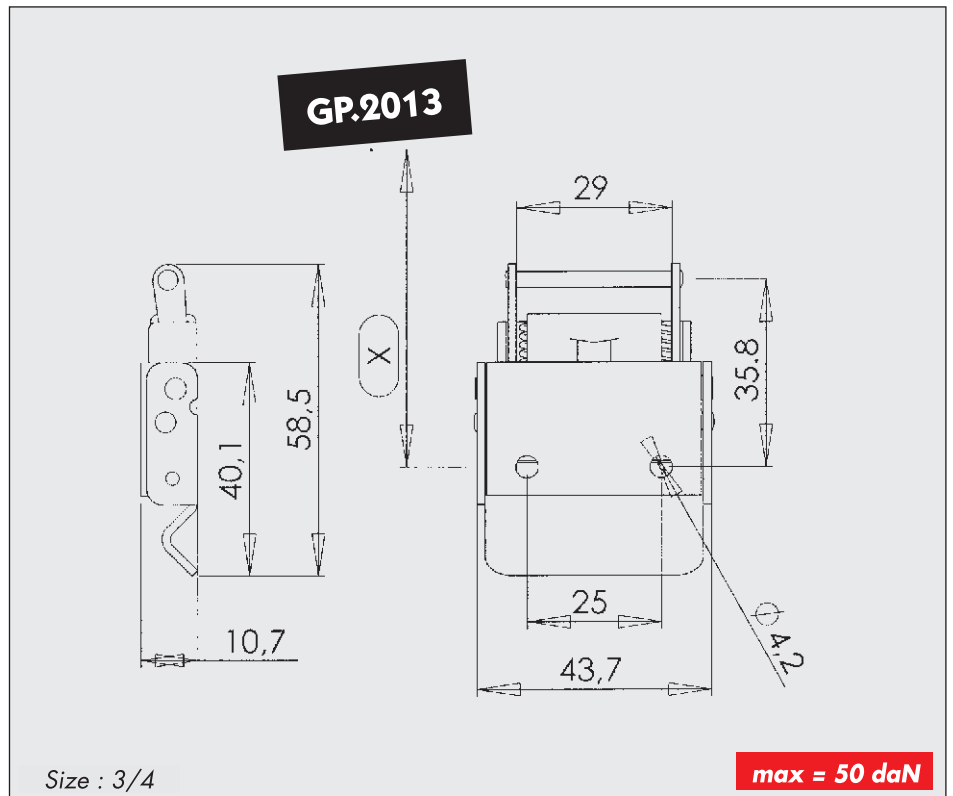
230

* References only produced on order

Large size ultra flat



full size



Description :

- Totally enclosed spring mechanism.
- Allows positional misalignment.
- Latch always under tension.
- Possibility of sealing.
- Fail safe design prevents over extension of the link.
- Compression springs in stainless steel in all versions.
- The spring mechanism is protected against the ingress of rain.
- Assembly rivets in stainless steel in all versions.

Other information :

- Approximate fixing position to give 35 daN tension, using catch plate AC 1113
- $x = 49.5\text{mm}$
- Recommended catch plate : AC 1113
- Lever : Metal thickness 1.5 mm
- Base : Metal thickness 1.5 mm
- Link : Side bars 1.5 mm thick
Locking pin 1.5 mm dia.

MATERIAL	FINISH	FIXING	kg/100	REFERENCES
Steel	white zinc plated	with holes	6,500	GP.2013-ZI
Steel	yellow zinc plated	with holes	6,500	GP.2013-ZB*
St. steel A2	raw	with holes	6,400	GP.2013-IB
St. steel A2	polished	with holes	6,400	GP.2013-IP*

GP.2075

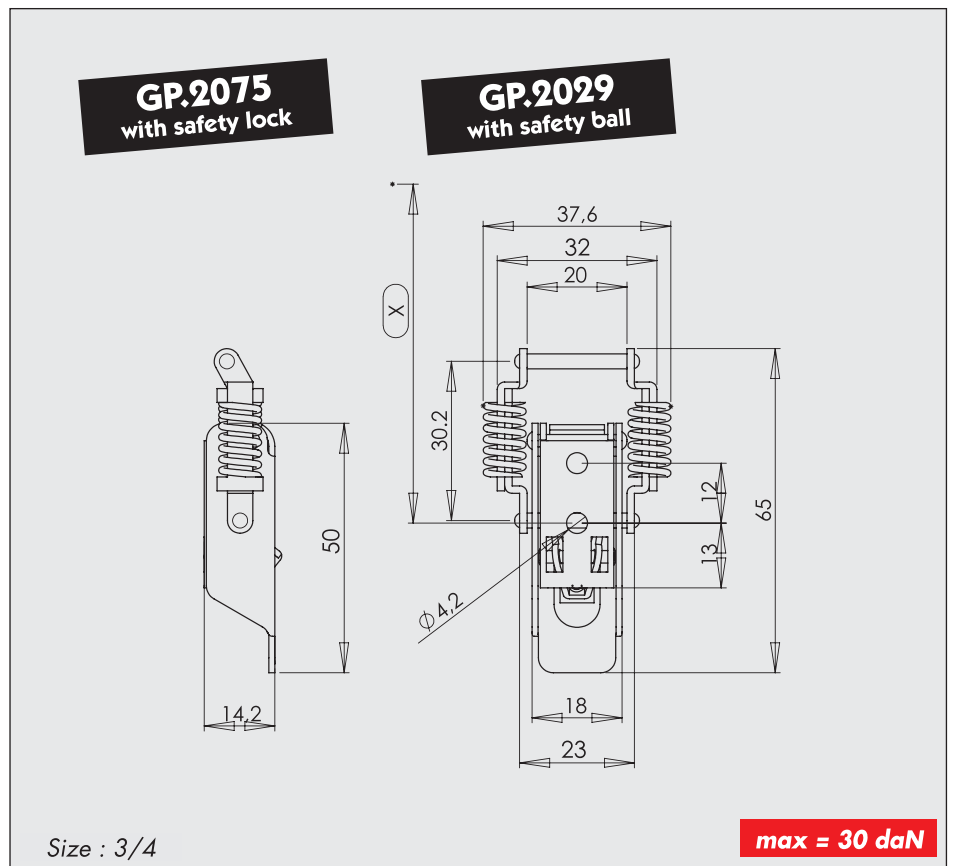


full size

GP.2029



full size



Description :

- Allows positional misalignment.
- Latch always under tension.
- Fail safe design prevents over extension of the link.
- Type GP 2075 has manual safety lock preventing accidental unlatching.

Other information :

- Approximate fixing position to give 20 daN tension, using catch plate AC 101
- $x = 47.9$ mm and with AC 104 $x = 58.7$ mm
- Recommended catch plates : Type AC 101 or AC 104
- Lever : Metal thickness 1.2 mm
- Base : Metal thickness 1.2 mm
- Link : Side bars 1.5 mm thick
Locking pin 1.2 mm dia

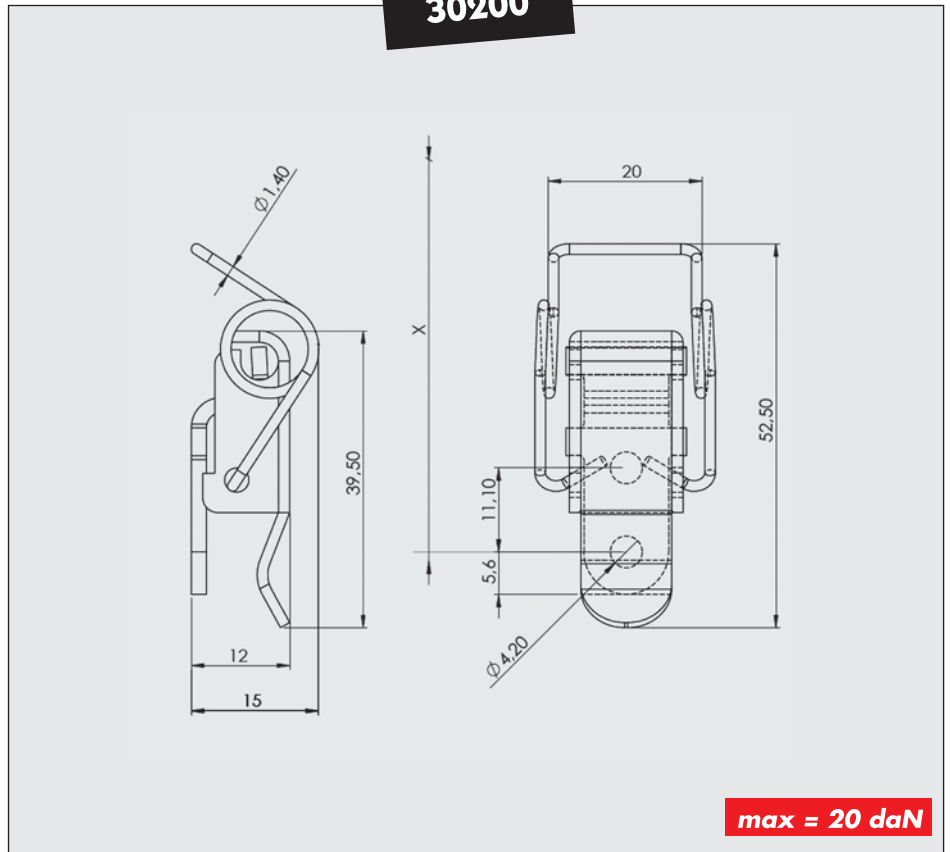
MATERIAL	FINISH	FIXING	kg/100	REFERENCES	kg/100	REFERENCES
Steel	white zinc plated	with holes	3,800	GP.2029-ZI	3,800	GP.2075-ZI
Steel	yellow zinc plated	with holes	3,800	GP.2029-ZB*	3,800	GP.2075-ZB*
St. steel A2	raw	with holes	4,000	GP.2029-IB	4,000	GP.2075-IB

NEW



full size

30200



max = 20 daN

Description :

- Available with or without padlock hasp facility.
- Interchangeable with American models.
- Wide positioning tolerance created by spring mechanism.
- Fail safe design prevents over extension of links.
- An immobilising spring is available to hold the latch flat against the equipment to which it is mounted when the latch is in the open position. This prevents the open latch rattling and renders it less liable to accidental damage.

Other information :

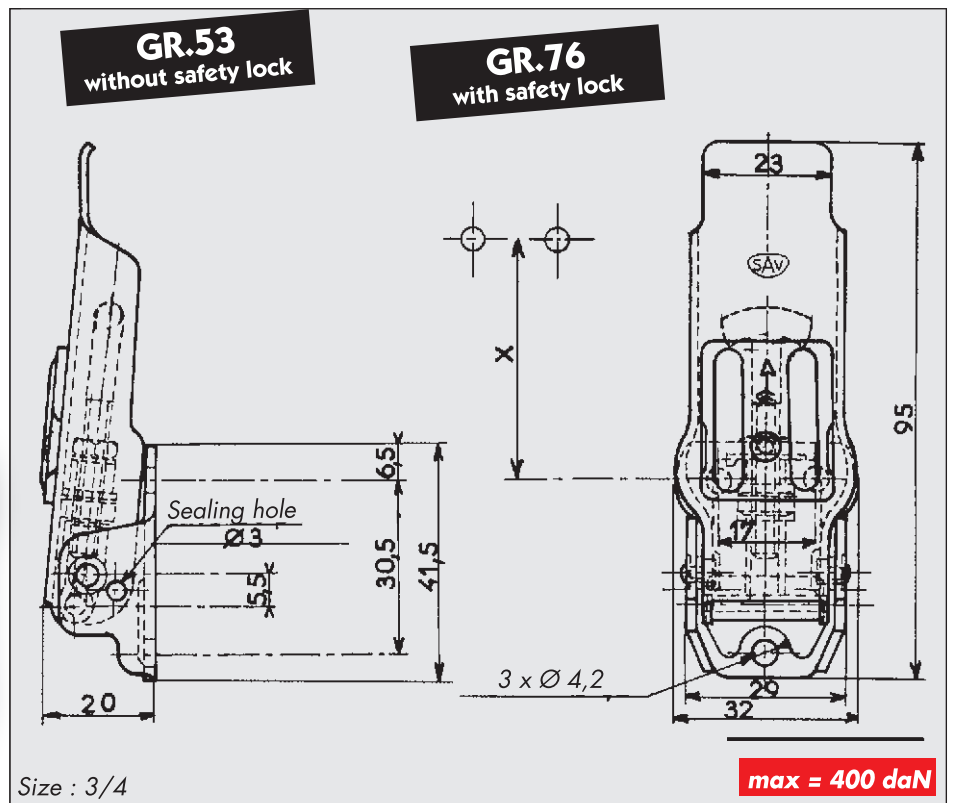
- Available with or without padlock hasp facility.
- Interchangeable with American models.
- Wide positioning Approximate fixing position to give 10 daN tension with AC 101
- $x = 58.5$ mm,
- Recommended Catch Plate : Type AC 101 or AC 104
- Lever : Metal Thickness 1.5 mm
- Base : Metal Thickness, Type GP 2 : 2.0 mm,
- Type GP 8 : 1.5 mm

- Spring : 1.4 mm diameter piano wire, steel
1.4 mm diameter piano wire, stainless steel
- Fail safe design prevents over extension of links.

MATERIAL	FINISH	FIXING	kg/100	RÉFÉRENCE
Steel	white zinc plated raw	with holes	1,6	30200 EZI
St. steel A2		with holes	1,6	30200 EIB*

Safety lock

full size



Description :

- Supplied with or without manual safety lock.
- Wide positioning tolerance.
- Possibility of sealing.
- Lies flat in open position minimising accidental damage.
- Design prevents lateral movement when locked.
- Adjustable in service enabling latch to operate efficiently despite some deformation or deterioration of lid seals etc.
- On type GR 76, manual safety button has to be pulled back at the same time as the lever is lifted for the latch to be released.

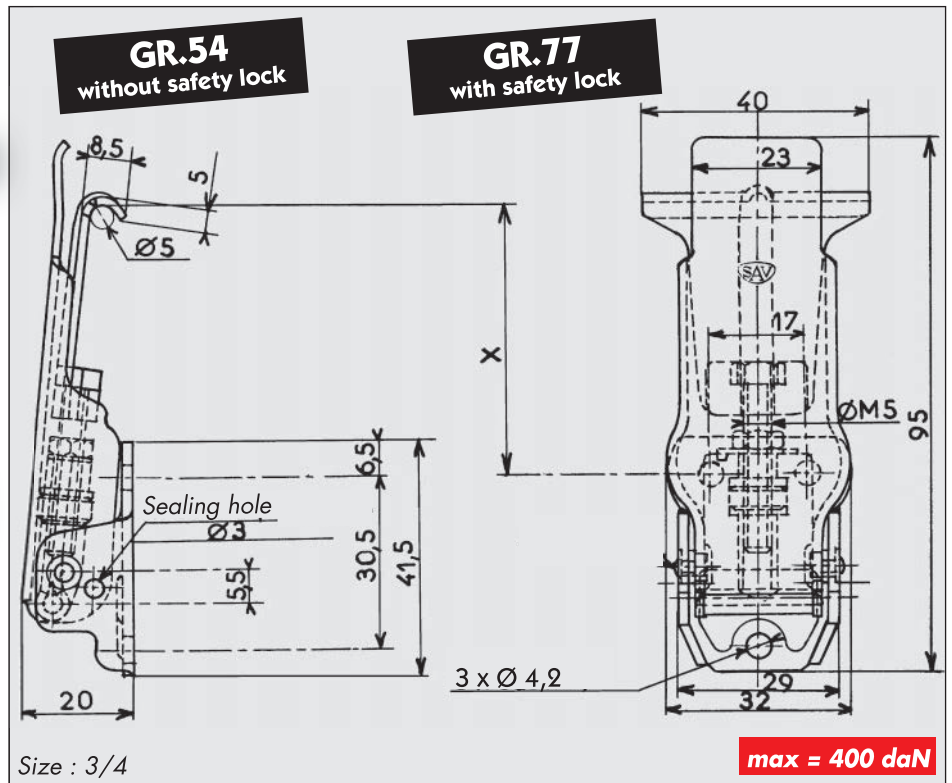
Other information :

- Dimension x varies between 41 mm and 50 mm.
- Recommended catch plate : Type AC 150
- Adjustment range : 9 mm
- Pull up: 12 mm
- Lever : Metal Thickness 1.5 mm
- Base : Metal Thickness 2.0 mm
- Link : 5 mm diameter formed bar

MATERIAL	FINISH	FIXING	kg/100	REFERENCES	kg/100	REFERENCES
Steel	white zinc plated	with holes	9,000	GR.53-ZI	9,600	GR.76-ZI
Steel	yellow zinc plated	with holes	9,000	GR.53-ZB*	9,600	GR.76-ZB*
St. steel A2	raw	with holes	9,000	GR.53-IB	9,600	GR.76-IB
St. steel A2	polished	with holes	9,000	GR.53-IP*		

Safety lock

full size



Description :

- Supplied with or without manual safety lock.
- Wide positioning tolerance.
- Possibility of sealing.
- Lies flat in open position minimising accidental damage.
- Adjustable in service enabling latch to operate efficiently despite some deformation or deterioration of lid seals etc.
- May be used with or without catch plate.
- Assembly rivets stainless steel 18/8 in all cases.

Other information :

- Dimension x varies between 47.3 mm and 56.2 mm
- Recommended catch plate : Type AC 160
- Adjustment range : 9.0 mm
- Pull-up : 12.0 mm
- Lever : Metal thickness 1.5 mm
- Base : Metal thickness 2.0 mm
- Link : Metal thickness 1.5 mm

MATERIAL	FINISH	FIXING	kg/100	REFERENCES	kg/100	REFERENCES
Steel	white zinc plated	with holes	10,000	GR.54-ZI	10,700	GR.77-ZI
Steel	yellow zinc plated	with holes	10,000	GR.54-ZB*	10,700	GR.77-ZB*
St. steel A2	raw	with holes	10,000	GR.54-IB	10,700	GR.77-IB
St. steel A2	polished	with holes	10,000	GR.54-IP*		

TOGGLE LATCHES



Adjustable toggle latch

GR.55



size 2/3

GR.2055



size 2/3

Large size

Small size

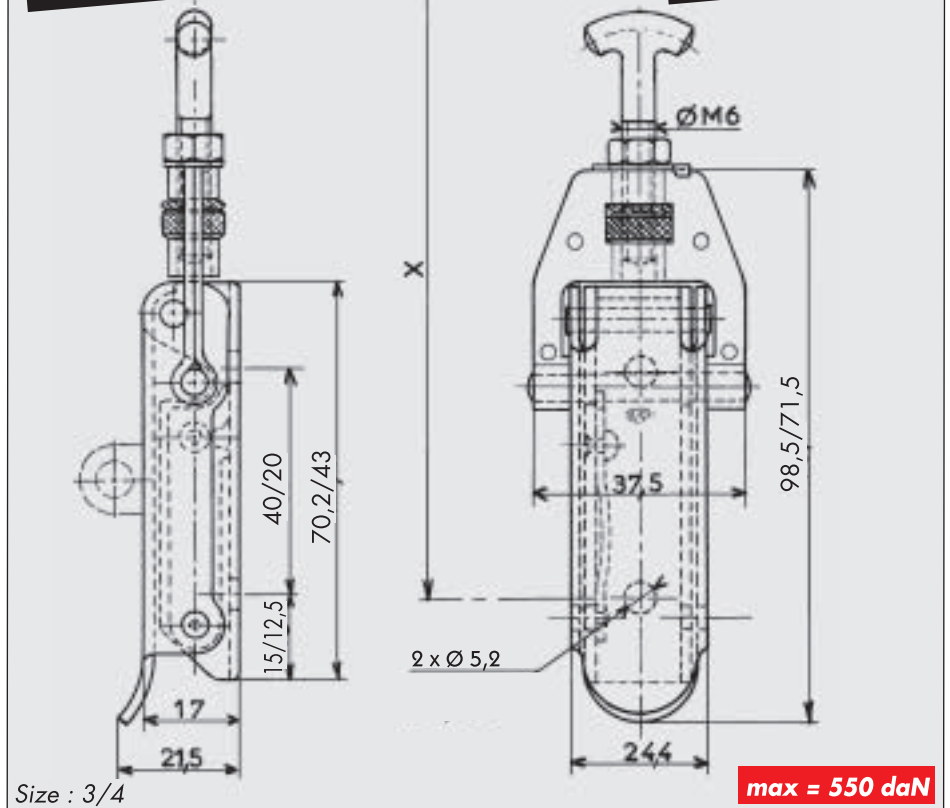
GR.55
without padlock hasp

GR.1055
with safety lock (1)

GR.2088
with padlock hasp (1)

GR.88
with padlock hasp (1)

GR.2055
without padlock hasp



Size : 3/4

Description :

- Wide positioning tolerance.
- Design prevents lateral movement when locked.
- Possibility of sealing.
- Adjustable in service enabling latch to operate efficiently despite some deformation or deterioration of lid seals etc.
- GR 55 has spring safety lock gives good resistance to accidental opening by vibration.
- GR 88 has padlock hasp without spring safety lock.
- Assembly rivets made in stainless steel 18/8 in all cases.
- A version of this latch with a hooked link is available - GR 57

Other information :

- Dimension x varies between 114 mm and 123 mm.
- Recommended catch plate : Type AC 153
- Adjustment range : 8.0 mm
- Lever : Metal Thickness 2.0 mm
- Base : Metal Thickness 2.0 mm
- Link : 6mm dia. formed bar.

MATERIAL	FINISH	FIXING	kg/100	REFERENCES	kg/100	REFERENCES	kg/100	REFERENCES	kg/100	REFERENCES	kg/100	REFERENCES
Steel	white zinc plated	with holes	13,500	GR.55-ZI	13,300	GR.88-ZI	15,600	GR.1055-ZB*	10,200	GR.2055-ZI	10,000	GR.2088-ZI
Steel	yellow zinc plated	with holes	13,500	GR.55-ZB*	13,300	GR.88-ZB*	15,600	GR.1055-ZB*	10,200	GR.2055-ZB*	10,000	GR.2088-ZB*
St. steel A2	raw	with holes	13,500	GR.55-IB	13,300	GR.88-IB	15,600	GR.1055-IB*	10,200	GR.2055-IB*	10,000	GR.2088-IB*

(1) without safety spring inside lever

GR.63

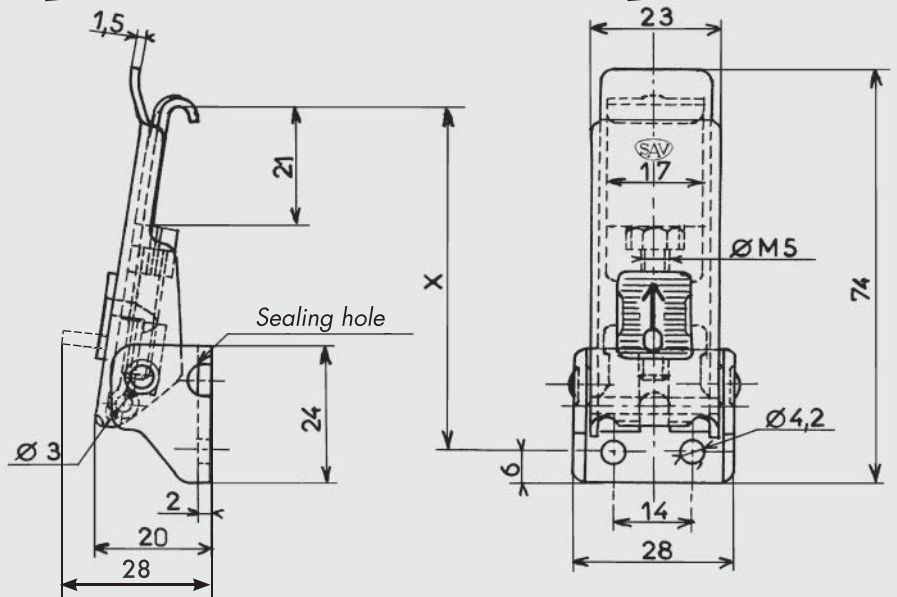
full size



GR.62
With safety lock

GR.63
without safety lock

GR.1063
with padlock hasp



Size : 3/4

max = 190 daN

GR.62



GR.1063



Description :

- Available with or without manual safety lock.
- Wide positioning tolerance.
- Possibility of sealing.
- Can be utilised for gripping in groove without use of catch plate.
- In open position latch lies flat minimising accidental damage.
- Adjustable in service enabling latch to operate efficiently despite some deformation or deterioration of lid seals etc.
- Assembly rivets made in stainless steel 18/8 in all cases.
- On type GR 62 the manual safety button has to be pulled back at the same time as the lever is lifted for the latch to be released.

Other information :

- Dimension x varies between 58.5 mm and 63.5 mm (Type GR 62)
- Dimension x varies between 57.5 mm and 63.5 mm (Type GR 63)
- Recommended catch plate : Type AC 161
- Adjustment range Type GR 62: 5.0 mm
Type GR 63: 6.0 mm
- Pull up : 11.0 mm
- Lever : Metal Thickness 1.5 mm
- Base : Metal Thickness 2.0 mm
- Link : Metal Thickness 2.0 mm

MATERIAL	FINISH	FIXING	kg/100	REFERENCES	kg/100	REFERENCES	kg/100	REFERENCES
Steel	chrome-plated	with holes	6,400	GR.62-CH	6,300	GR.63-CH		
Steel	white zinc plated	with holes	6,400	GR.62-ZI	6,300	GR.63-ZI	6,000	GR.1063-ZI
Steel	yellow zinc plated	with holes	6,400	GR.62-ZB*	6,300	GR.63-ZB*	6,000	GR.1063-ZB*
St. steel A2	raw	with holes	6,400	GR.62-IB	6,300	GR.63-IB	6,000	GR.1063-IB
St. steel A2	polished	with holes	6,400	GR.62-IP	6,300	GR.63-IP	6,000	GR.1063-IP*
St. steel A2	passivated	with holes	6,400	GR.62-IA*	6,300	GR.63-IA*		



full size

GR.57
without padlock hasp

GR.96
with padlock hasp (1)

GR.1057
with key lock (1)

Description :

- 2 Link sizes available.
- Possibility of sealing.
- Can be utilised for gripping in groove without use of catch plate.

Other information :

- Dimension XA varies between 135 mm and 146 mm - Link A
- Dimension XB varies between 118 mm and 129 mm - Link B
- Recommended catch plate : Type AC 151
- Adjustment range : 18.0 mm
- Lever : Metal Thickness 2.0 mm
- Base : Metal Thickness 2.0 mm
- Link : Metal Thickness 2.0 mm

MATERIAL	FINISH	FIXING	kg/100	REFERENCES	EQUIPÉE AVEC
St. steel A2	raw	with holes	18,400	GR.57-IB	Patte d'accrochage A
Steel	white zinc plated	with holes	18,400	GR.57-ZI	Patte d'accrochage A
Steel	yellow zinc plated	with holes	18,400	GR.57-ZB*	Patte d'accrochage A
Steel	white zinc plated	with holes	17,200	GR.57-EZI	Patte d'accrochage B
Steel	yellow zinc plated	with holes	17,200	GR.57-EZB*	Patte d'accrochage B
St. steel A2	raw	with holes	17,200	GR.57-EIB	Patte d'accrochage B
Steel	white zinc plated	with holes	18,400	GR.96-ZI	Patte d'accrochage A
Steel	yellow zinc plated	with holes	18,400	GR.96-ZB*	Patte d'accrochage A
St. steel A2	raw	with holes	18,400	GR.96-IB	Patte d'accrochage A
Steel	white zinc plated	with holes	17,200	GR.96-EZI	Patte d'accrochage B
Steel	yellow zinc plated	with holes	17,200	GR.96-EZB*	Patte d'accrochage B
St. steel A2	raw	with holes	17,200	GR.96-EIB	Patte d'accrochage B
Steel	white zinc plated	with holes	20,500	GR1057-ZI	Patte d'accrochage A
Steel	yellow zinc plated	with holes	20,500	GR1057-ZB*	Patte d'accrochage A
St. steel A2	raw	with holes	20,500	GR1057-IB*	Patte d'accrochage A
Steel	white zinc plated	with holes	19,300	GR1057-EZI	Patte d'accrochage B
Steel	yellow zinc plated	with holes	19,300	GR1057-EZB*	Patte d'accrochage B
St. steel A2	raw	with holes	19,300	GR1057-EIB*	Patte d'accrochage B

GR.57
without padlock hasp

GR.96
with padlock hasp (1)

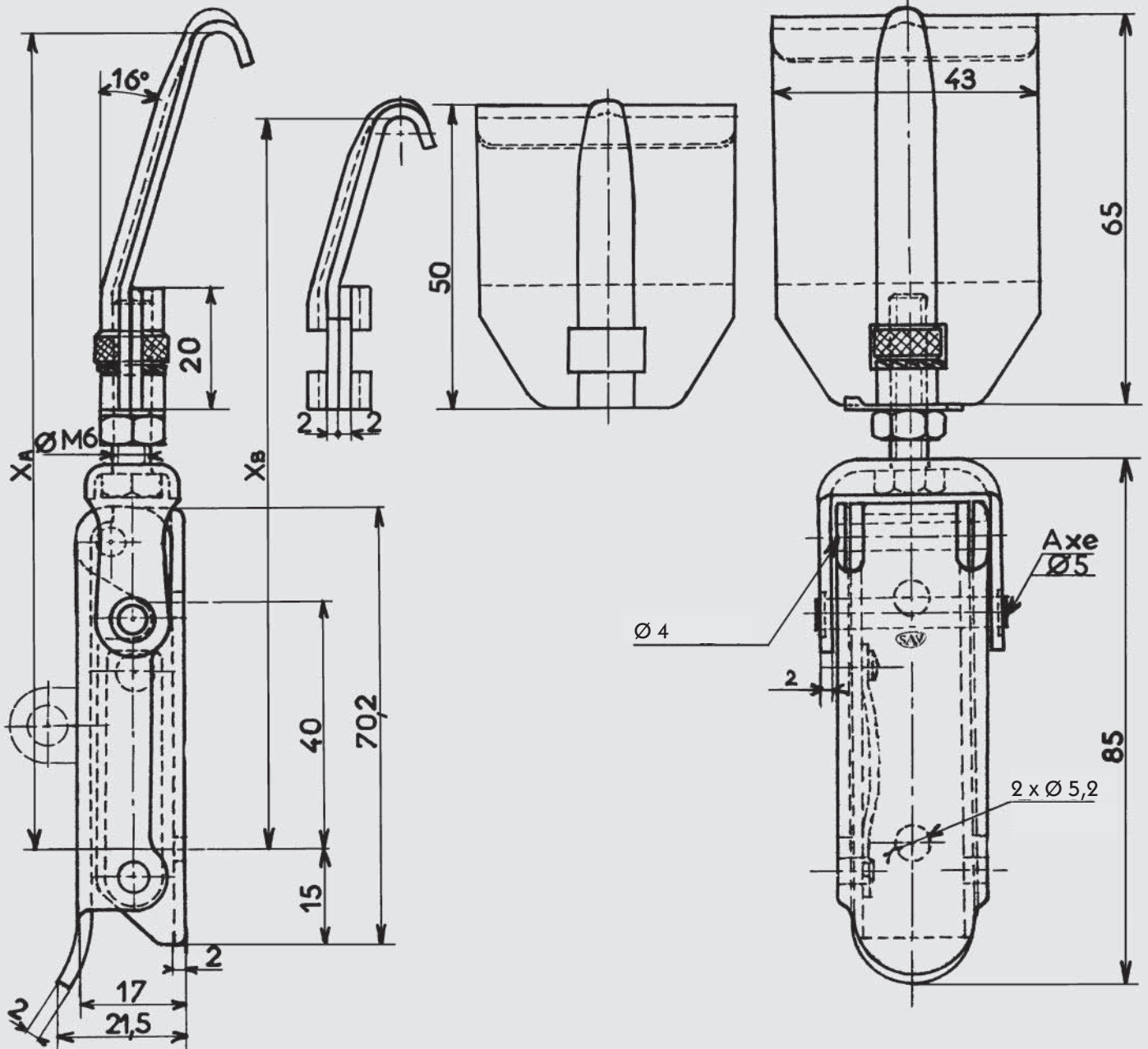
GR.1057
with key lock (1)

Link B

Ⓑ

Link A

Ⓐ



max = 600 daN

(1) without spring inside lever

GR.58
without safety lock

GR.78
with safety lock (1)



full size

Description :

- 2 Link sizes available.
- In unlocked position, spring loaded claw link automatically folds back on lever, giving low profile thus minimising possibility of accidental damage.
- Possibility of sealing.
- Can be utilised for gripping in groove without use of catch plate.
- Spring safety lock gives good resistance to accidental opening by vibration.
- Return spring and assembly rivets are stainless steel 18/8 in all cases.

Other information :

- Dimension x varies between 112 mm and 119 mm - Link A
- Dimension x varies between 97 mm and 104 mm - Link B
- Recommended catch plate : Type AC 151
- Adjustment range : 7.0 mm
- Lever : Metal Thickness 2.0 mm
- Base : Metal Thickness 2.0 mm
- Link : Metal Thickness 2.0 mm

MATERIAL	FINISH	FIXING	kg/100	REFERENCES patte d'accrochage A	kg/100	REFERENCES patte d'accrochage B
Steel	yellow zinc plated	with holes	18,000	GR.58-ZB*	16,800	GR.58-EZB*
St. steel A2	passivated	with holes	18,000	GR.58-IA	16,800	GR.58-EIA
Steel	yellow zinc plated	with holes	18,740	GR.78-ZB*	17,270	GR.78-EZB*
St. steel A2	raw	with holes	19,000	GR.78-IB	17,800	GR.78-EIB

GR.58
without safety lock

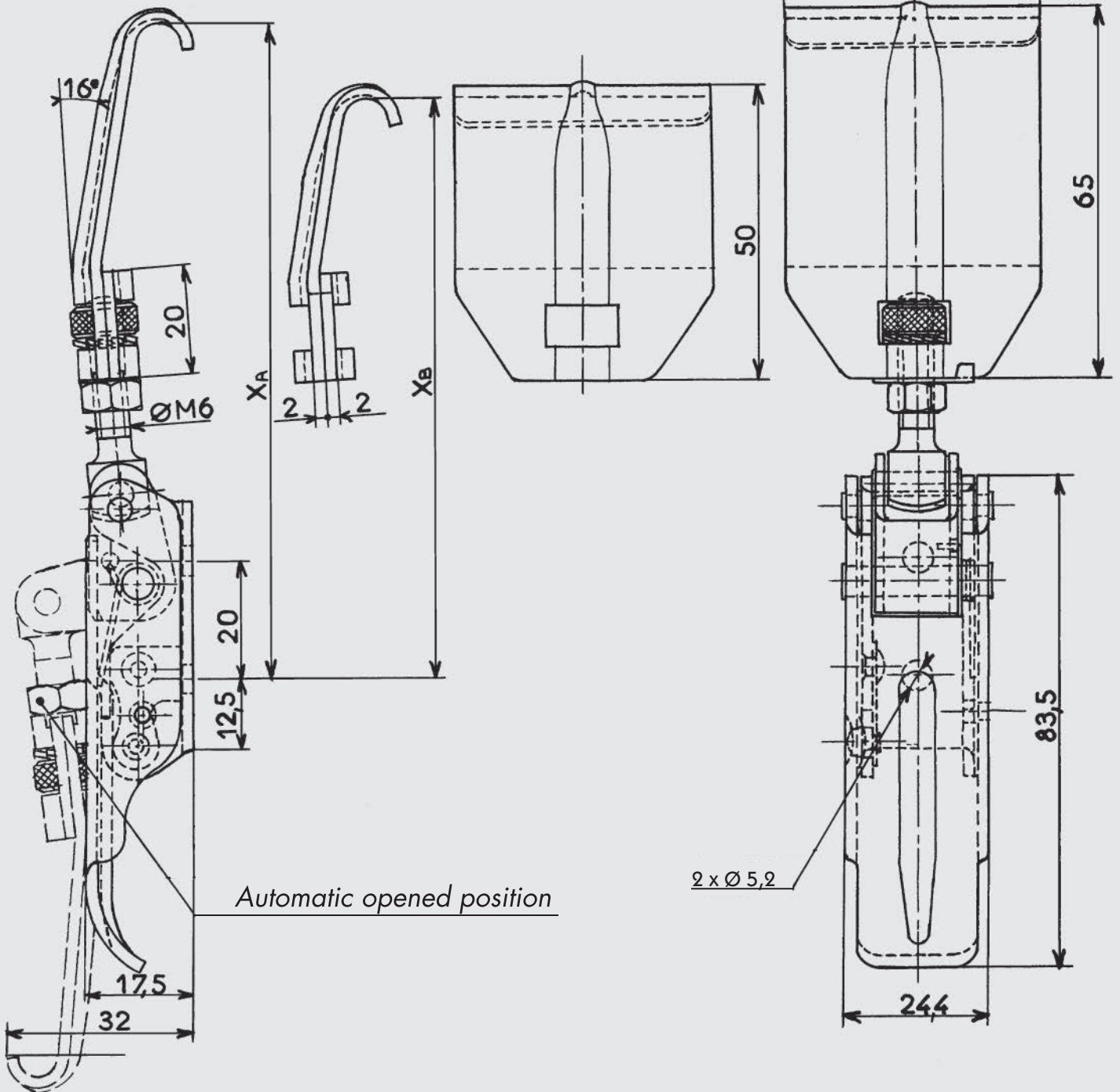
GR.78
with safety lock (1)
(same safety lock as GP 75)

Link B

Link A

(B)

(A)



max = 600 daN

(1) without spring inside lever

GR.98
without spring



full size

GR.99
with spring



Description :

- High strength .
- Thread adjustment accommodates large positional misalignments and can be adjusted in place, making it particularly suitable for use on containers where gaskets may need re-tensioning after time in service.
- Spring accommodates small positional misalignments.
- Spring allows tension to be gradually applied in closing the latch making for easier operation.
- Safety pin 360821 manufactured from spring steel secures the lever to the base to prevent accidental unlocking - please order separately.

Other information :

- Ultimate Tension 1200 daN
- Recommended catch plate : AC 173
- Thread Adjustment 13 mm
- Spring Travel 3 mm
- Material: Mild steel (case hardened where necessary)
- Finish : Zinc and Passivate

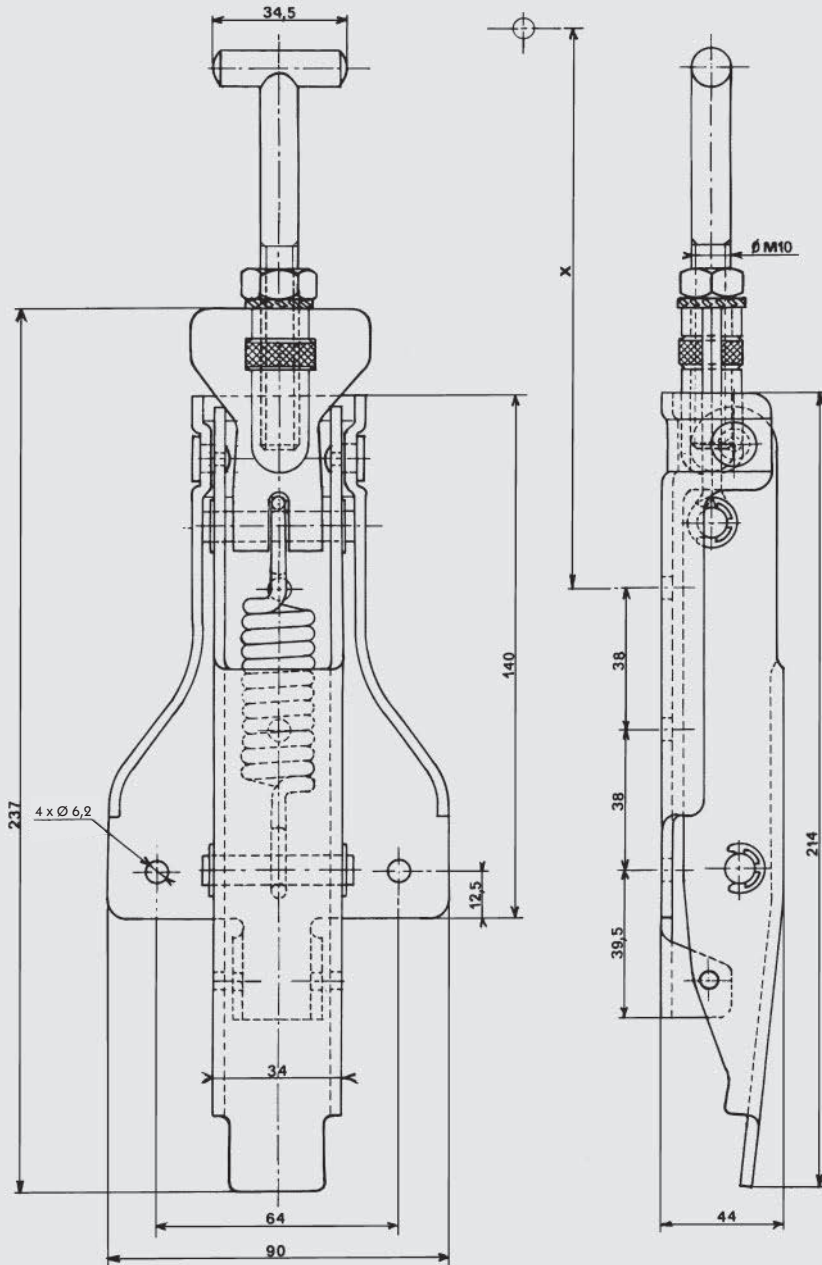
TOGGLE LATCHES



Adjustable toggle latch

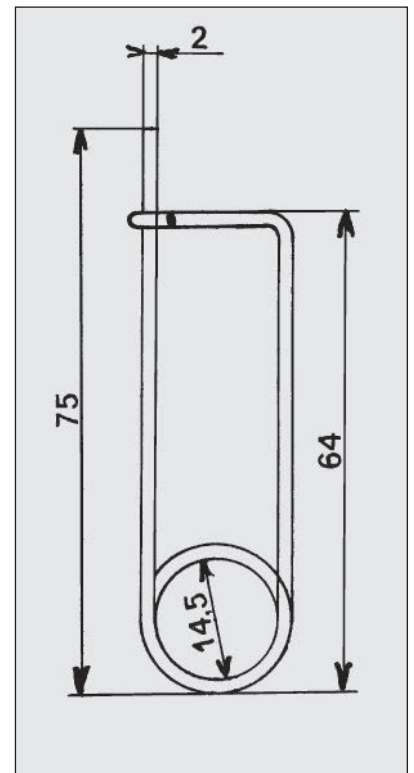
GR.98
without spring

GR.99
with spring



Safety pin

kg/100	REFERENCE
0,550	<u>AZ 295 ZI</u>



Size : 1/2

max = 1900 daN

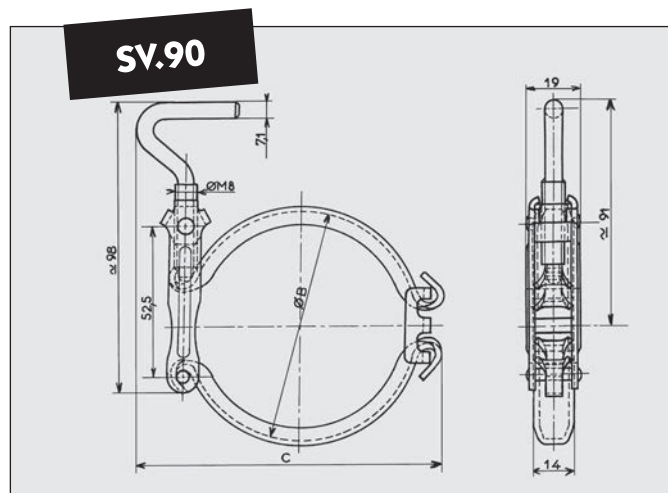
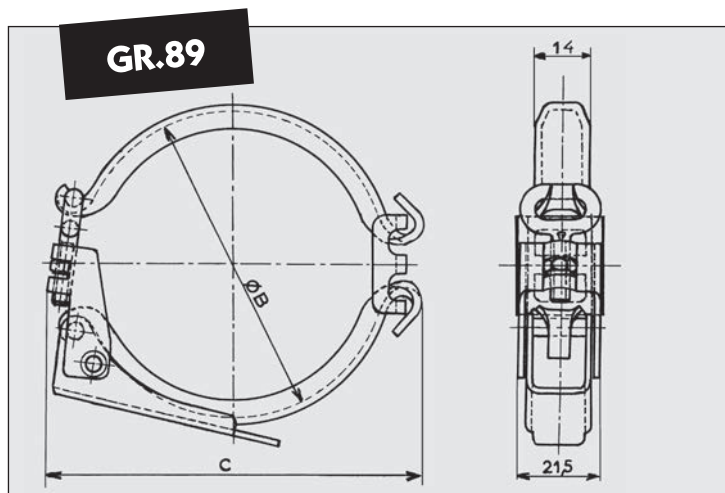
MATERIAL	FINISH	FIXING	kg/100	REFERENCES	kg/100	REFERENCES
Steel	white zinc plated	with holes	73,900	GR.98-ZI	81,700	GR.99-ZI
Steel	yellow zinc plated	with holes	73,900	GR.98-ZB*	81,700	GR.99-ZB*
St. steel A2	raw	with holes	73,900	GR.98-IB*	81,700	GR.99-IB

A4 **8 0**

* References only produced on order

CLAMP SCREW

CLAMP SCREW

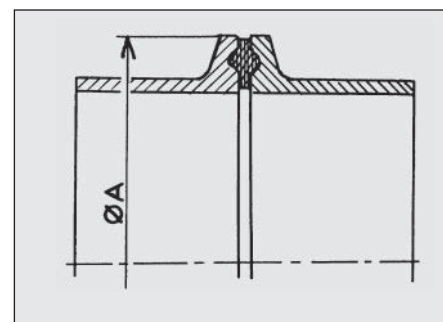


Description :

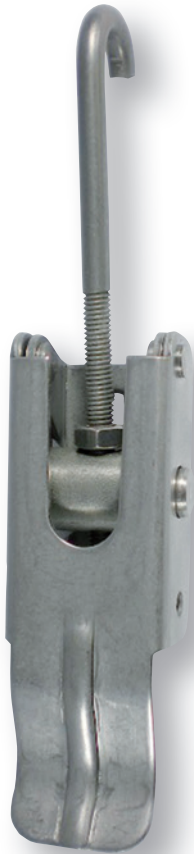
- Specific for conical collar
Adjustable in service enabling latch to operate efficiently despite some deformation or deterioration of lid seals etc.
- Collar for NF E29-521, 522, 523 and 524

Other information :

- Lever of toggle latch : Metal thickness 1.5 mm
- Clamps : Metal thickness 2.0 mm or 2.5 mm
- Link : M5 screw + nut M5

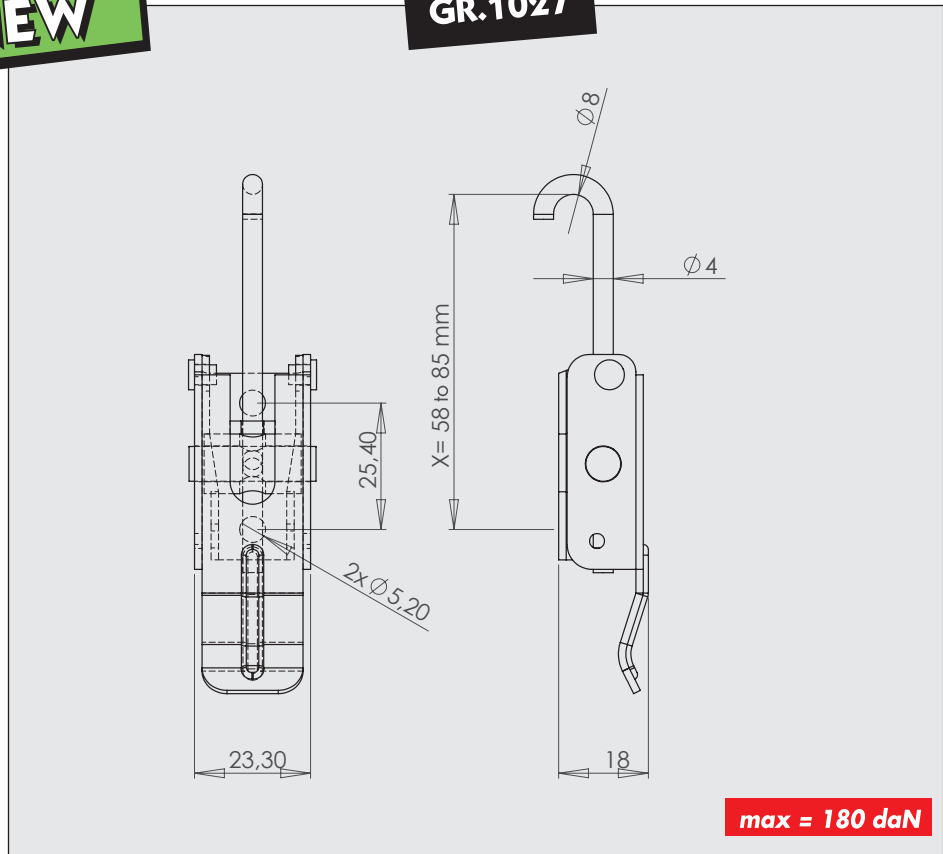


Ø A	Ø B	C	THICKNESS	MATERIAL	FINISH	CLAMP REFERENCE	TOGGLE LATCH REFERENCE	
50,5	54	69	2	St. steel A2	polished	GR.89-EIP	GR.89-IP	SV.90-IP
64	68	85	2	St. steel A2	polished	GR.89-FIP	GR.89-IP	SV.90-IP
77,5	81,5	100	2	St. steel A2	polished	GR.89-GIP	GR.89-IP	SV.90-IP
91	95	104	2,5	St. steel A2	polished	GR.89-HIP	GR.89-DIP	SV.90-IP
106	110	131	2,5	St. steel A2	polished	GR.89-IIP	GR.89-DIP	SV.90-IP
119	123	145	2,5	St. steel A2	polished	GR.89-JIP	GR.89-DIP	SV.90-IP
130	134	159	2,5	St. steel A2	polished	GR.89-KIP	GR.89-DIP	SV.90-IP
155	159	184	2,5	St. steel A2	polished	GR.89-LIP*	GR.89-DIP	SV.90-IP



NEW

GR.1027



Description :

- Wide positioning tolerance.
- Possibility of sealing.
- Adjustable in service enabling latch to operate efficiently despite some deformation or deterioration of lid seals etc.
- May be used with or without catch plate.
- Assembly rivets stainless steel 18/8 in all cases.

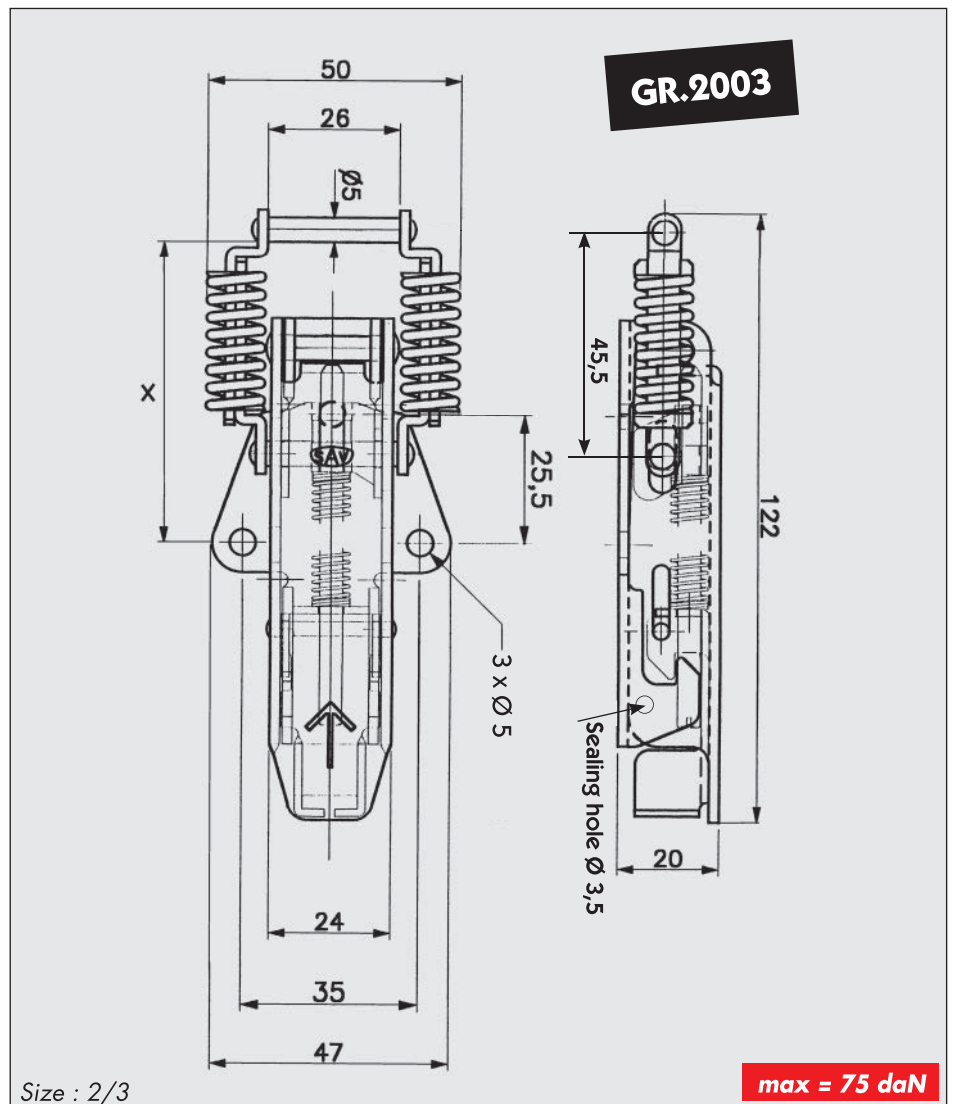
Other information :

- Dimension x varies between 58 mm and 85 mm.
- Adjustment range : 27 mm
- Lever : Metal Thickness 1.5 mm
- Base : Metal Thickness 1.5 mm
- Link : 4 mm diameter formed bar

MATERIAL	FINISH	FIXING	kg/100	RÉFÉRENCE
Steel St. steel A2	white zinc plated raw	with holes with holes	6,5 6,5	GR 1027 ZI* GR 1027 IB



full size



Description :

- Screw adjustment gives wide positional tolerance whilst spring loaded links give constant tension on the latch and provide tolerance between interchangeable components.
- Supplied with manual safety lock to prevent accidental unlatching.
- Adjustable in service enabling latch to operate efficiently despite deformation or deterioration of lid seals etc.

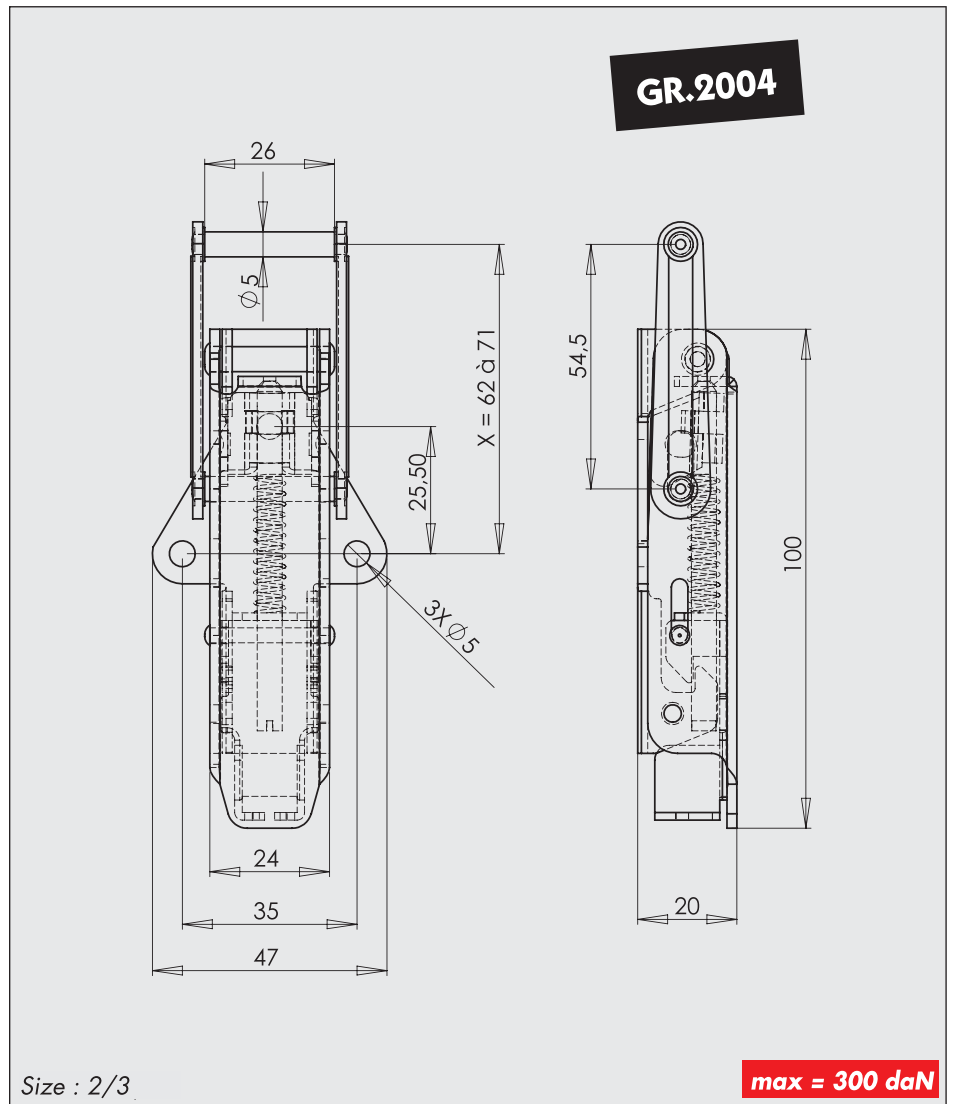
Other information :

- Dimension x varies between 62 mm and 71 mm for a working tension of 35 daN.
- Adjustment range : 9 mm
- Spring movement : 5 mm with a tension variation between 10 and 35 daN
- Recommended catch plate : AC 122
- Lever: Metal thickness 2 mm
- Base : Metal thickness 2 mm
- Link : Side plated 2 mm
Locking bar 5 mm dia.

MATERIAL	FINISH	FIXING	kg/100	REFERENCES
Steel	white zinc plated	with holes	19,000	GR.2003-ZI
Steel	yellow zinc plated	with holes	19,000	GR.2003-ZB*
St. steel A2	raw	with holes	19,000	GR.2003-IB



full size



Description :

- Screw adjustment gives wide positional tolerance.
- Supplied with manual safety lock to prevent accidental unlatching.
- Adjustable in service enabling latch to operate efficiently despite deformation or deterioration of lid seals etc.

Other information :

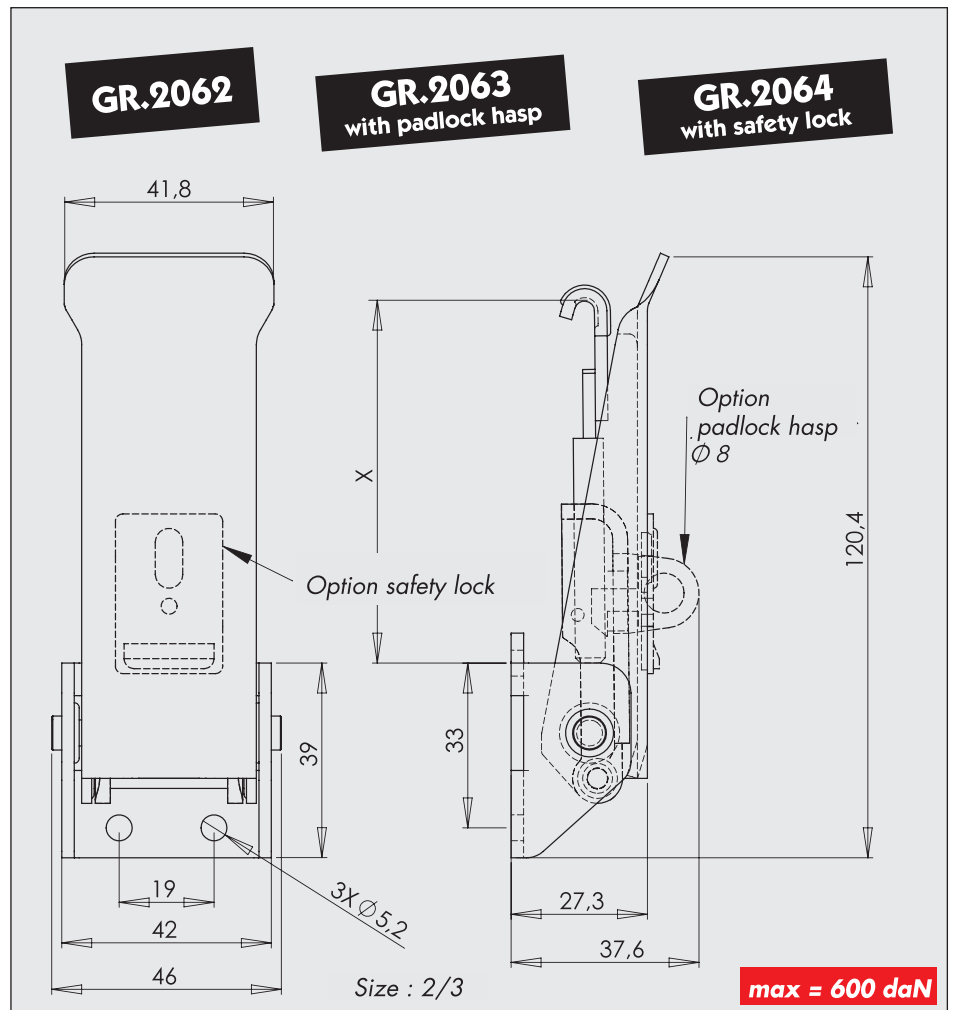
- Dimension x varies between 67 mm and 76mm for a working tension of 200 daN
- Adjustment range : 9 mm
- Recommended catch plate : AC 122
- Lever : Metal thickness 2 mm
- Base : Metal thickness 2 mm
- Link : Side plates 2 mm
Locking bar 5 mm dia.

MATERIAL	FINISH	FIXING	kg/100	REFERENCES
Steel	white zinc plated	with holes	19,000	GR.2004-ZI
Steel	yellow zinc plated	with holes	19,000	GR.2004-ZB*
St. steel A2	raw	with holes	19,000	GR.2004-IB

GR.2062



full size



GR.2063



GR.2064



Description :

- Screw adjustment gives wide positional tolerance.
- GR 2064 supplied with manual safety lock to prevent accidental unlatching.
- GR 2063 supplied with padlock hasp.
- Adjustable in service enabling latch to operate efficiently despite deformation or deterioration of lid seals etc.
- Latch lies flat when open minimising the possibility of accidental damage.

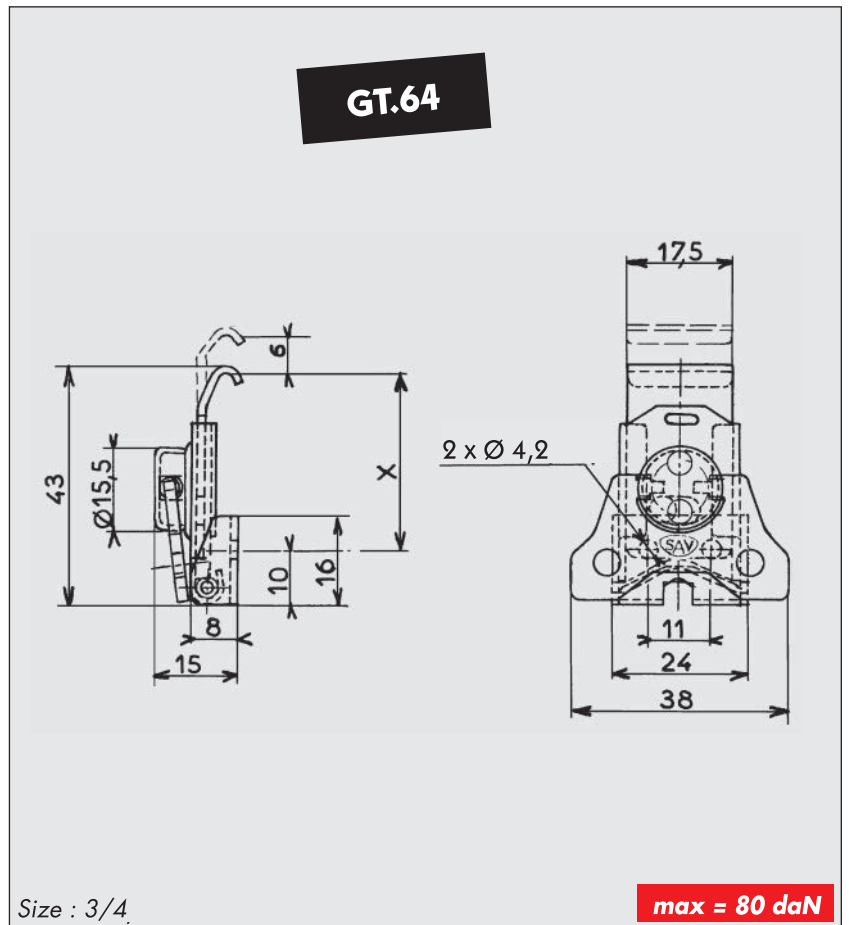
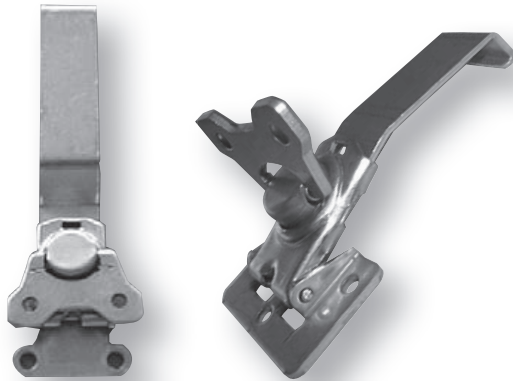
Other information :

- Dimension x varies between 75 mm and 96 mm for a working tension of 350 daN
- Adjustment range : 9mm
- Recommended catch plate : AC 167
- Lever : Metal thickness 2 mm
- Base : Metal thickness 2 mm
- Link : Metal thickness 2 mm

MATERIAL	FINISH	FIXING	kg/100	REFERENCES	REFERENCES	kg/100	REFERENCES
Steel	white zinc plated	with holes	20,000	GR.2062-ZI	GR.2063-ZI	21,800	GR.2064-ZI
Steel	yellow zinc plated	with holes	20,000	GR.2062-ZB*	GR.2063-ZB*	21,800	GR.2064-ZB*
St. steel A2	raw	with holes	21,000	GR.2062-IB	GR.2063-IB	22,900	GR.2064-IB



full size



Different links and cranked links options

Other information :

- Approximate fixing position to give approximate 60 daN tension, using catch plate AC 161
- $x = 32.7$ mm
- Recommended Catch Plate : Type AC 161
- GT.64-E* with an inverted base

MATERIAL	FINISH	FIXING	kg/100	REFERENCES
Steel	white zinc plated	with holes	3,900	GT.64-ZI
Steel	yellow zinc plated	with holes	3,900	GT.64-ZB*
St. steel A2	raw	with holes	3,900	GT.64-IB
St. steel A2	polished	with holes	3,900	GT.64-IP*

TOGGLE LATCHES

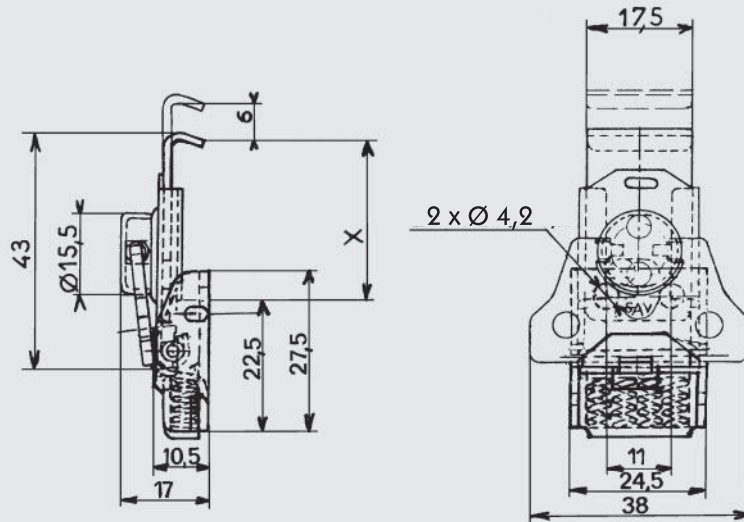


Spring loaded rotary toggle latch



full size

GT.1064




Size : 3/4

max = 80 daN

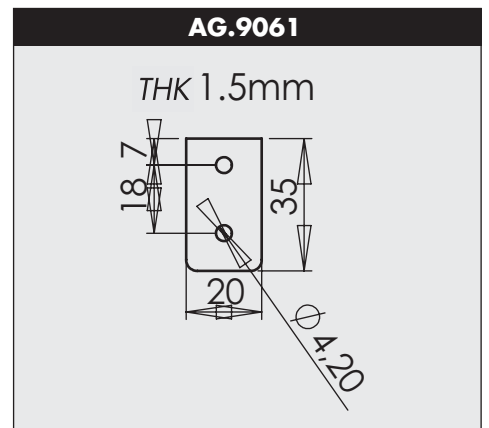
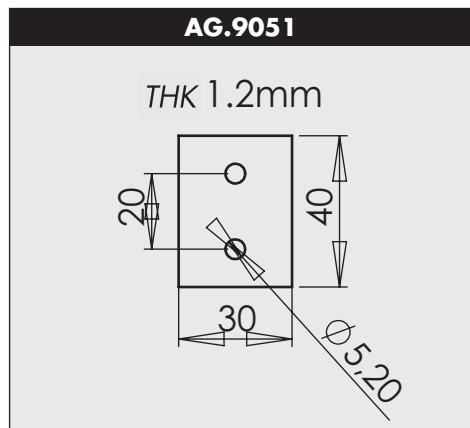
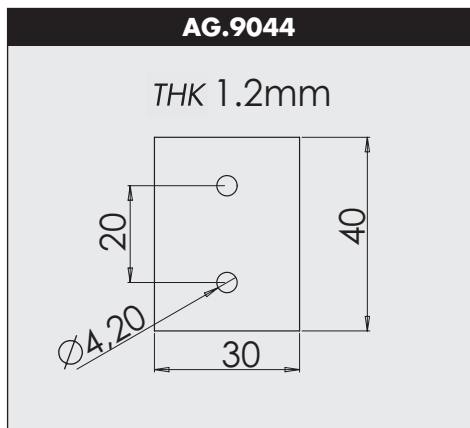
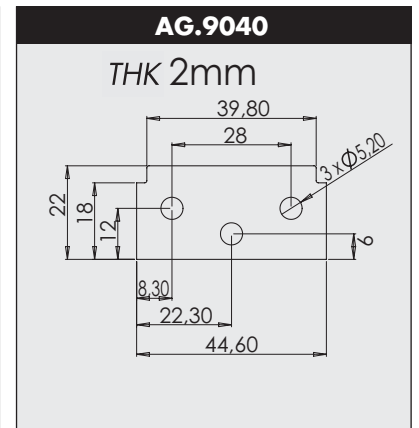
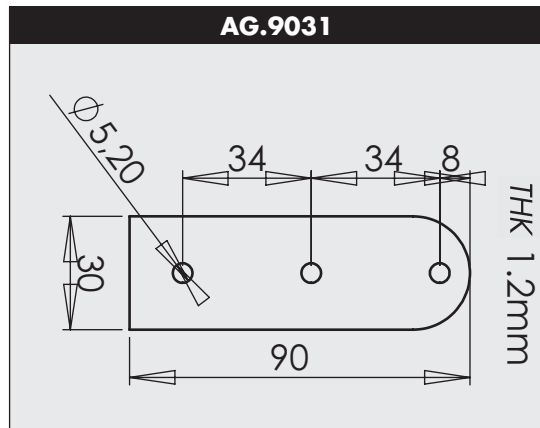
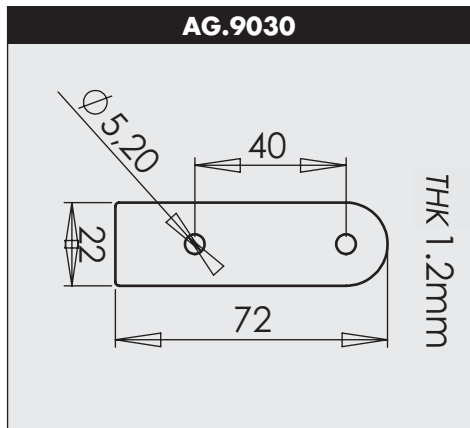
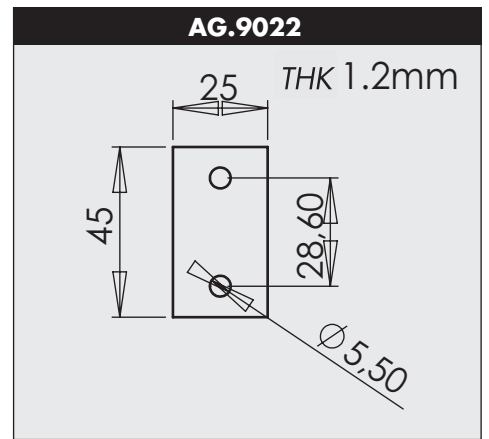
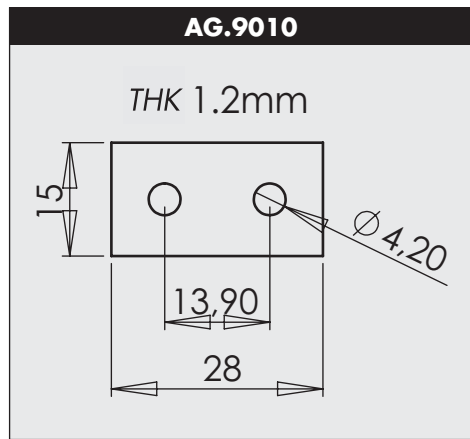
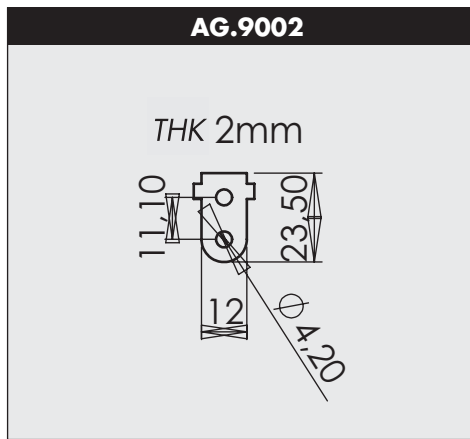
■ **Other information :**

- Approximate fixing position to give approximate 60daN tension, using catch plate AC 161
- x = 31.4mm
- Recommended Catch Plate : Type AC 161

MATERIAL	FINISH	FIXING	 kg/100	REFERENCES
Steel	white zinc plated	with holes	5,200	GT.1064-ZI
Steel	yellow zinc plated	with holes	5,200	GT.1064-ZB*
St. steel A2	raw	with holes	5,200	GT.1064-IB
St. steel A2	polished	with holes	5,200	GT.1064-IP*

A5  **2 0**

* References only produced on order



Using back plates is necessary for the fixing in soft material (like wood...)

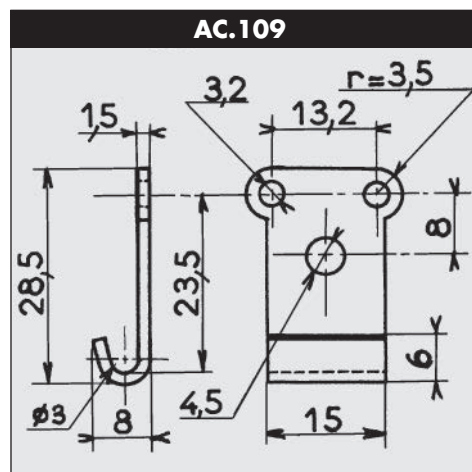
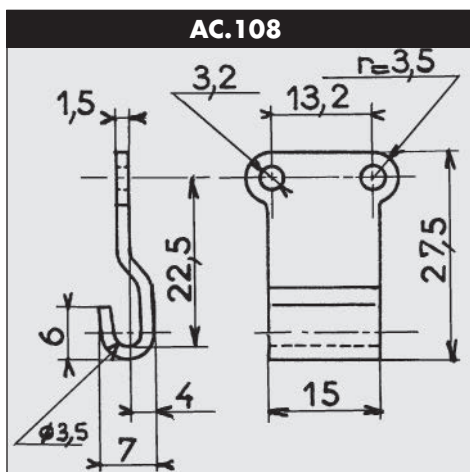
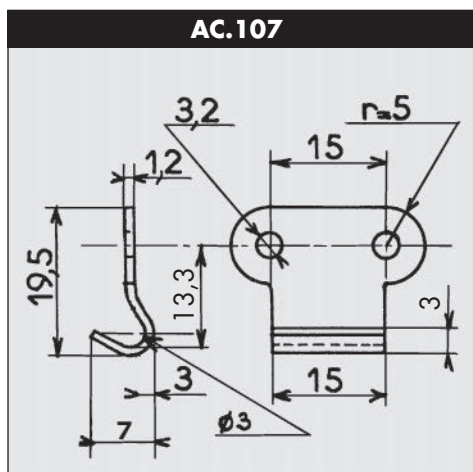
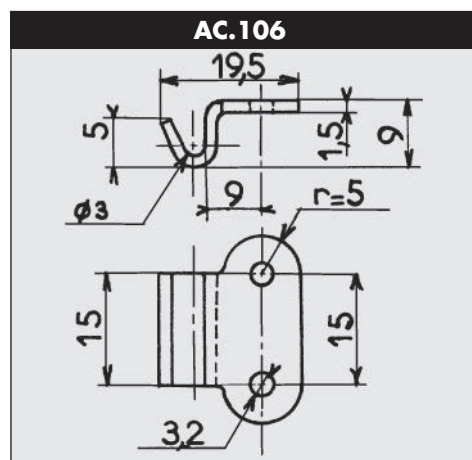
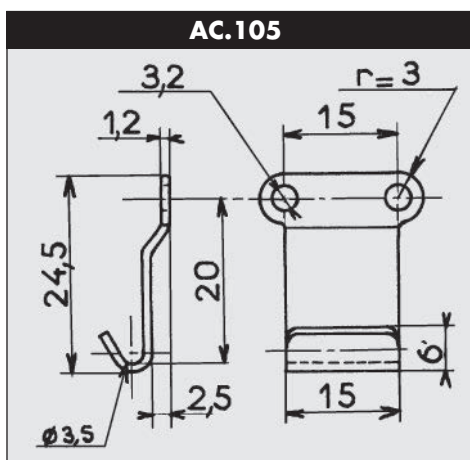
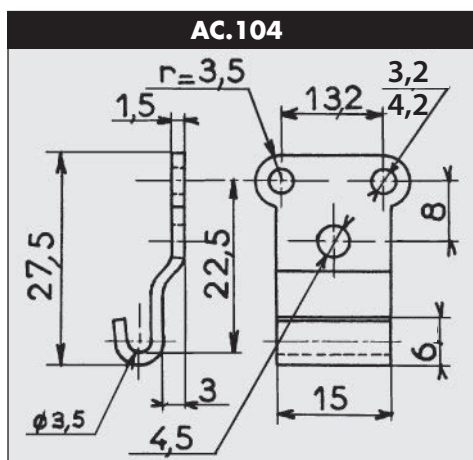
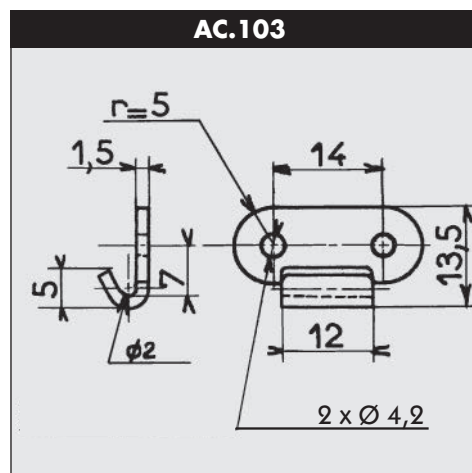
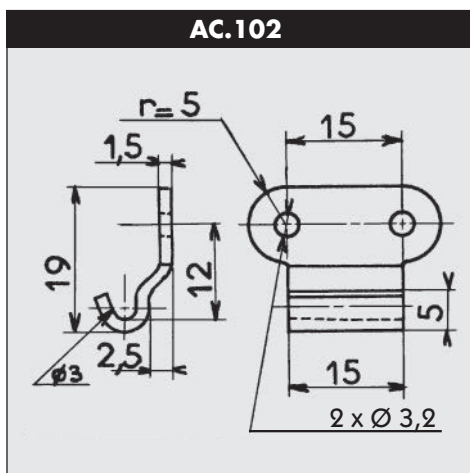
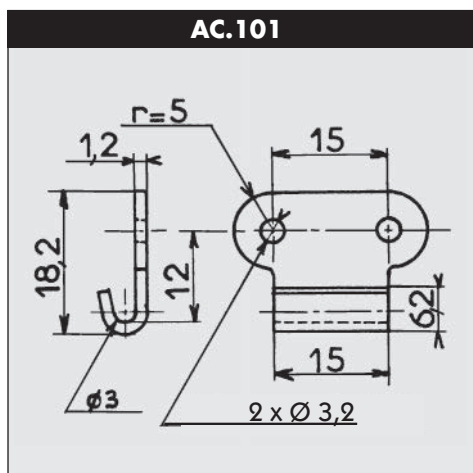
MATERIAL	FINISH / REF	FINISH / REF	USED WITH TOGGLE LATCHES
Steel	yellow zinc plated AG.9002-ZB*	white zinc plated AG.9002-ZI	GO.6 - GO.7 - GE.3 - GE.4 - GP.2 - GP.8 - GP.15
Steel	yellow zinc plated AG.9010-ZB*	white zinc plated AG.9010-ZI*	GP.10 - GO.12 - GP.13 - GP.16
Steel	yellow zinc plated AG.9022-ZB*	white zinc plated AG.9022-ZI	GO.24 - GO.26 - GP.22 - GP.23
Steel	yellow zinc plated AG.9030-ZB*	white zinc plated AG.9030-ZI	GO.32 - GO.34 - GO.79 - GE.36 - GE.50 - GP.30 - GR.55 - GR.57
Steel	yellow zinc plated AG.9031-ZB*	white zinc plated AG.9031-ZI*	GE.49 - GP.31 - GP.48 - GO.71 - GO.33 - GE.35 - GE.82 - GE.83 - GP.47
Steel	yellow zinc plated AG.9040-ZB*	white zinc plated AG.9040-ZI	GE.40 - GE.45
Steel	yellow zinc plated AG.9044-ZB*	white zinc plated AG.9044-ZI	GE.44 - GE.46 - GP.42 - GP.43 - GE.37 - GE.38 - GP.27 - GP.28 - GP.75
Steel	yellow zinc plated AG.9051-ZB*	white zinc plated AG.9051-ZI	GE.05 - GE.51 - GP.29 - GR.58 - GE.52
Steel	yellow zinc plated AG.9061-ZB*	white zinc plated AG.9061-ZI	GE.61 - GE.100

CATCHPLATES



For Toggle Latches

Size : 1/1



REFERENCES

(1) kg/100	Steel raw with holes	Steel raw without hole	Steel white zinc plated	Steel yellow zinc plated	Steel chrome- plated	Light alloy	St. Steel A2 raw with holes	St. Steel A2 raw without hole	St. Steel A2 polished	St. Steel A2 pasivated
0,470	AC.101-BR*	AC.101-ABR*	AC.101-ZI	AC.101-ZB*			AC.101-IB			
0,570	AC.102-BR*		AC.102-ZI	AC.102-ZB*			AC.102-IB*			
0,340	AC.103-BR	AC.103-ABR	AC.103-ZI	AC.103-ZB*	AC.103-CH	AC.103-AL	AC.103-IB	AC.103-AIB	AC.103-IP	
0,620	AC.104-BR*	AC.104-ABR*	AC.104-ZI	AC.104-ZB*	AC.104-CH*		AC.104-IB	AC.104-AIB*	AC.104-IP*	
0,430	AC.105-BR*	AC.105-ABR*	AC.105-ZI	AC.105-ZB*						
0,520	AC.106-BR*		AC.106-ZI	AC.106-ZB*			AC.106-IB*			
0,440	AC.107-BR*	AC.107-ABR*	AC.107-ZI	AC.107-ZB*						
0,660	AC.108-BR*	AC.108-ABR*	AC.108-ZI	AC.108-ZB*						
0,620	AC.109-BR*		AC.109-ZI	AC.109-ZB*			AC.109-IB			

B1



1 0

* References only produced on order

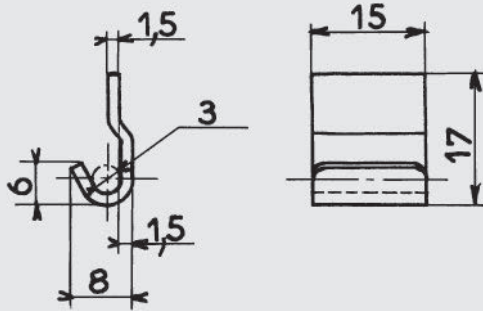
CATCHPLATES



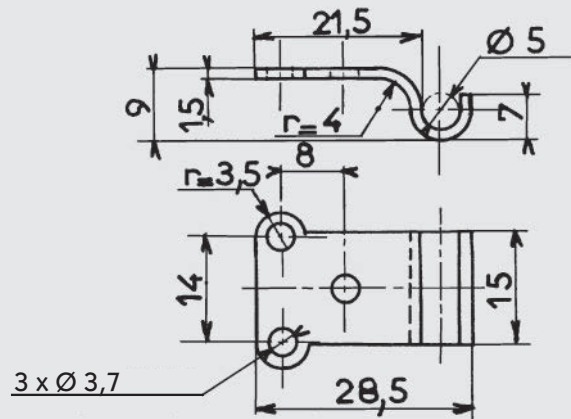
For Toggle Latches

Size : 1/1

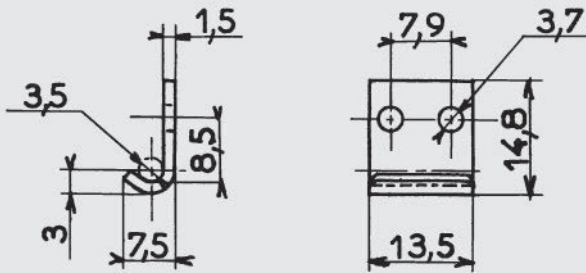
AC.110



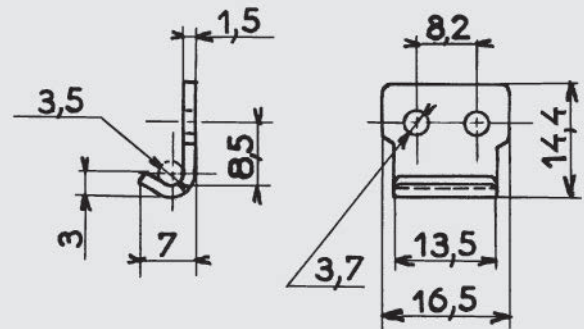
AC.111



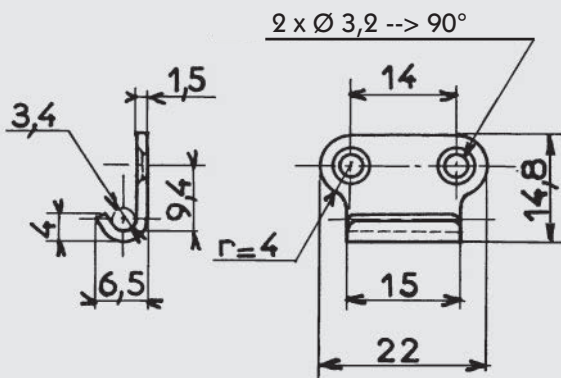
AC.112



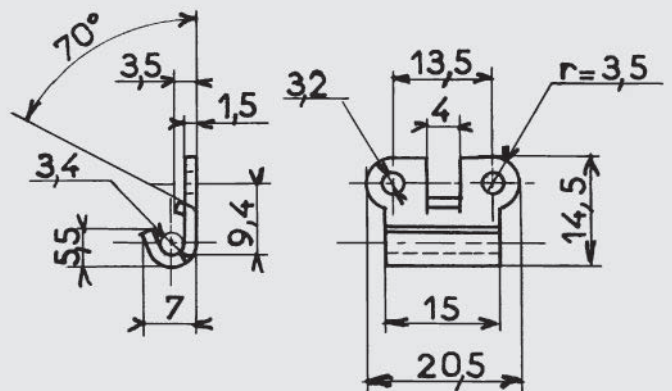
AC.113



AC.114



AC.115



REFERENCES

kg/100 (1)	Steel raw with holes	Steel raw without hole	Steel white zinc plated	Steel yellow zinc plated	Steel chrome-plated	Light alloy	St. Steel A2 raw with holes	St. Steel A2 raw without hole	St. Steel A2 polished	St. Steel A2 pasivated
0,440	AC.111-BR*	AC.110-ABR	AC.110-ZI	AC.111-ZB*	AC.112-CH*		AC.112-IB*			
0,680	AC.112-BR*	AC.111-ABR*	AC.111-ZI	AC.112-ZB*	AC.113-CH		AC.113-IB	AC.113-AIB*	AC.113-IP	
0,280	AC.113-BR*	AC.112-ABR*	AC.112-ZI	AC.113-ZB*	AC.114-BCH*					
0,300	AC.114-BBR*	AC.113-ABR*	AC.113-ZI	AC.114-BZB*						
0,380	AC.115-BR*		AC.114-BZI*	AC.115-ZB*						
0,350			AC.115-ZI*							

* References only produced on order

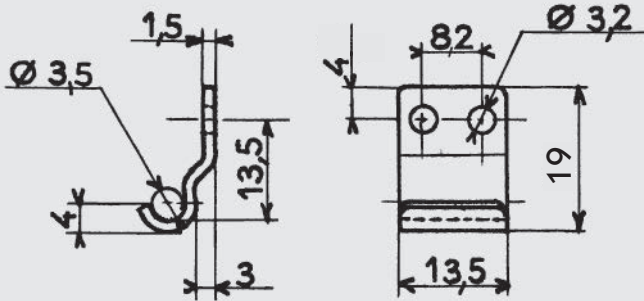
CATCHPLATES



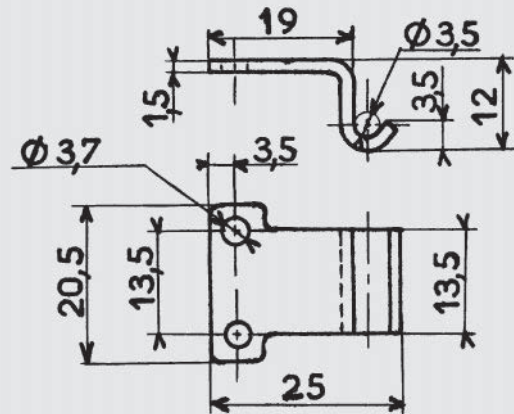
For Toggle Latches

Size : 1/1

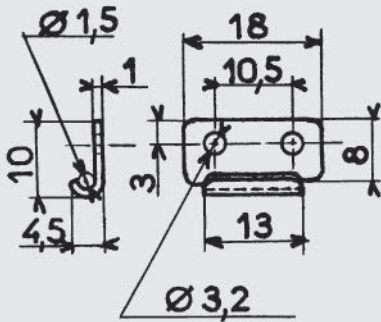
AC.116



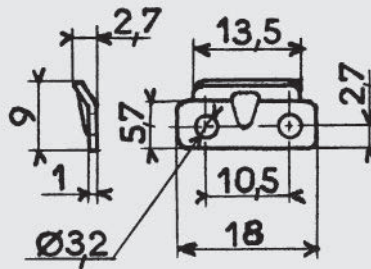
AC.117



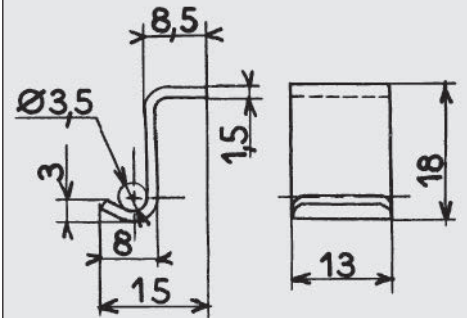
AC.118



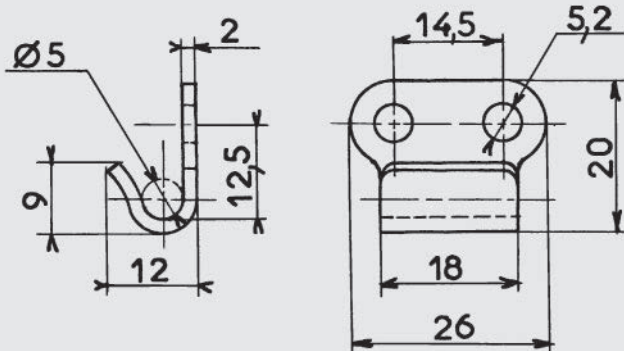
AC.119



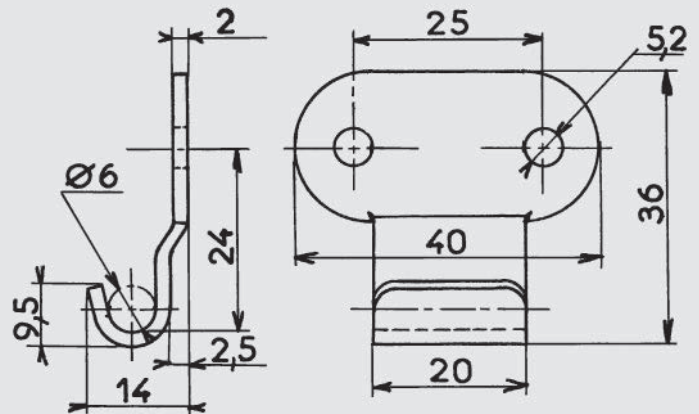
AC.120



AC.121



AC.122



REFERENCES

kg/100 (1)	Steel					Light alloy	St. Steel A2			
	raw with holes	raw without hole	white zinc plated	yellow zinc plated	chrome-plated		raw with holes	raw without hole	polished	A2 pasivated
0,390	AC.116-BR*		AC.116-ZI	AC.116-ZB*	AC.116-CH*		AC.116-IB		AC.116-IP*	
0,550	AC.117-BR*	AC.117-ABR*	AC.117-ZI	AC.117-ZB*			AC.117-IB		AC.117-IP*	
0,150	AC.118-BR	AC.118-ABR	AC.118-ZI	AC.118-ZB*	AC.118-CH		AC.118-IB	AC.118-AIB	AC.118-IP	
0,100	AC.119-BR	AC.119-ABR	AC.119-ZI	AC.119-ZB*	AC.119-CH		AC.119-IB	AC.119-AIB	AC.119-IP*	
0,440		AC.120-ABR*	AC.120-ZI					AC.120-AIB*		
0,940	AC.121-BR	AC.121-ABR	AC.121-ZI	AC.121-ZB*	AC.121-CH		AC.121-IB	AC.121-AIB	AC.121-IP	
1,900	AC.122-BR*	AC.122-ABR*	AC.122-ZI	AC.122-ZB*	AC.122-CH*		AC.122-IB		AC.122-IP*	

B1



3 0

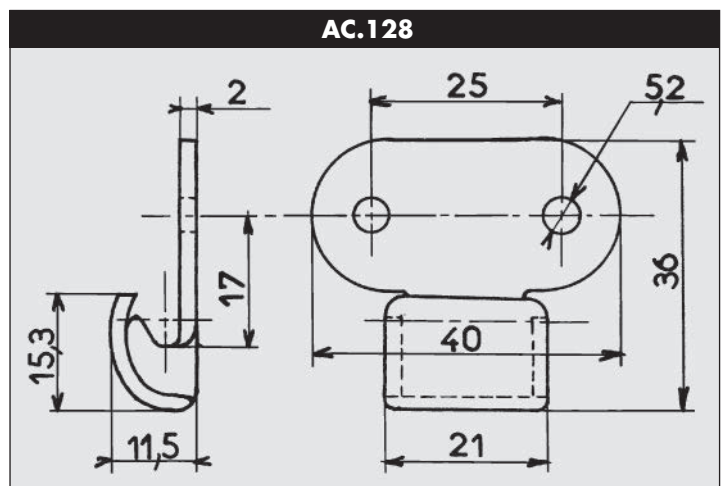
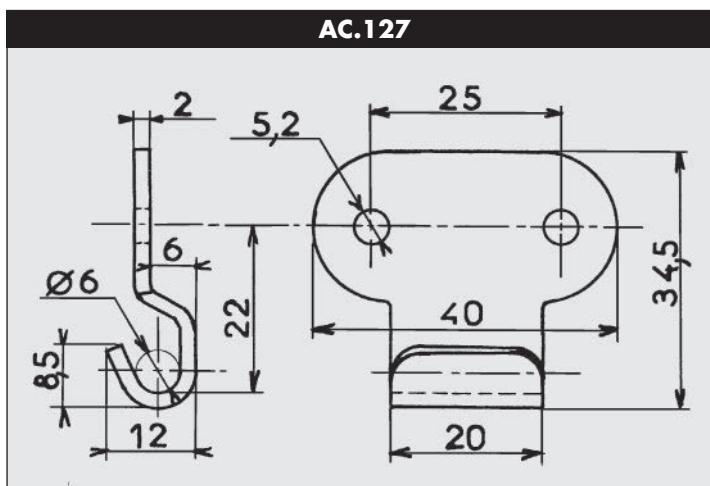
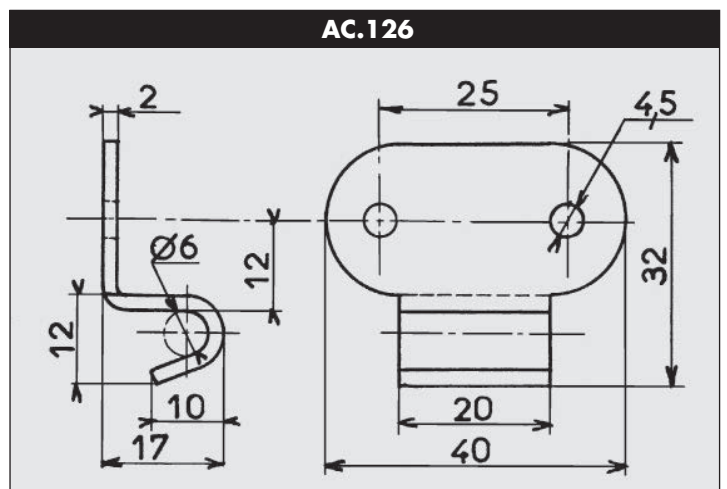
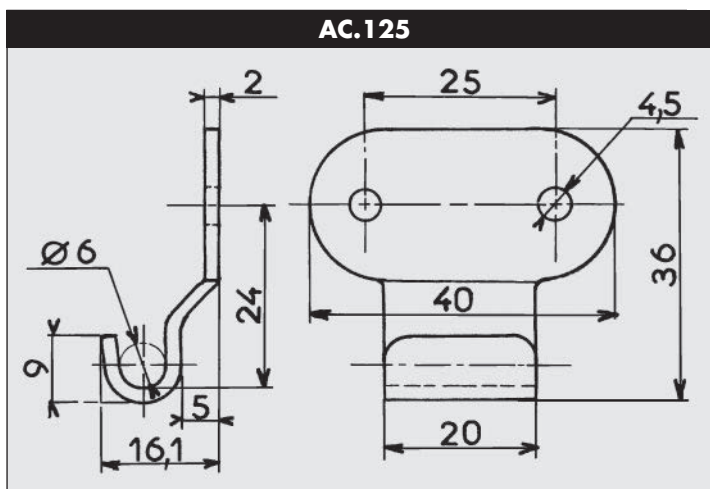
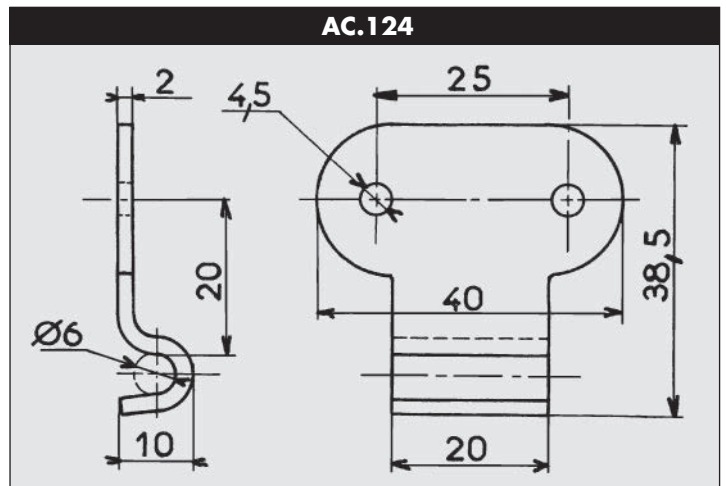
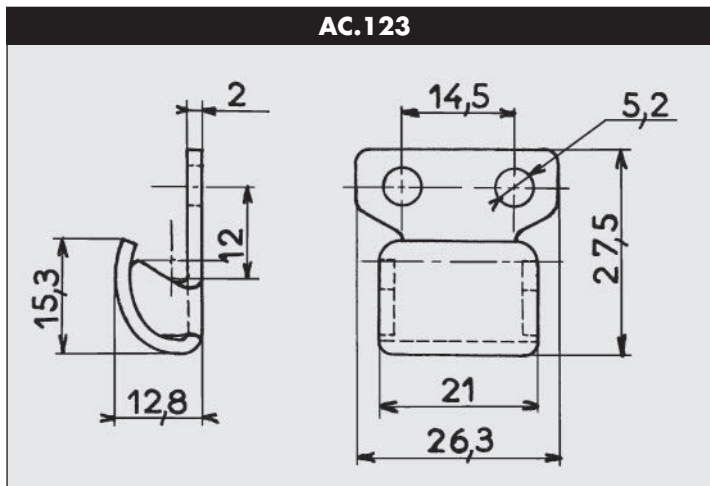
* References only produced on order

CATCHPLATES



For Toggle Latches

Size : 1/1



REFERENCES

(1) kg/100	Steel raw with holes	Steel raw without hole	Steel white zinc plated	Steel yellow zinc plated	Steel chrome-plated	Light alloy	St. Steel A2 raw with holes	St. Steel A2 raw without hole	St. Steel A2 polished	St. Steel A2 pasivated
1,570	AC.123-BR*	AC.123-ABR	AC.123-ZI	AC.123-ZB*	AC.123-CH	AC.123-AL				
1,950	AC.124-BR*		AC.124-ZI	AC.124-ZB*			AC.124-IB*			
1,950	AC.125-BR*		AC.125-ZI	AC.125-ZB*			AC.125-IB*			
1,950	AC.126-BR*		AC.126-ZI	AC.126-ZB*			AC.126-IB			
1,950	AC.127-BR*		AC.127-ZI	AC.127-ZB*						
2,200	AC.128-BR*		AC.128-ZI	AC.128-ZB*						

B1



4 0

* References only produced on order

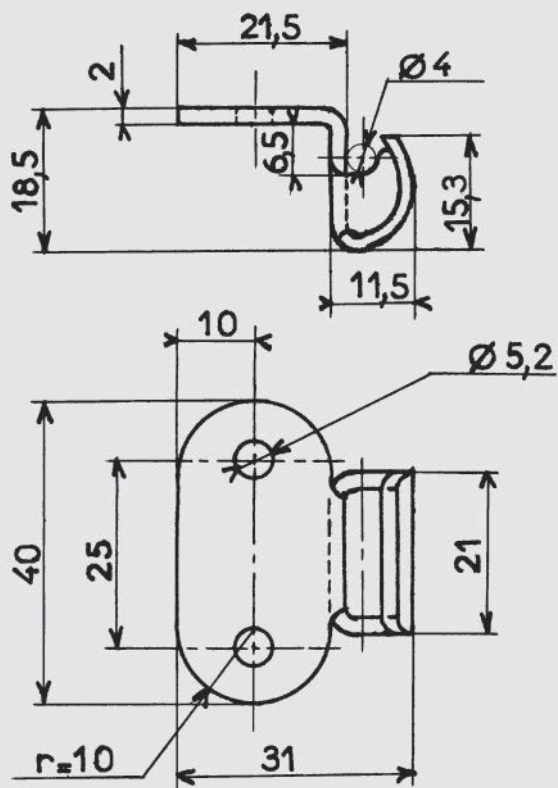
CATCHPLATES



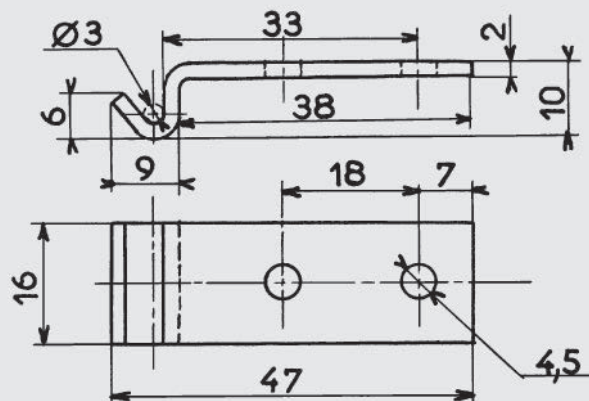
For Toggle Latches

Size : 1/1

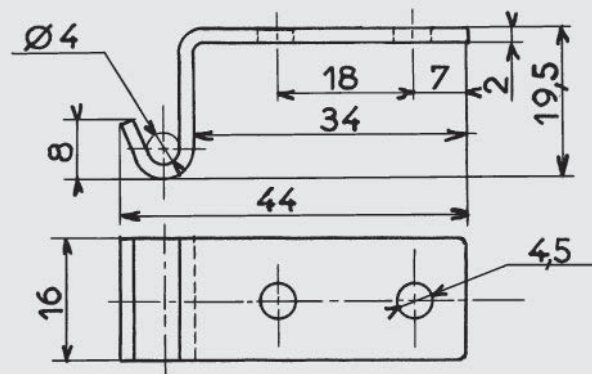
AC.129



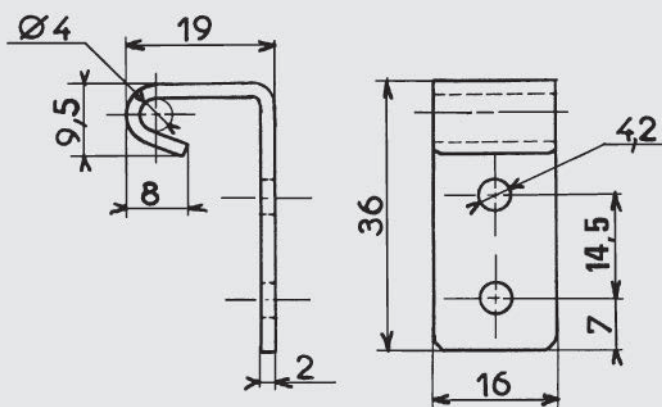
AC.130



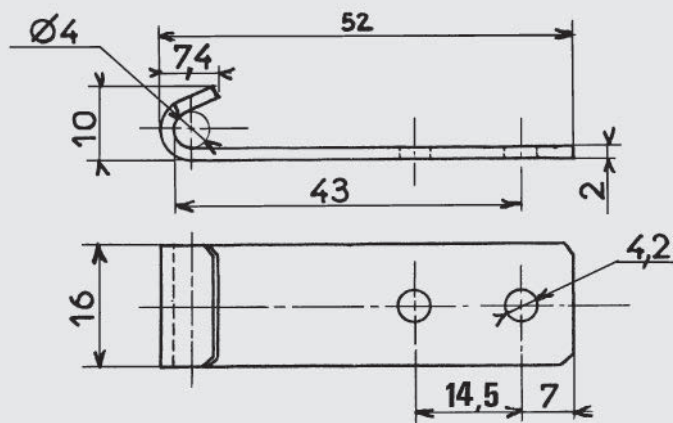
AC.131



AC.132



AC.133



REFERENCES

kg/100 (1)	Steel raw with holes	Steel raw without hole	Steel white zinc plated	Steel yellow zinc plated	Steel chrome-plated	Light alloy	St. Steel A2 raw with holes	St. Steel A2 raw without hole	St. Steel A2 polished	St. Steel A2 pasivated
2,250	AC.129-BR*		AC.129-ZI	AC.129-ZB*						
1,200	AC.130-BR*		AC.130-ZI	AC.130-ZB*						
1,460	AC.131-BR*	AC.131-ABR*	AC.131-ZI	AC.131-ZB*			AC.131-IB		AC.131-IP*	
1,470	AC.132-BR*		AC.132-ZI	AC.132-ZB*	AC.132-CH*		AC.132-IB*			
1,430	AC.133-BR*	AC.133-ABR*	AC.132-ZI							

B1



5 0

* References only produced on order

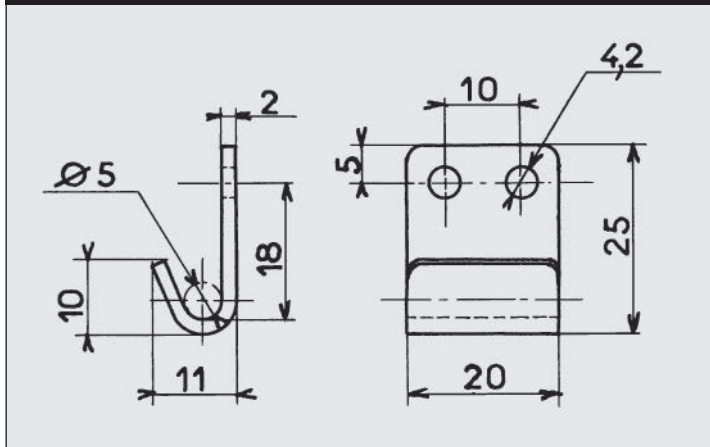
CATCHPLATES



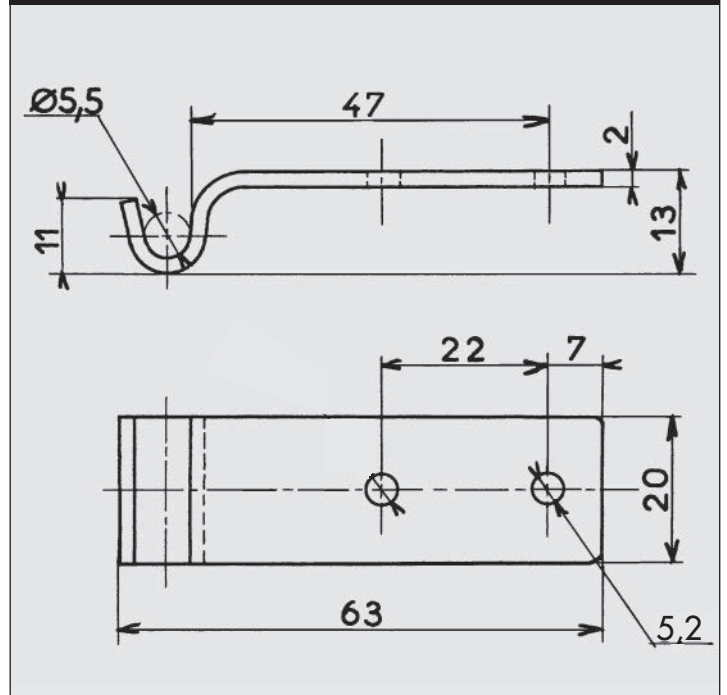
For Toggle Latches

Size : 1/1

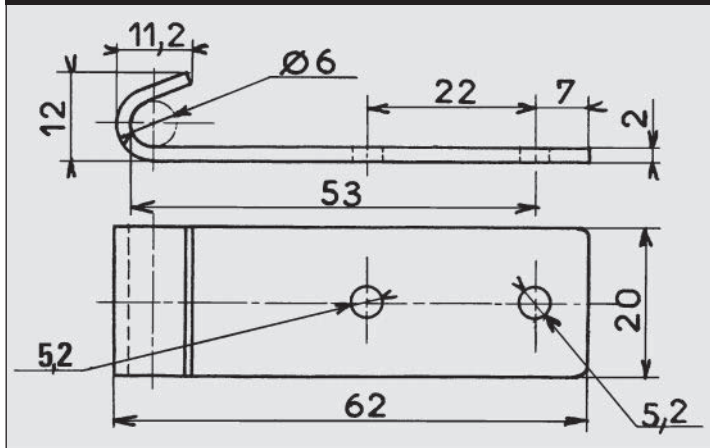
AC.134



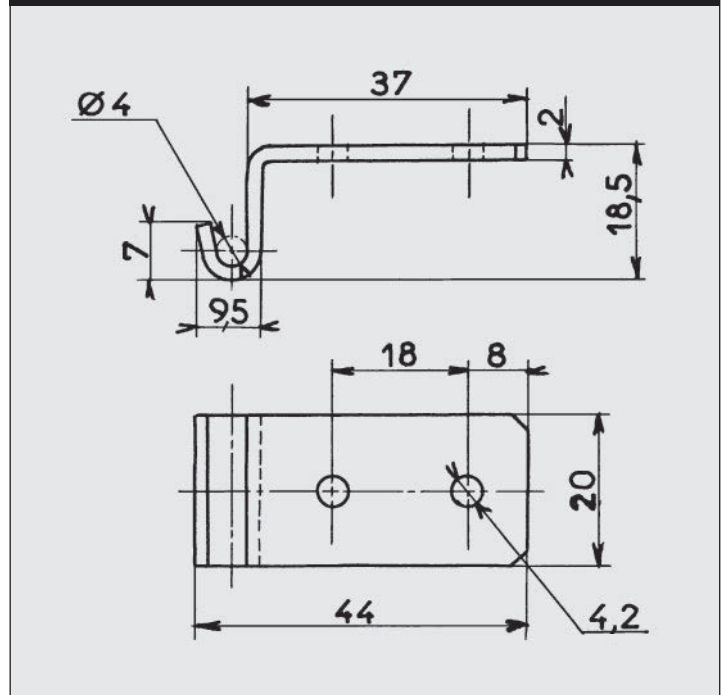
AC.137



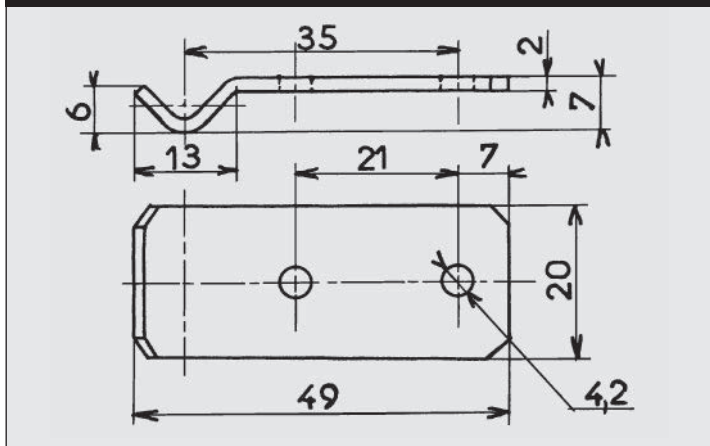
AC.135



AC.138



AC.136



REFERENCES

kg/100 (1)	Steel raw with holes	Steel raw without hole	Steel white zinc plated	Steel yellow zinc plated	Steel chrome-plated	Light alloy	St. Steel A2 raw with holes	St. Steel A2 raw without hole	St. Steel A2 polished	St. Steel A2 pasivated
1,150	AC.134-BR*	AC.134-ABR*	AC.134-ZI	AC.134-ZB*	AC.134-CH*					
2,300	AC.135-BR*	AC.135-ABR*	AC.135-ZI	AC.135-ZB*						
1,570	AC.136-BR*		AC.136-ZI	AC.136-ZB*						
2,230	AC.137-BR*	AC.137-ABR*	AC.137-ZI	AC.137-ZB*				AC.137-AIB*		
1,750	AC.138-BR*	AC.138-ABR*	AC.138-ZI	AC.138-ZB*	AC.138-CH*		AC.138-IB*			

B1



6 0

* References only produced on order

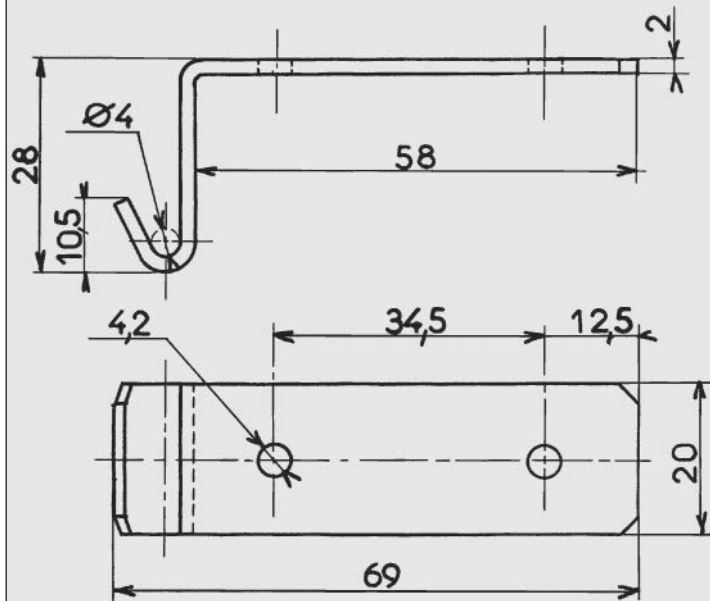
CATCHPLATES



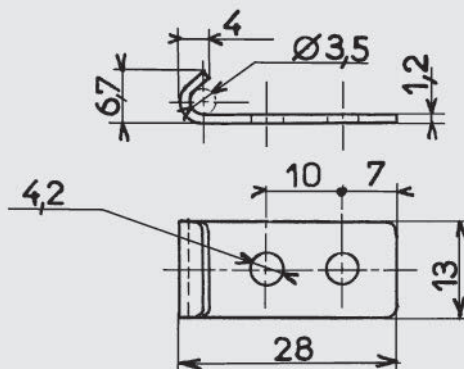
For Toggle Latches

Size : 1/1

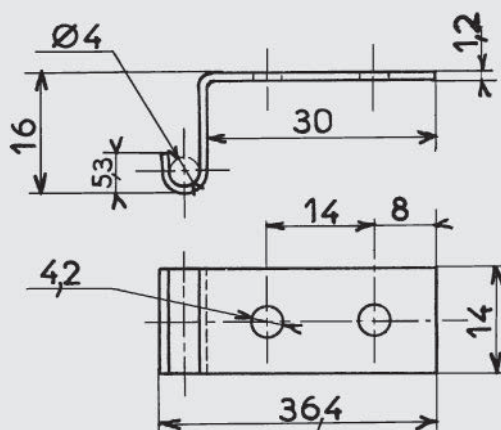
AC.139



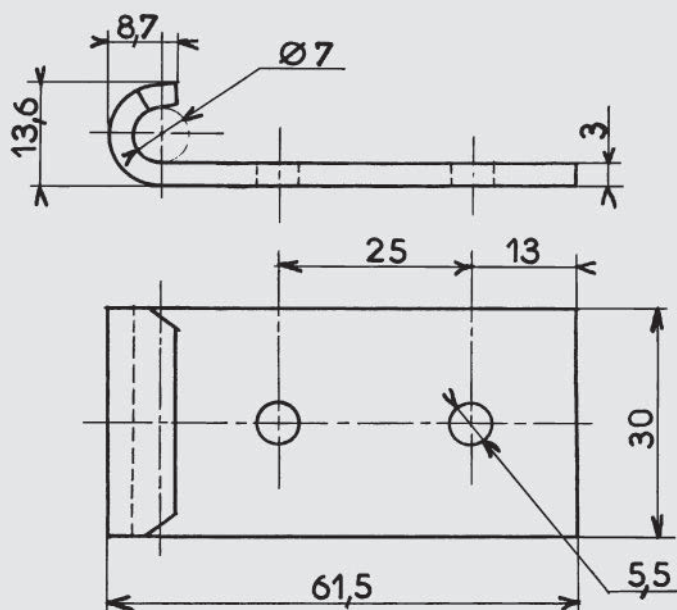
AC.140



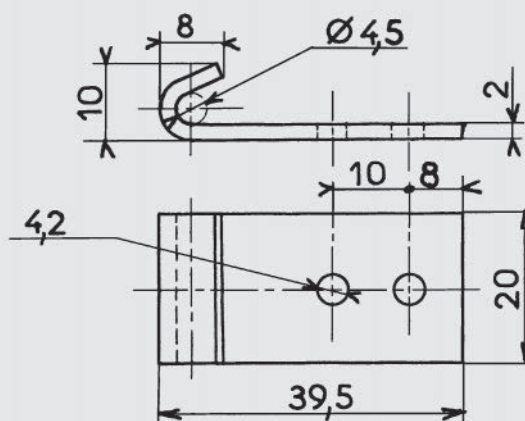
AC.141



AC.143



AC.142



REFERENCES

kg/100 (1)	Steel					Light alloy	St. Steel A2		St. Steel A2	
	raw with holes	raw without hole	white zinc plated	yellow zinc plated	chrome-plated		raw with holes	raw without hole	polished	pasivated
3,030	AC.139-BR*		AC.139-ZI	AC.139-ZB*						
0,400	AC.140-BR*	AC.140-ABR*	AC.140-ZI	AC.140-ZB*	AC.140-CH*		AC.140-IB	AC.140-AIB*		
0,650	AC.141-BR*	AC.141-ABR*	AC.141-ZI	AC.141-ZB*			AC.141-IB		AC.141-IP*	
1,600	AC.142-BR*		AC.142-ZI	AC.142-ZB*			AC.142-IB*			
4,800	AC.143-BR*		AC.143-ZI	AC.143-ZB*	AC.143-CH*		AC.143-IB	AC.143-AIB*		

B1



7 0

* References only produced on order

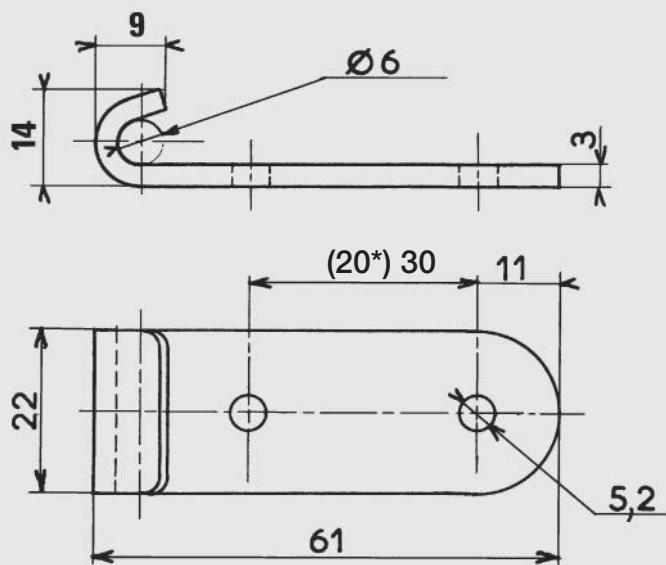
CATCHPLATES



For Toggle Latches

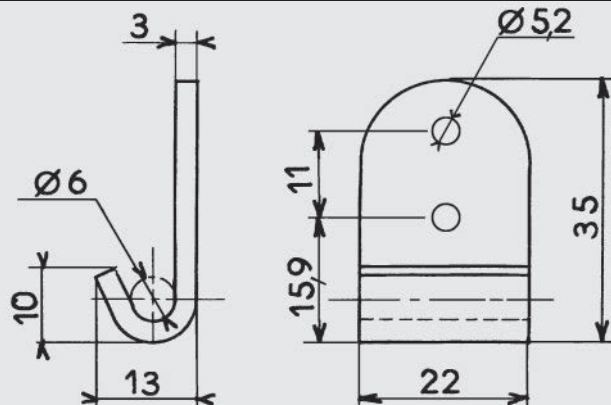
Size : 1/1

AC.144



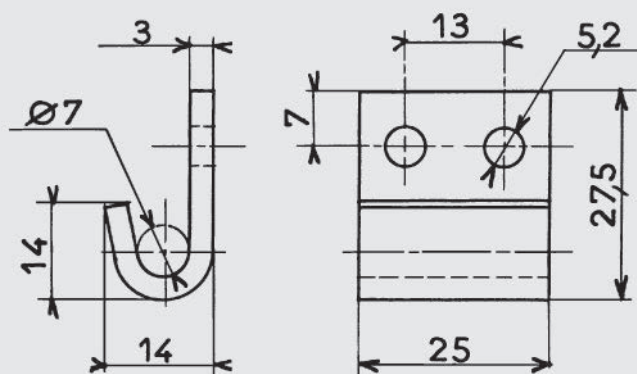
* Ref. AC144E

AC.145

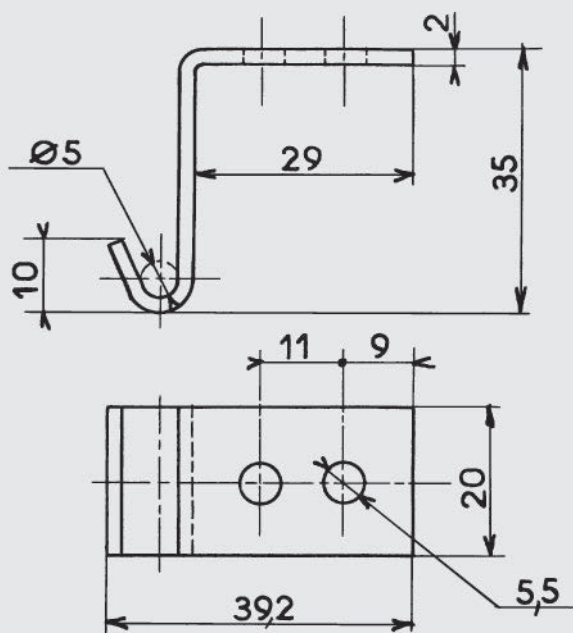


drilled thickness 2 mm - undrilled 3 mm

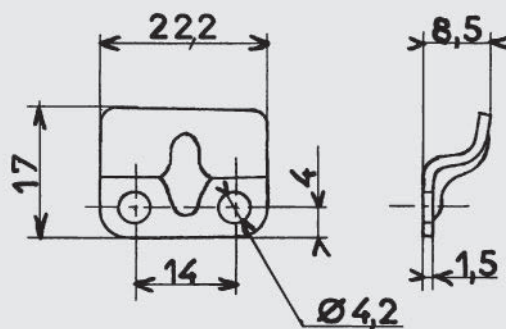
AC.146



AC.147



AC.148



REFERENCES

kg/100 (1)	Steel					Light alloy	St. Steel A2		St. Steel A2 polished	St. Steel A2 pasivated
	raw with holes	raw without hole	white zinc plated	yellow zinc plated	chrome-plated		raw with holes	raw without hole		
3,500	AC.144-BR*	AC.144-ABR*	AC.144-ZI	AC.144-ZB*	AC.145-CH*		AC.144-IB	AC.144-AIB*		
3,500	AC.144-EBR*		AC.144-EZI*	AC.144-EZB*			AC.144-EIB*	AC.144-AIB*		
1,800	AC.145-BR*	AC.145-ABR*	AC.145-ZI	AC.145-ZB*	AC.148-CH		AC.145-IB	AC.145-AIB*		
2,000	AC.146-BR*		AC.146-ZI	AC.146-ZB*			AC.148-IB	AC.148-AIB*		
2,000	AC.147-BR*		AC.147-ZI	AC.147-ZB*						
0,450	AC.148-BR*	AC.148-ABR*	AC.148-ZI	AC.148-ZB*						

B1



8 0

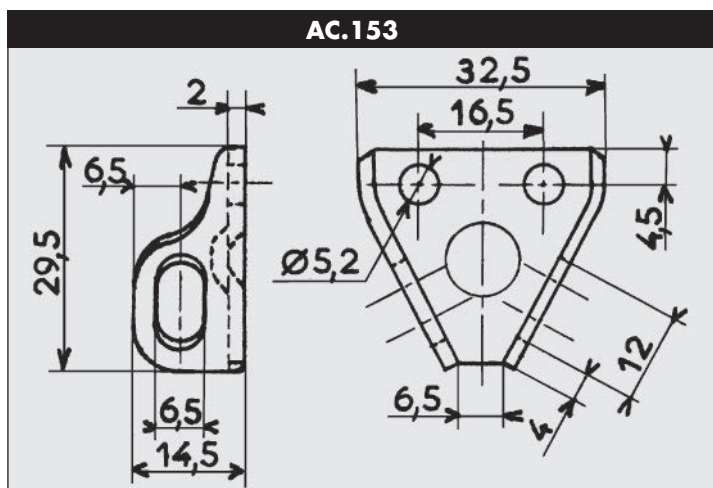
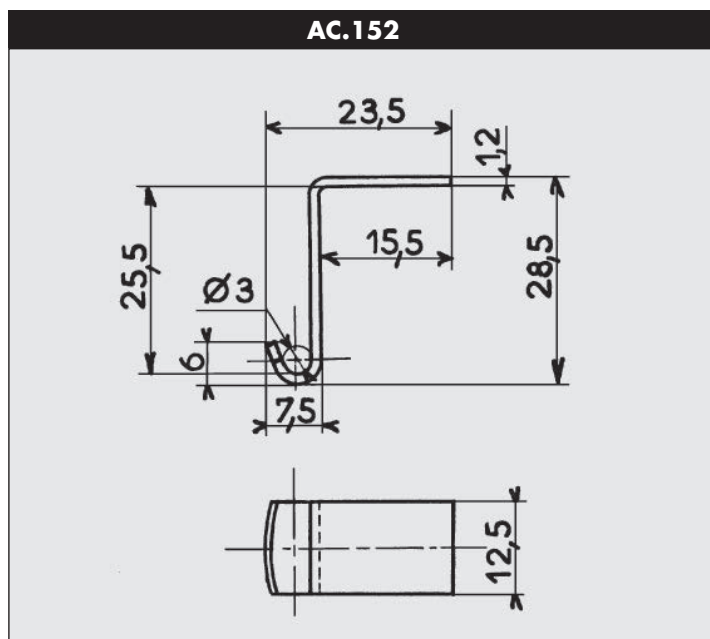
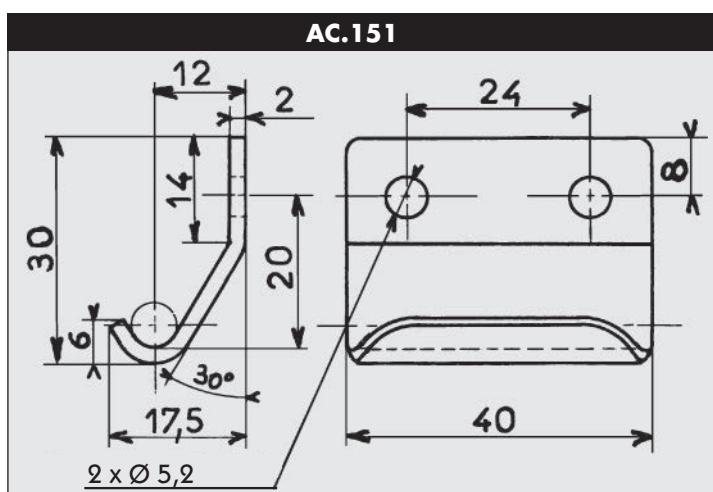
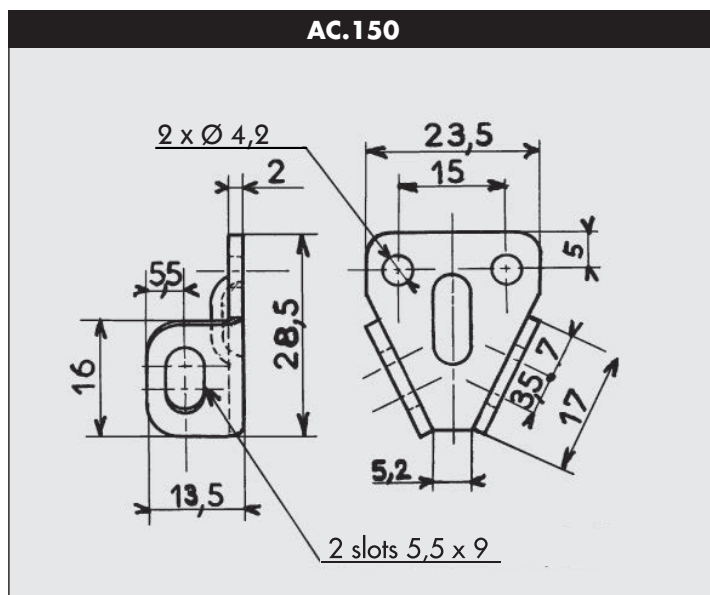
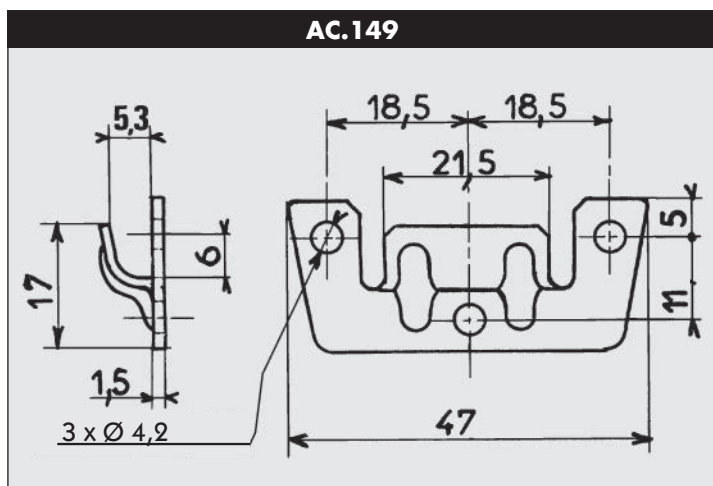
* References only produced on order

CATCHPLATES



For Toggle Latches

Size : 1/1



REFERENCES

(1) kg/100	Steel raw with holes	Steel raw without hole	Steel white zinc plated	Steel yellow zinc plated	Steel chrome-plated	Light alloy	St. Steel A2 raw with holes	St. Steel A2 raw without hole	St. Steel A2 polished	St. Steel A2 pasivated
0,800	AC.149-BR*		AC.149-ZI	AC.149-ZB*	AC.149-CH		AC.149-IB		AC.149-IP	
1,130	AC.150-BR*		AC.150-ZI	AC.150-ZB*	AC.150-CH*		AC.150-IB			
2,400	AC.151-BR*		AC.151-ZI	AC.151-ZB*			AC.151-IB			
0,620		AC.152-ABR	AC.152-ZI							
1,550	AC.153-BR*		AC.153-ZI	AC.153-ZB*			AC.153-IB			

B1



9 0

* References only produced on order

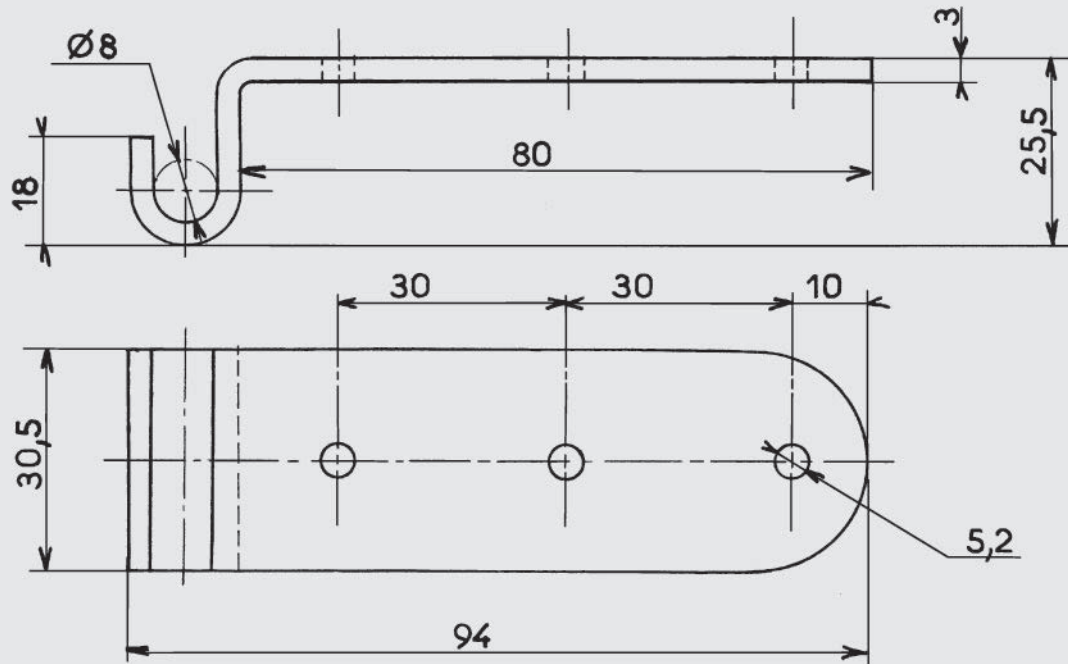
CATCHPLATES



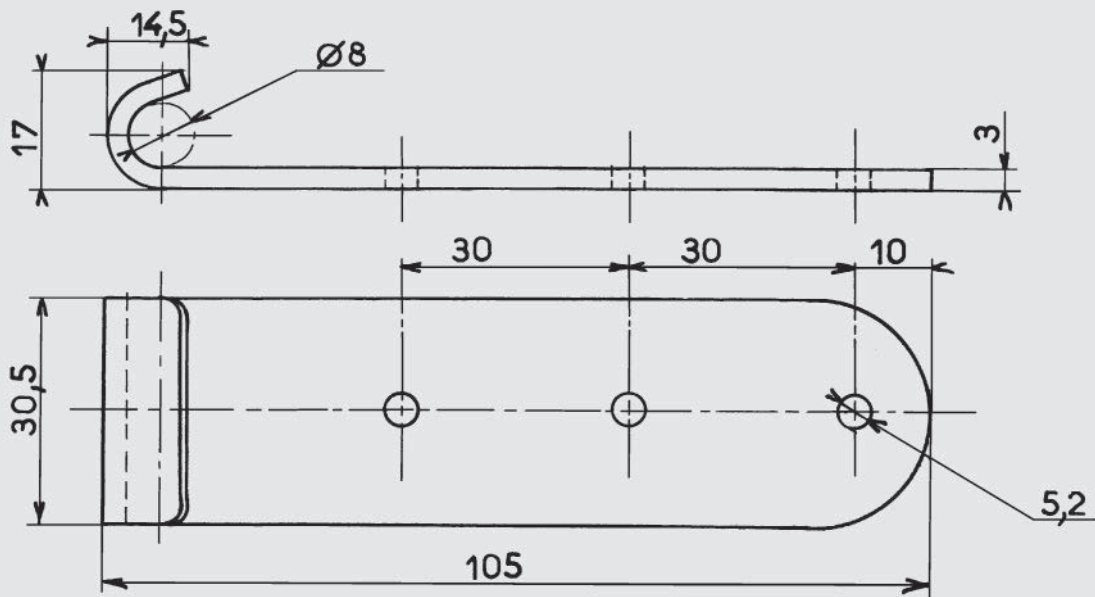
For Toggle Latches

Size : 1/1

AC.154



AC.155



REFERENCES

kg/100 (1)	Steel raw with holes	Steel raw without hole	Steel white zinc plated	Steel yellow zinc plated	Steel chrome-plated	Light alloy	St. Steel A2 raw with holes	St. Steel A2 raw without hole	St. Steel A2 polished	St. Steel A2 pasivated
8,100	AC.154-BR		AC.154-ZI	AC.154-ZB*			AC.154-IB			
8,100	AC.155-BR	AC.155-ABR*	AC.155-ZI	AC.155-ZB*			AC.155-IB			

B1



100

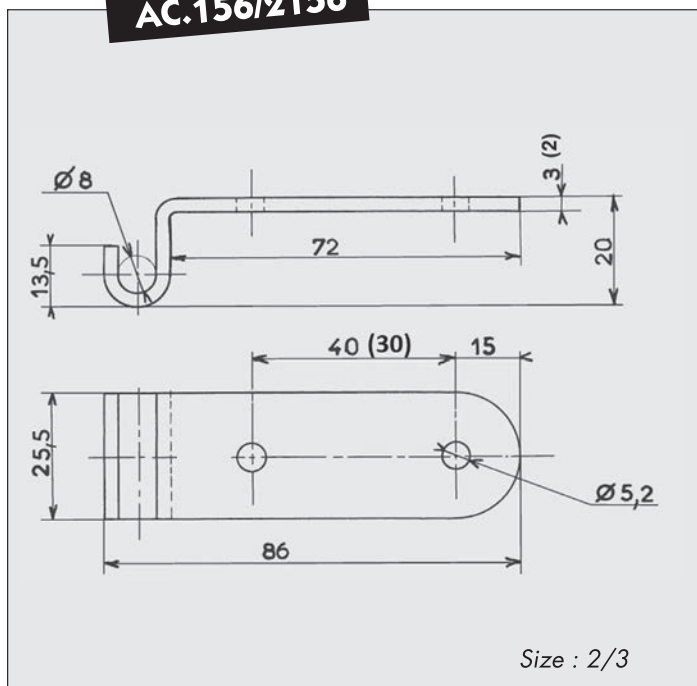
* References only produced on order

CATCHPLATES

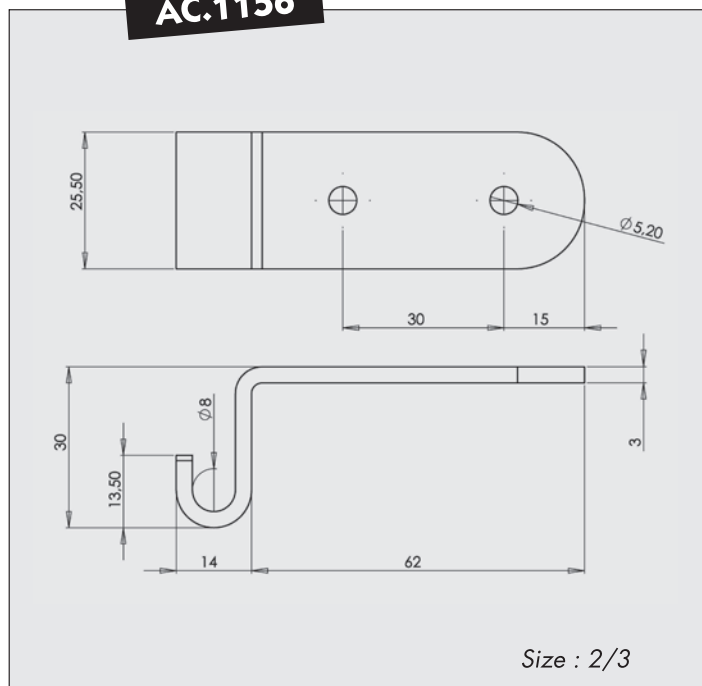


For Toggle Latches

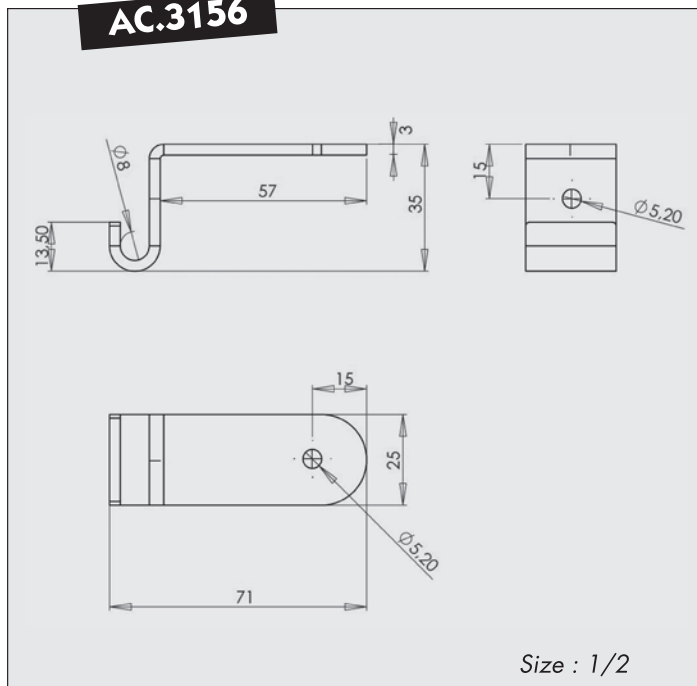
AC.156/2156



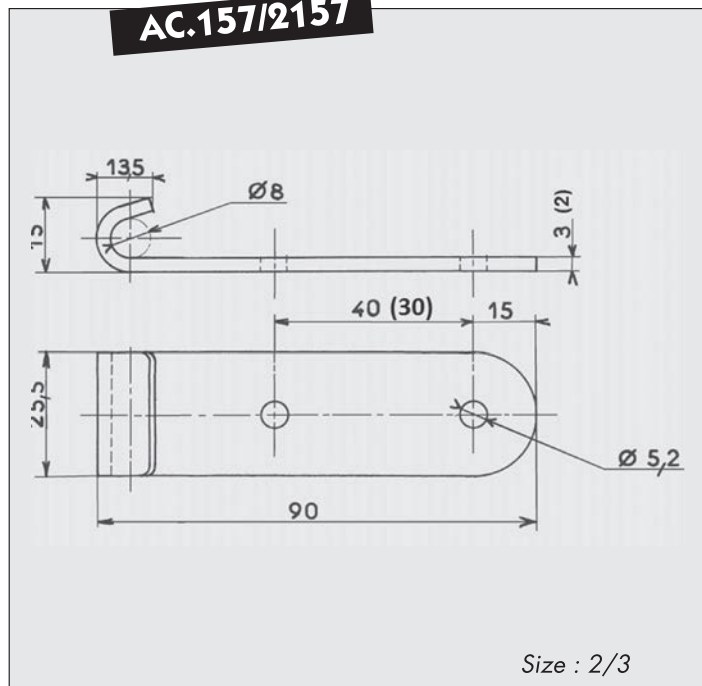
AC.1156



AC.3156



AC.157/2157



REFERENCES

Thickness	Spacing	Steel raw with holes	Steel raw without hole	Steel white zinc plated	Steel yellow zinc plated	St. Steel A2 raw	kg/100
3	40	AC.156-BR	AC.156-ABR*	AC.156-ZI	AC.156-ZB*	AC.156-IB	5,9
3	30	AC.156-EBR		AC.156-EZI	AC.156-EZB*	AC.156-EIB*	5,9
3	30	AC.1156-BR*	AC.1156-ABR*	AC.1156-ZI	AC.1156-ZB*	AC.1156-IB*	5,9
3	See drawing	AC.3156-BR*	AC.3156-ABR*	AC.3156-ZI	AC.3156-ZB*	AC.3156-IB*	5,9
2		30	AC.2156-EBR*	AC.2156-ABR*	AC.2156-EZI	AC.2156-EZB*	AC.2156-EIB*
3	40	AC.157-BR	AC.157-ABR*	AC.157-ZI	AC.157-ZB*	AC.157-IB	5,9
3	30	AC.157-EBR		AC.157-EZI	AC.157-EZB*	AC.157-EIB*	5,9
2	40	AC.2157-BR	AC.2157-ABR*	AC.2157-ZI	AC.2157-ZB*	AC.2157-IB	3,1
2	30	AC.2157-EBR		AC.2157-EZI	AC.2157-EZB*	AC.2157-EIB	3,1

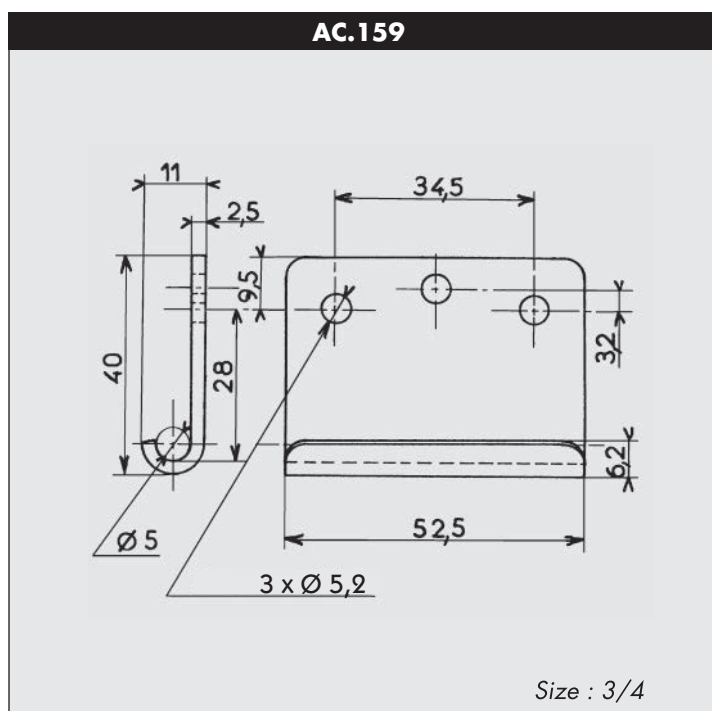
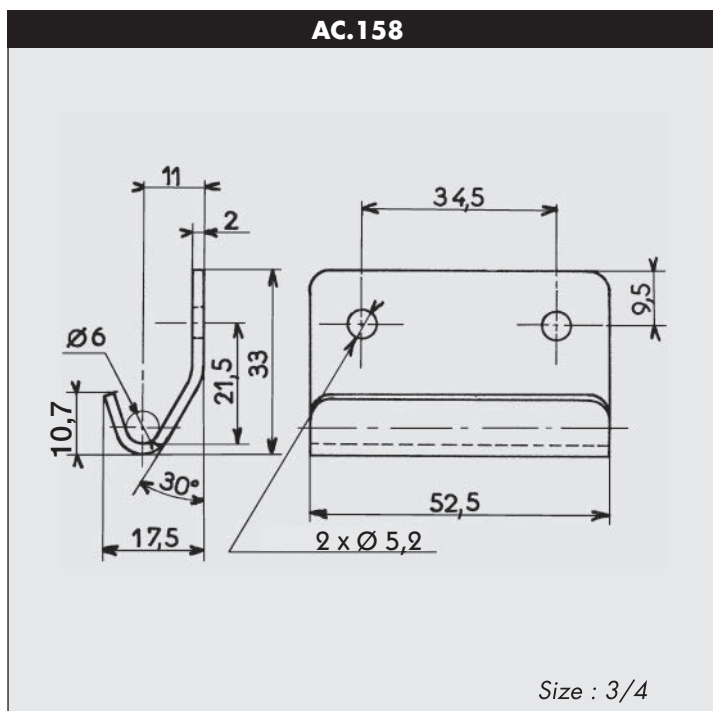


CATCHPLATES

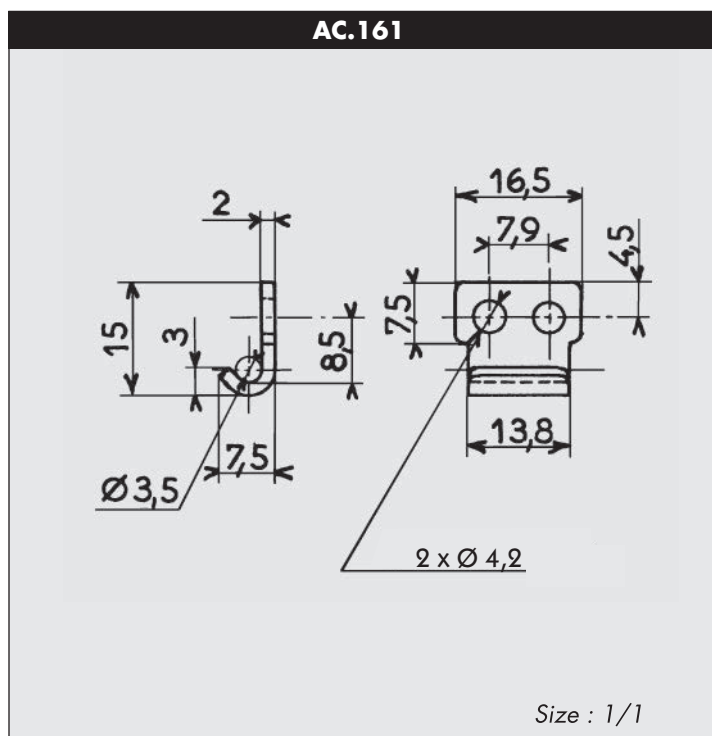
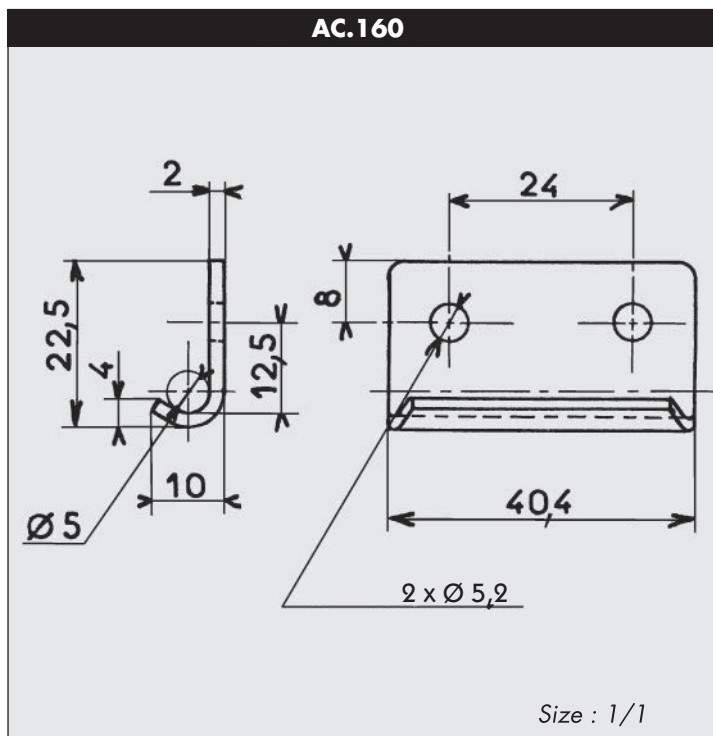


For Toggle Latches

Size : 3/4



Size : 1/1



REFERENCES

(1) kg/100	Steel raw with holes	Steel raw without hole	Steel white zinc plated	Steel yellow zinc plated	Steel chrome-plated	St. Steel A2 raw with holes	St. Steel A2 raw without hole	St. Steel A2 polished	St. Steel A2 pasivated
3,800	AC.158-BR*		AC.158-ZI	AC.158-ZB*		AC.158-IB			
3,750	AC.159-BR*		AC.159-ZI	AC.159-ZB*		AC.159-IB			
1,700	AC.160-BR*		AC.160-ZI	AC.160-ZB*	AC.160-CH*	AC.160-IB		AC.160-IP*	AC.160-IA*
0,370	AC.161-BR*		AC.161-ZI	AC.161-ZB*	AC.161-CH	AC.161-IB		AC.161-IP	AC.161-IA*

B1



120

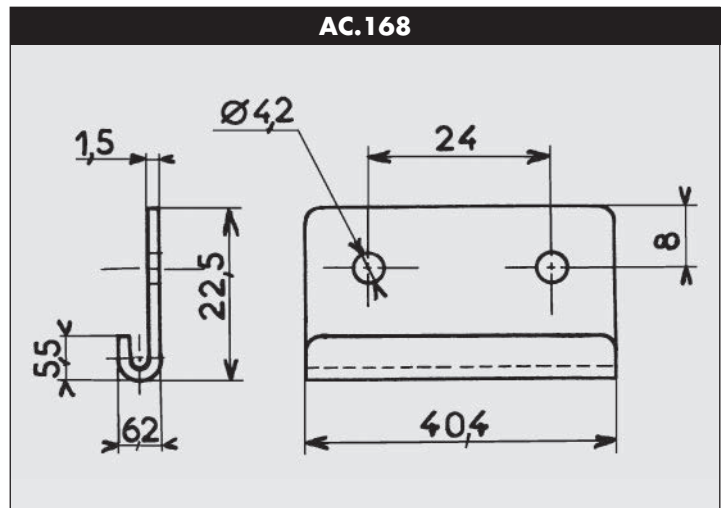
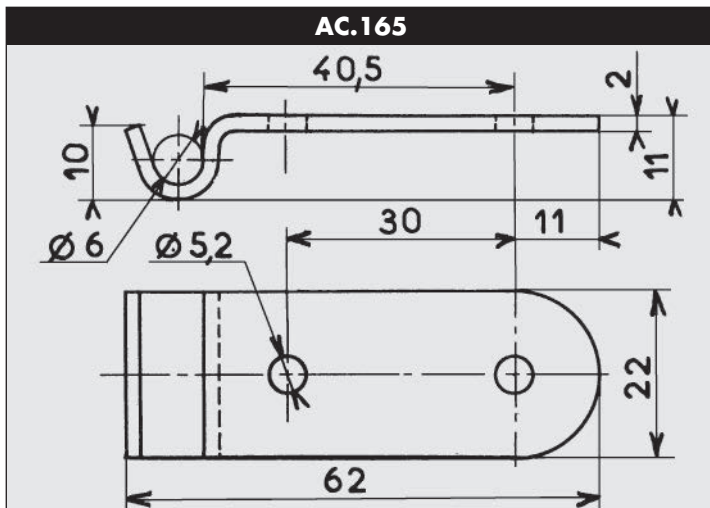
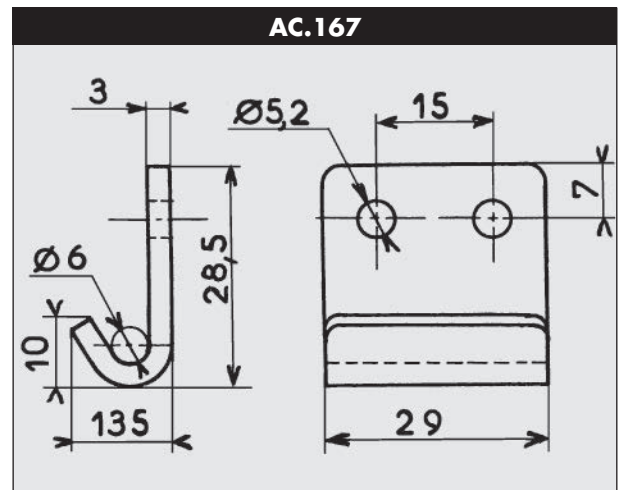
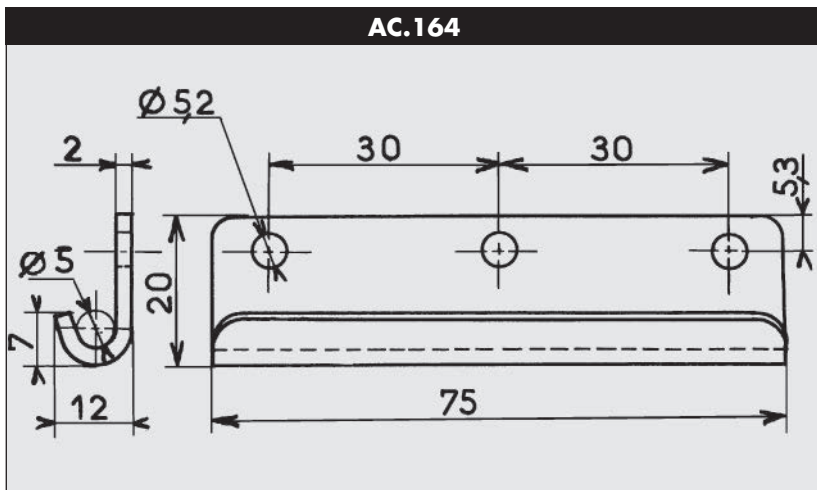
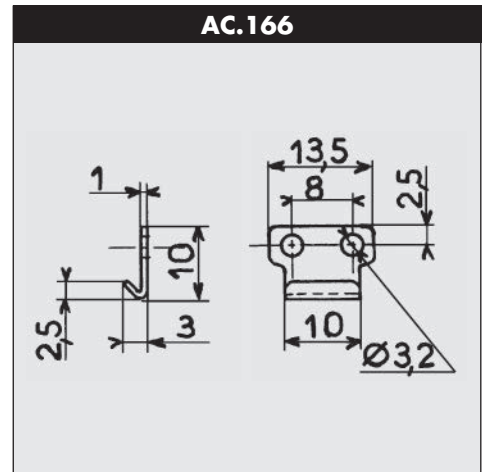
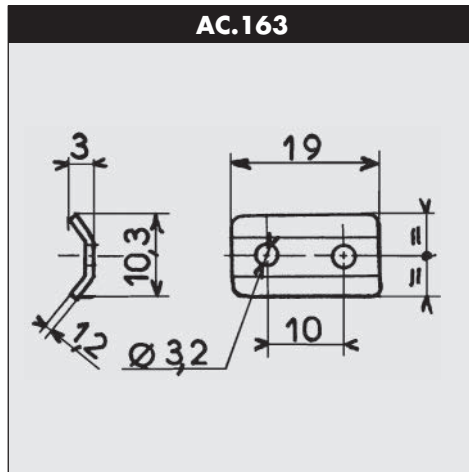
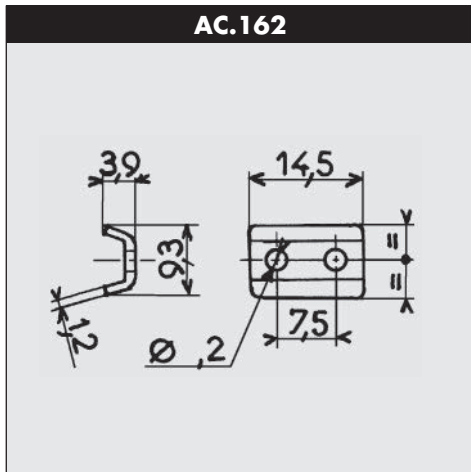
* References only produced on order

CATCHPLATES



For Toggle Latches

Size : 1/1



REFERENCES

(1) kg/100	Steel raw with holes	Steel raw without hole	Steel white zinc plated	Steel yellow zinc plated	Steel chrome- plated	St. Steel A2 raw with holes	St. Steel A2 raw without hole	St. Steel A2 polished	St. Steel A2 pasivated
0,165	AC.162-BR	AC.162-ABR	AC.162-ZI	AC.162-ZB*					
0,190	AC.163-BR	AC.163-ABR	AC.163-ZI	AC.163-ZB*	AC.163-CH*	AC.163-IB			
3,030	AC.164-BR		AC.164-ZI	AC.164-ZB*	AC.164-CH	AC.164-IB			
	AC.165-BR*		AC.165-ZI	AC.165-ZB*		AC.165-IB*			
2,260	AC.166-BR		AC.166-ZI	AC.166-ZB*		AC.166-IB		AC.166-IP*	
2,670	AC.167-BR*	AC.167-ABR*	AC.167-ZI	AC.167-ZB*		AC.167-IB			
1,330	AC.168-BR*		AC.168-ZI	AC.168-ZB*		AC.168-IB			



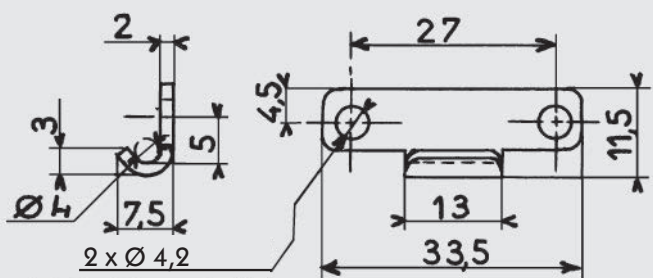
CATCHPLATES



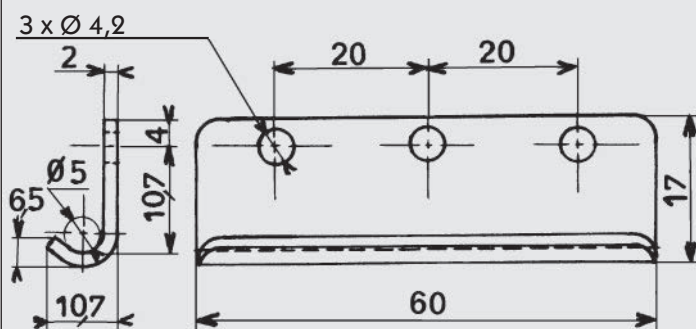
For Toggle Latches

Size : 1/1

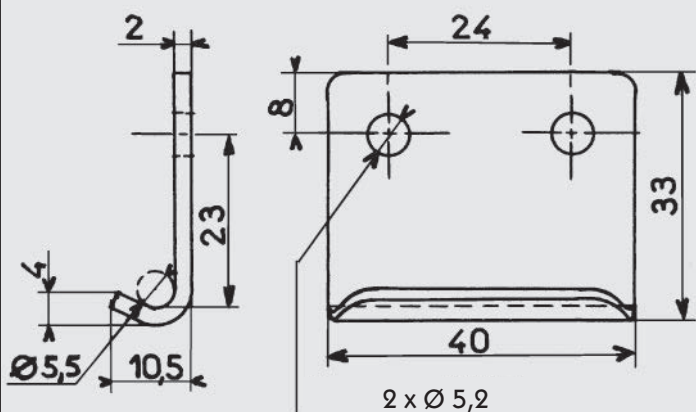
AC.169



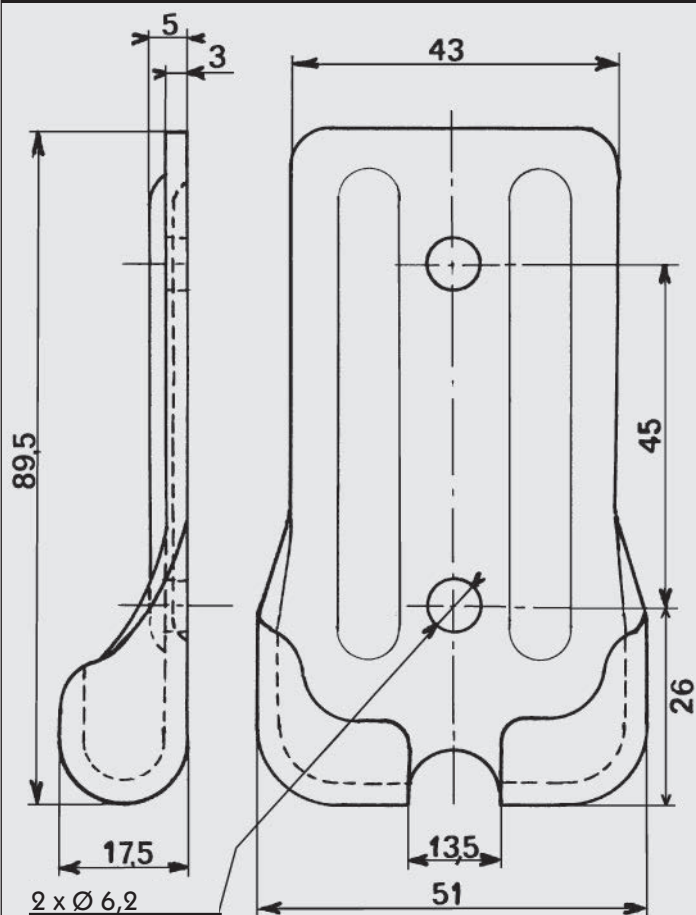
AC.172



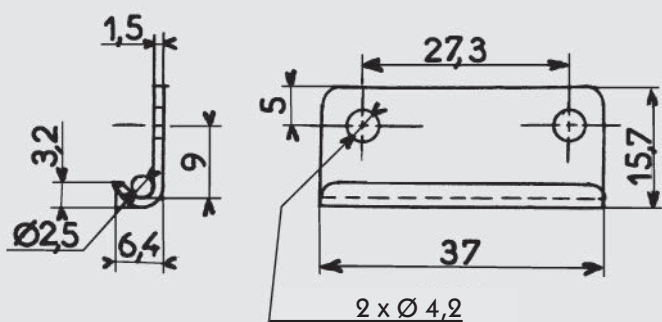
AC.170



AC.173



AC.171



REFERENCES

kg/100 (1)	Steel raw with holes	Steel raw without hole	Steel white zinc plated	Steel yellow zinc plated	Steel chrome-plated	St. Steel A2 raw with holes	St. Steel A2 raw without hole	St. Steel A2 polished	St. Steel A2 pasivated
0,520	AC.169-BR*		AC.169-ZI	AC.169-ZB*		AC.169-IB		AC.169-IP	
2,400	AC.170-BR*		AC.170-ZI	AC.170-ZB*		AC.170-IB			
0,820	AC.171-BR*		AC.171-ZI	AC.171-ZB*		AC.171-IB			
2,234	AC.172-BR*		AC.172-ZI	AC.172-ZB*		AC.172-IB*			
10,400	AC.173-BR*		AC.173-ZI	AC.173-ZB*		AC.173-IB			

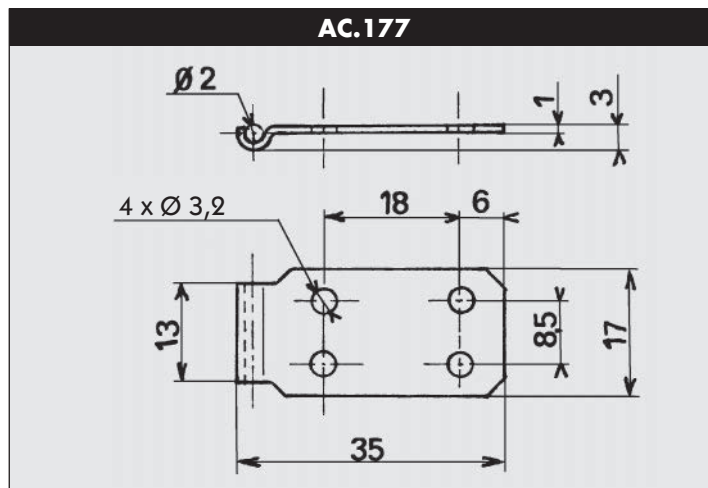


CATCHPLATES

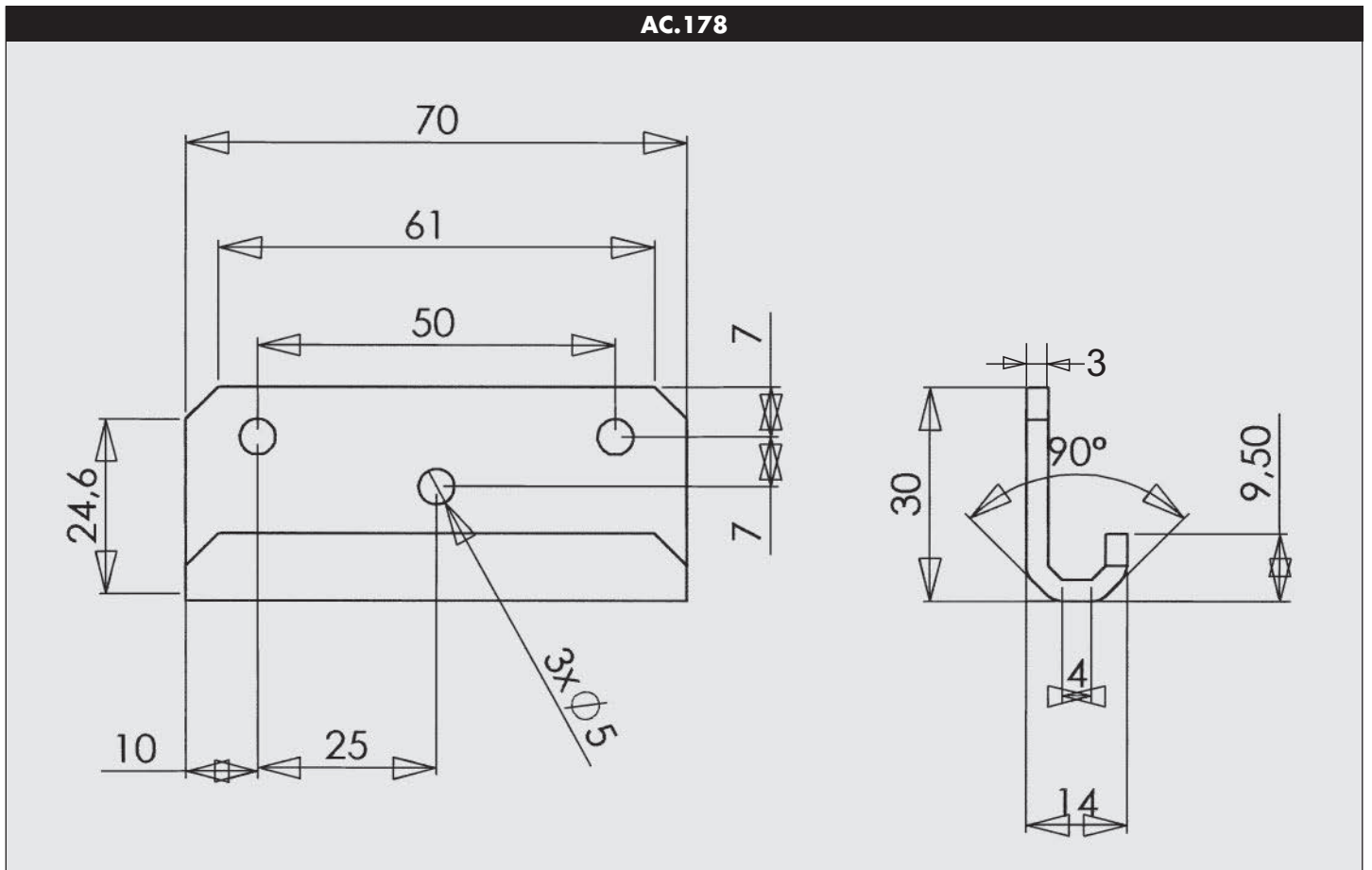


For Toggle Latches

Size : 1/1



AC.178



REFERENCES

kg/100 (1)	Steel raw with holes	Steel raw without hole	Steel white zinc plated	Steel yellow zinc plated	Steel chrome-plated	St. Steel A2 raw with holes	St. Steel A2 raw without hole	St. Steel A2 polished	St. Steel A2 pasivated
0,470 6,60	AC.177-BR*		AC.177-ZI AC.178-ZI	AC.177-ZB* AC.178-ZB*		AC.177-IB* AC.178-IB			

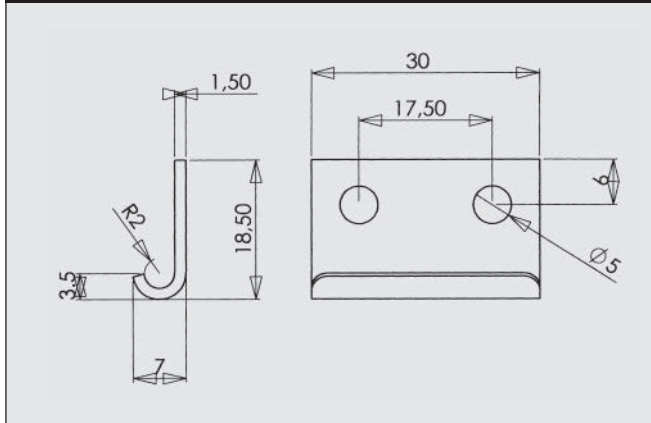
CATCHPLATES



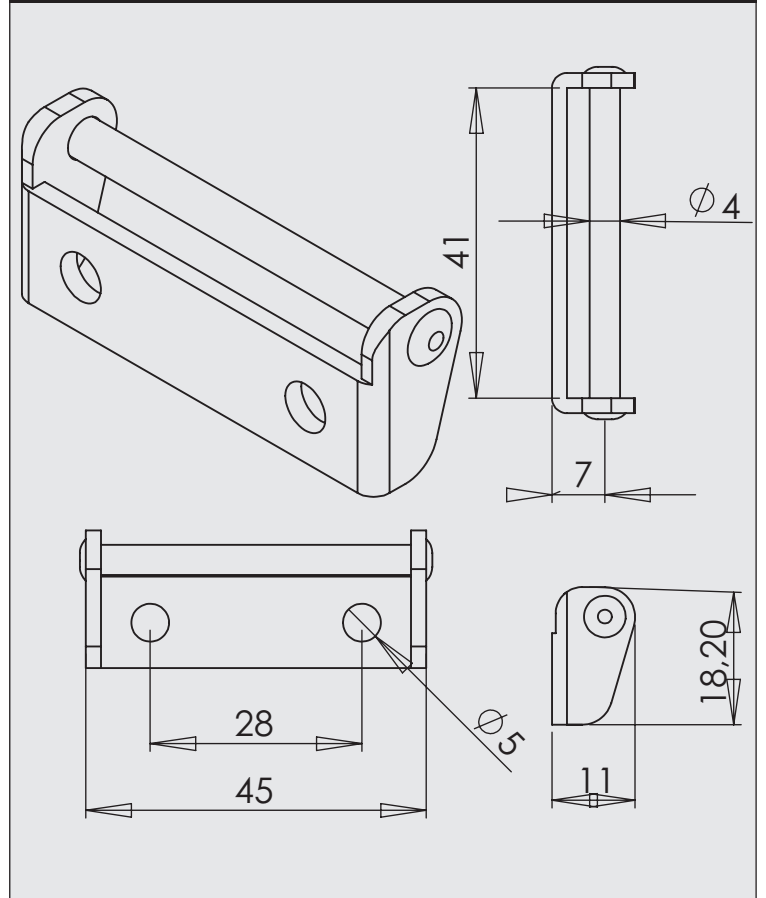
For Toggle Latches

Size : 1/1

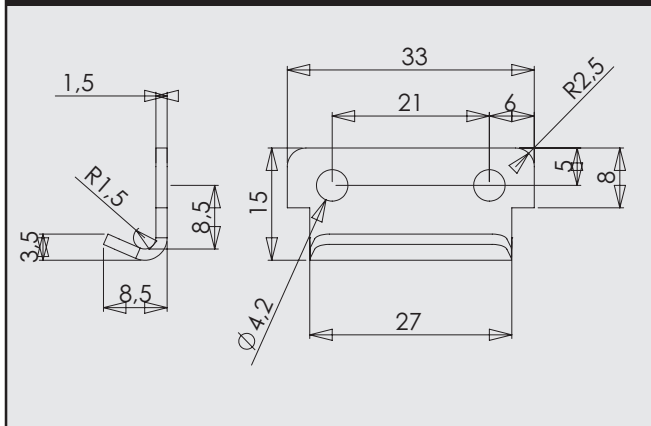
AC.179



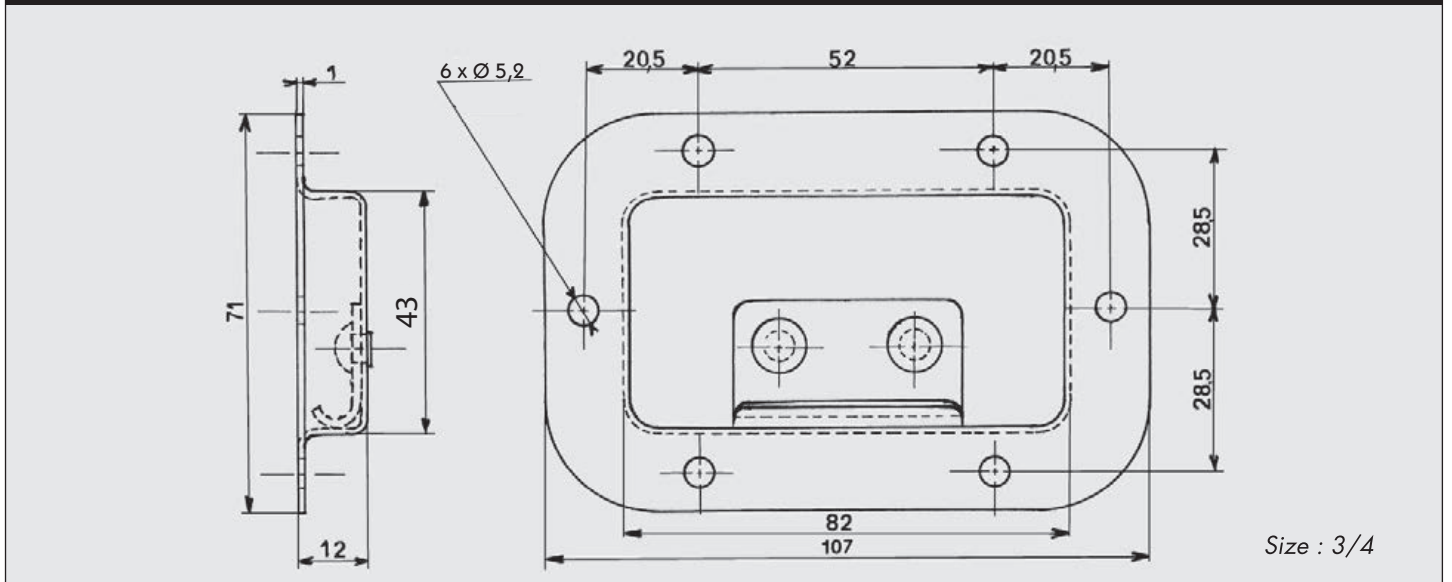
AC.181



AC.1113



AC.1160



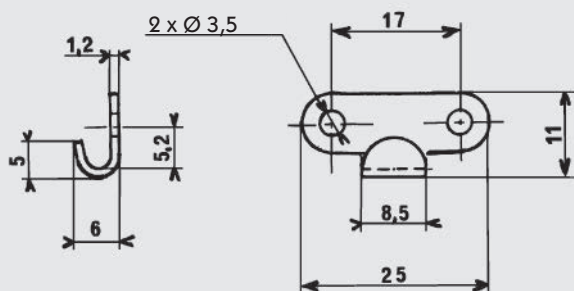
REFERENCES

(1) kg/100	Steel raw with holes	Steel raw without hole	Steel white zinc plated	Steel yellow zinc plated	Steel chrome-plated	St. Steel A2 raw with holes	St. Steel A2 raw without hole	St. Steel A2 polished	St. Steel A2 pasivated
0,470			AC.179-ZI	AC.179-ZB*		AC.179-IB		AC.179-IP*	
1,540			AC.181-ZI	AC.181-ZB*		AC.181-IB			
0,500			AC.1113-ZI	AC.1113-ZB*		AC.1113-IB		AC.1113-IP*	
8,900			AC.1160-ZI	AC.1160-ZB*					

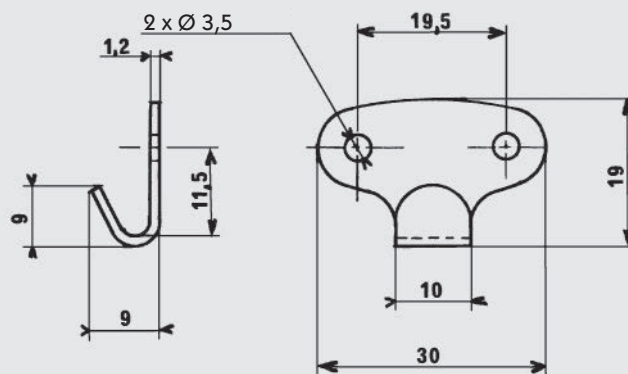
* References only produced on order

Size : 1/1

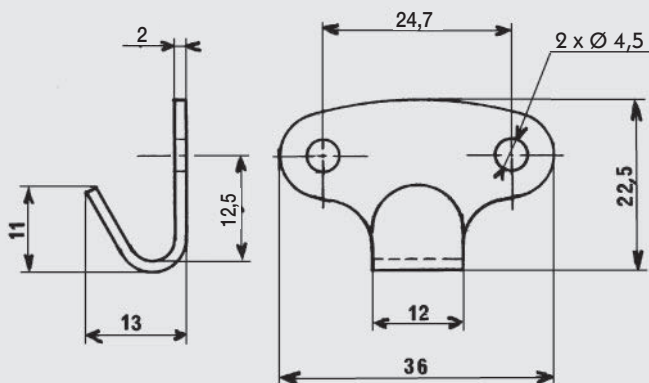
AC.235



AC.236



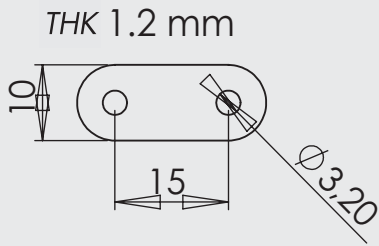
AC.239



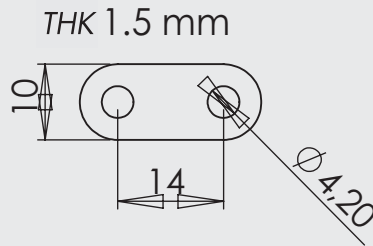
REFERENCES

kg/100 (1)	Steel					Light alloy	St. Steel A2		St. Steel A2	
	raw with holes	raw without hole	white zinc plated	yellow zinc plated	chrome-plated		raw with holes	raw without hole	polished	pasivated
0,231	AC.235-BR*	AC.235-ABR*	AC.235-ZI	AC.235-ZB*			AC.235-IB*	AC.235-AIB*		
0,435	AC.236-BR*	AC.236-ABR*	AC.236-ZI	AC.236-ZB*			AC.236-IB*	AC.236-AIB*		
0,900	AC.239-BR*	AC.239-ABR*	AC.239-ZI	AC.239-ZB*			AC.239-IB*	AC.239-AIB*		

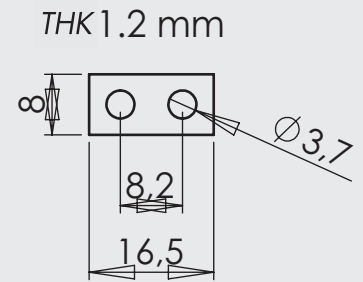
AA.9101



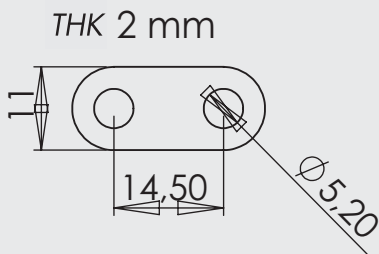
AA.9103



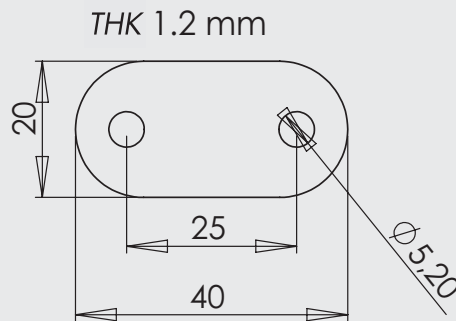
AA.9112



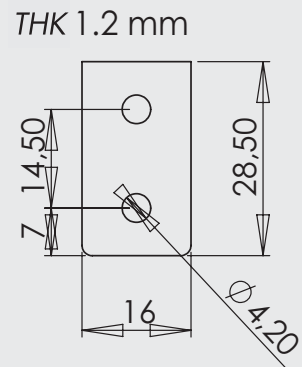
AA.9121



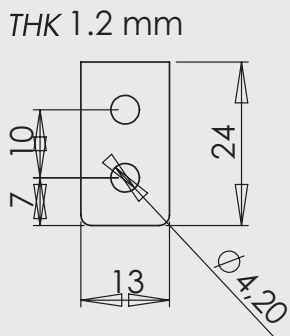
AA.9122



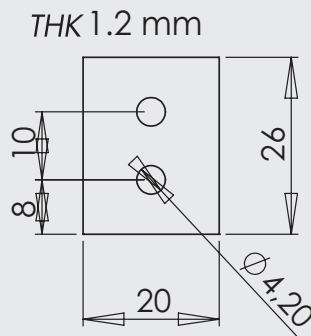
AA.9132



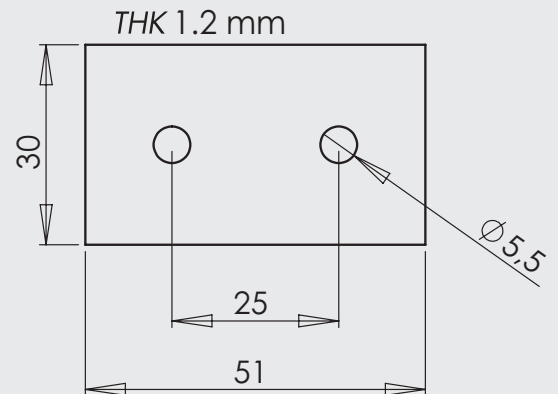
AA.9140



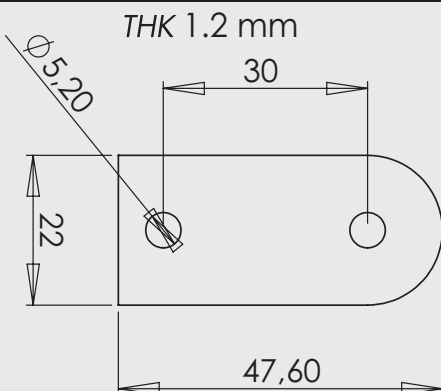
AA.9142



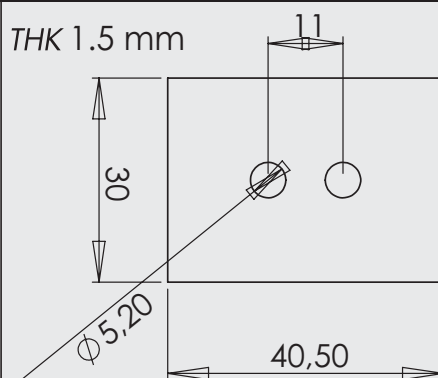
AA.9143



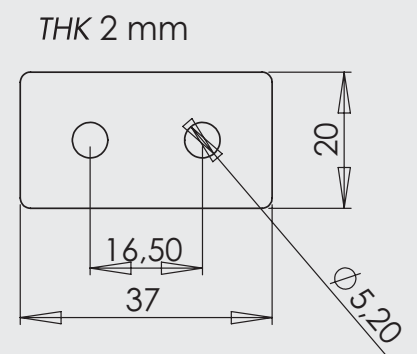
AA.9144

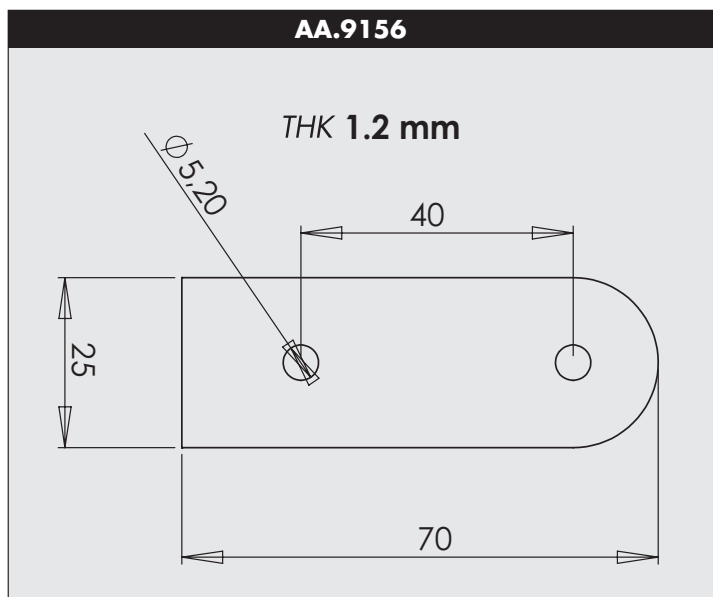
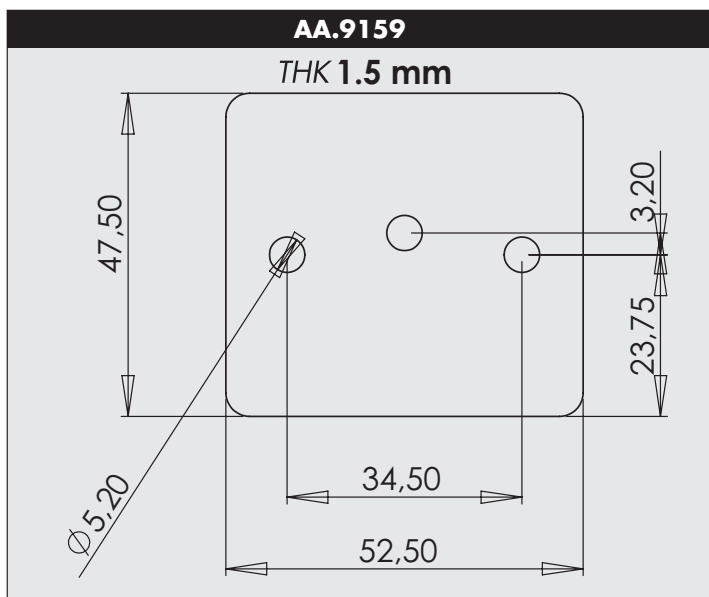
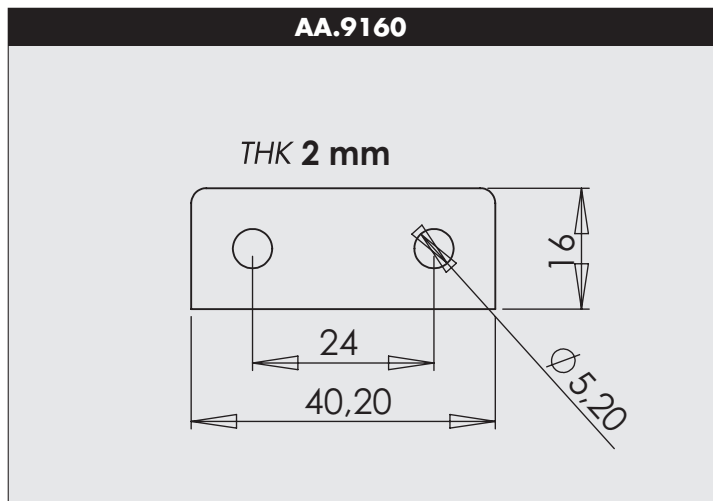


AA.9145



AA.9153

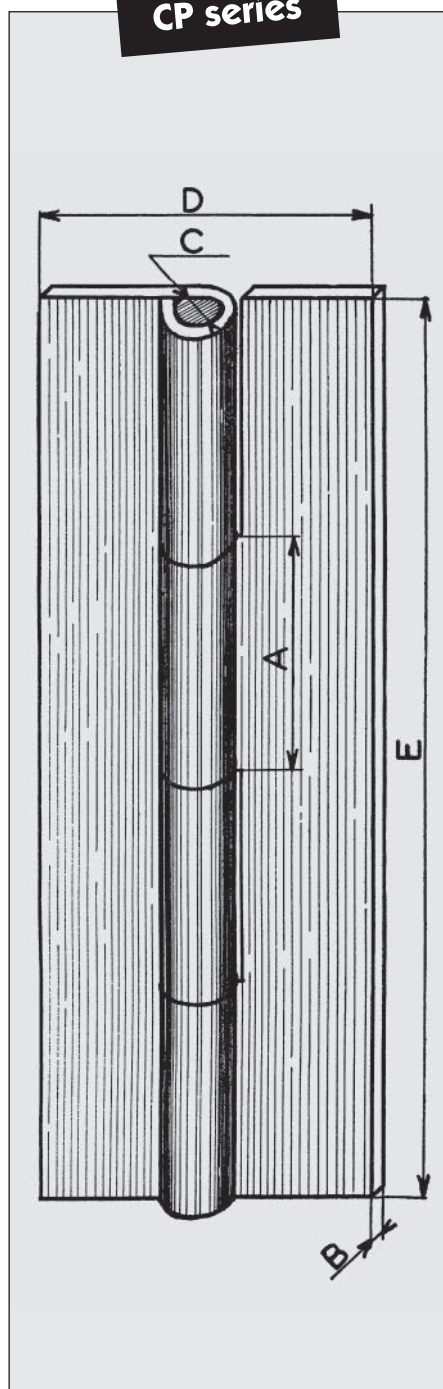


AA.9156

AA.9159

AA.9160


Using back plates is necessary for the fixing in soft material (like wood...)

MATERIAL	FINISH / REF	FINISH / REF	USED WITH CATCHPLATES
Steel	white zinc plated AA.9101-ZI	yellow zinc plated AA.9101-ZB*	AC.101 - AC.102- AC.105- AC.106 - AC.107
Steel	white zinc plated AA.9103-ZI	yellow zinc plated AA.9103-ZB*	AC.103 - AC.111 - AC.114
Steel	white zinc plated AA.9112-ZI	yellow zinc plated AA.9112-ZB*	AC.112 - AC.113 - AC.116
Steel	white zinc plated AA.9121-ZI	yellow zinc plated AA.9121-ZB*	AC.121 - AC.123
Steel	white zinc plated AA.9122-ZI	yellow zinc plated AA.9122-ZB*	AC.122 - AC.124 - AC.125 - AC.126 - AC.127 - AC.128 - AC.129
Steel	white zinc plated AA.9132-ZI	yellow zinc plated AA.9132-ZB*	AC.132
Steel	white zinc plated AA.9140-ZI	yellow zinc plated AA.9140-ZB*	AC.140
Steel	white zinc plated AA.9142-ZI	yellow zinc plated AA.9142-ZB*	AC.142
Steel	white zinc plated AA.9143-ZI	yellow zinc plated AA.9143-ZB*	AC.143
Steel	white zinc plated AA.9144-ZI	yellow zinc plated AA.9144-ZB*	AC.144
Steel	white zinc plated AA.9145-ZI	yellow zinc plated AA.9145-ZB*	AC.145
Steel	white zinc plated AA.9153-ZI	yellow zinc plated AA.9153-ZB*	AC.153
Steel	white zinc plated AA.9156-ZI	yellow zinc plated AA.9156-ZB*	AC.156 - AC.157
Steel	white zinc plated AA.9159-ZI	yellow zinc plated AA.9159-ZB*	AC.158 - AC.159
Steel	white zinc plated AA.9160-ZI	yellow zinc plated AA.9160-ZB*	AC.160 - AC.151

CP series



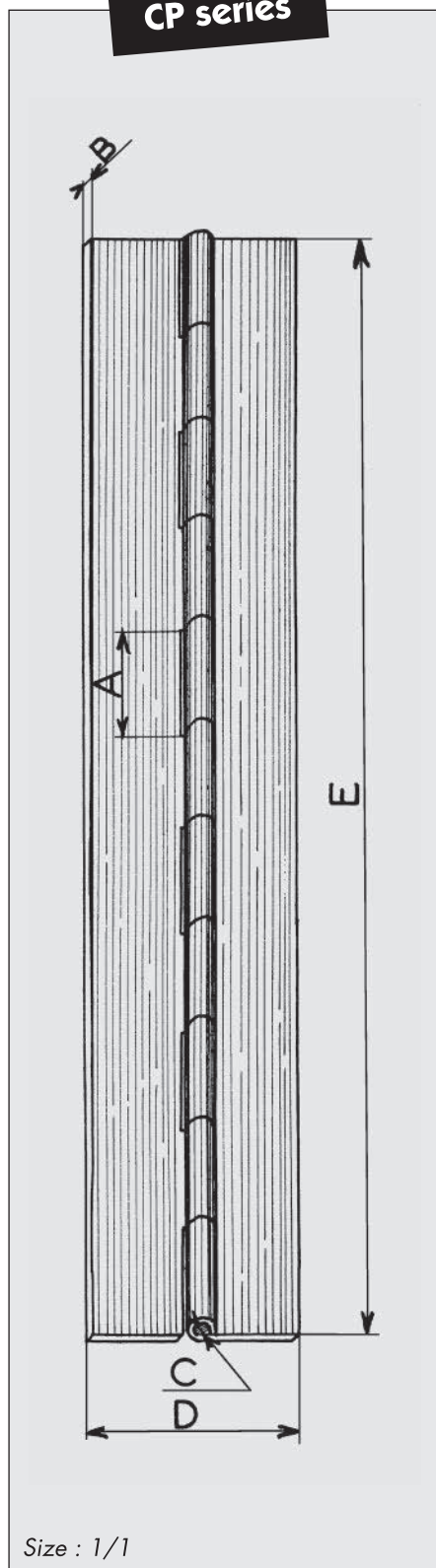
Steel - Undrilled

KNUKLE A / mm	THICKNESS B / mm	Ø PIN C / mm	WIDTH D / mm	LENGTH E / mm	REFERENCES	 kg/m
10	0,6	1,5	16	2000	CP 1006015016 ABR	0,102
10	0,6	1,5	20	2000	CP 1006015020 ABR	0,125
13 (1)	1,5	3	30	2000	CP 1315030030 ABR	0,490
13 (1)	1,5	3	40	2000	CP 1315030040 ABR	0,610
13 (1)	1,5	3	50	2000	CP 1315030050 ABR	0,730
13 (1)	1,5	3	65	2000	CP 1315030065 ABR*	0,910
13 (1)	1,5	3	80	2000	CP 1315030080 ABR*	1,090
13 (1)	1,5	3	120	2000	CP 1315030120 ABR*	1,570
13 (1)	1,5	3	200	2000	CP 1315030200 ABR*	2,530
13 (1)	1,5	3	240	2000	CP 1315030240 ABR*	3,010
15	0,7	2,4	20	2000	CP 1507024020 ABR	0,180
15	0,7	2,4	25	2000	CP 1507024025 ABR	0,206
15	0,7	2,4	30	2000	CP 1507024030 ABR	0,240
16	0,8	3	35	2000	CP 1608030035 ABR	0,318
16	0,8	3	40	2000	CP 1608030040 ABR	0,360
16	1	2,7	20	2000	CP 1610027020 ABR	0,265
16	1	2,7	25	2000	CP 1610027025 ABR	0,300
16	1	2,7	30	2000	CP 1610027030 ABR	0,335
16	1	2,7	40	2000	CP 1610027040 ABR*	0,405
16	1	2,7	50	2000	CP 1610027050 ABR	0,490
20	1,2	3	40	2000	CP 2012030040 ABR	0,530
20	1,2	3	50	2000	CP 2012030050 ABR	0,610
20	1,2	3	60	2000	CP 2012030060 ABR*	0,690
25	1,5	5	30	2000	CP 2515050030 ABR	0,670
25	1,5	5	40	2000	CP 2515050040 ABR	0,800
25	1,5	5	50	2000	CP 2515050050 ABR	0,900
30	1,5	4	40	2000	CP 3015040040 ABR	0,720
30	1,5	4	50	2000	CP 3015040050 ABR	0,850
30	1,5	4	60	2000	CP 3015040060 ABR	0,970
30	2	6	40	2000	CP 3020060040 ABR	1,120
30	2	6	50	2000	CP 3020060050 ABR	1,270
30	2	6	60	2000	CP 3020060060 ABR	1,470
30	2	6	70	2000	CP 3020060070 ABR	1,570
30	2	6	80	2000	CP 3020060080 ABR	1,700
40	2	8	80	2000	CP 4020080080 ABR	1,950
40	2,5	8	50	2000	CP 4025080050 ABR	1,770
40	2,5	8	60	2000	CP 4025080060 ABR	1,900
40	2,5	8	70	2000	CP 4025080070 ABR	2,170
40	2,5	8	80	2000	CP 4025080080 ABR	2,350
40	30	10	100	2000	CP 4030100100 ABR	3,610
40	30	10	140	2000	CP 4030100140 ABR*	4,504
50	3	10	75	2000	CP 5030100075 ABR	3,150
50	2,5	5	On quotation	2000	CP 5025050 ABR*	
50	3	5		2000	CP 5030050 ABR*	
50	3	6		2000	CP 5030060 ABR*	
50	3	10		2000	CP 5030100 ABR*	

Description :

- On quotation we can:
- Produce differents length
- Drilled the hinges
- Change the pin material, diameter...
- Cranked, cutted....
- Study all type of hinges

CP series



Description :

- On quotation we can:
- Produce differents length
- Drilled the hinges
- Change the pin material, diameter...
- Cranked, cutted....
- Study all type of hinges

BRASS - UNDRILLED

KNUKLE A / mm	THICKNESS B / mm	Ø PIN G / mm	WIDTH D / mm	LENGTH E / mm	REFERENCES	kg/m
10	0,5	1,6 (Steel)	14	2000	CP 1005016014 ALB*	0,105
10	0,5	1,6 (Steel)	18	2000	CP 1005016018 ALB*	0,130
16	0,8	3	35	2000	CP 1608030035 ALB*	0,335
16	0,8	3	40	2000	CP 1608030040 ALB*	0,390
30	2	6	40	2000	CP 3020060040 ALB	1,270
30	2	6	50	1340	CP 3020060050 ALB	1,415
30	2	6	60	1340	CP 3020060060 ALB	1,565
30	2	6	80	1340	CP 3020060080 ALB*	1,880

* References only produced on order

LIGHT ALLOY - UNDRILLED

KNUKLE A / mm	THICKNESS B / mm	Ø PIN G / mm	WIDTH D / mm	LENGTH E / mm	REFERENCES	kg/m
15	0,6	2,5 (St Steel)	20	2000	CP 1507024020 AAL	0,085
15	0,6	2,5 (St Steel)	25	2000	CP 1507024025 AAL	0,095
15	0,6	2,5 (St Steel)	30	2000	CP 1507024030 AAL	0,105
16	1	2,7 (Steel)	35	2000	CP 1610027035 AAL	0,150
16	1	2,7 (Steel)	40	2000	CP 1610027040 AAL	0,175
16	1	2,7 (Steel)	50	2000	CP 1610027050 AAL	0,200
20	1,2	3	40	2000	CP 2012030040 AAL	0,175
20	1,2	3	50	2000	CP 2012030050 AAL	0,208
20	1,2	3	60	2000	CP 2012030060 AAL	0,242
25	1,5	3	70	2000	CP 2515030070 AAL	0,375
30	1,5	4	40	2000	CP 3015040040 AAL	0,260
30	1,5	4	50	2000	CP 3015040050 AAL	0,300
30	1,5	4	60	2000	CP 3015040060 AAL	0,350
30	2	6	40	2000	CP 3020060040 AAL	0,400
30	2	6	50	2000	CP 3020060050 AAL	0,455
30	2	6	60	2000	CP 3020060060 AAL	0,510

STAINLESS STEEL - UNDRILLED

KNUKLE A / mm	THICKNESS B / mm	Ø PIN G / mm	WIDTH D / mm	LENGTH E / mm	REFERENCES	kg/m
15	0,6	2,5	20	2000	CP 1506025020 AIB	0,140
15	0,6	2,5	25	2000	CP 1506025025 AIB	0,165
15	0,6	2,5	30	2000	CP 1506025030 AIB	0,190
15	0,8	2,0	30	2000	CP 1508020030 AIB	0,205
20	1	3	20	2000	CP 2010030020 AIB	0,275
20	1	3	25	2000	CP 2010030025 AIB	0,325
20	1	3	30	2000	CP 2010030030 AIB	0,375
20	1,2	3	40	2000	CP 2012030040 AIB	0,520
20	1,2	3	50	2000	CP 2012030050 AIB	0,620
20	1,2	3	60	2000	CP 2012030060 AIB	0,700
30	1,5	4	40	2000	CP 3015040040 AIB	0,720
30	1,5	4	50	2000	CP 3015040050 AIB	0,850
30	1,5	4	60	2000	CP 3015040060 AIB	0,980
30	2	6	40	2000	CP 3020060040 AIB	1,120
30	2	6	50	2000	CP 3020060050 AIB	1,270
30	2	6	60	2000	CP 3020060060 AIB	1,470
30	2	6	70	2000	CP 3020060070 AIB	1,570
30	2	6	80	2000	CP 3020060080 AIB	1,700
40	3	10	100	2000	CP 4030100100 AIB	3,610
40	3	10	140	2000	CP 4030100140 AIB	4,504
40	3	10	140	2500	CPL 4030100140 EIB ⁽¹⁾	4,504

⁽¹⁾ Inverted leaves

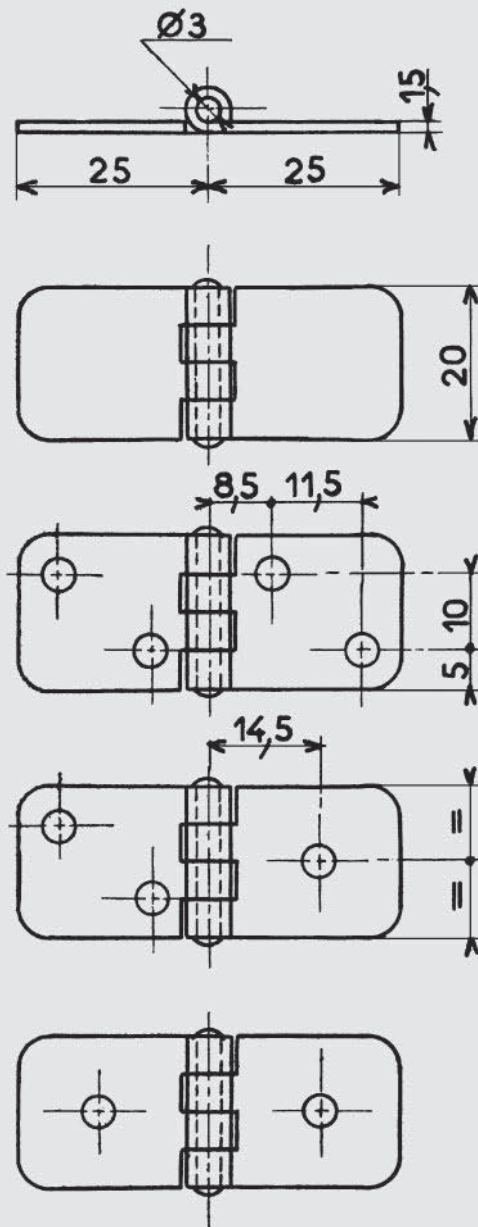
CC.404

WITHOUT HOLE (CC.404A)

4 HOLES (CC.404)

3 HOLES (CC.404-E)

2 HOLES (CC.404-F)



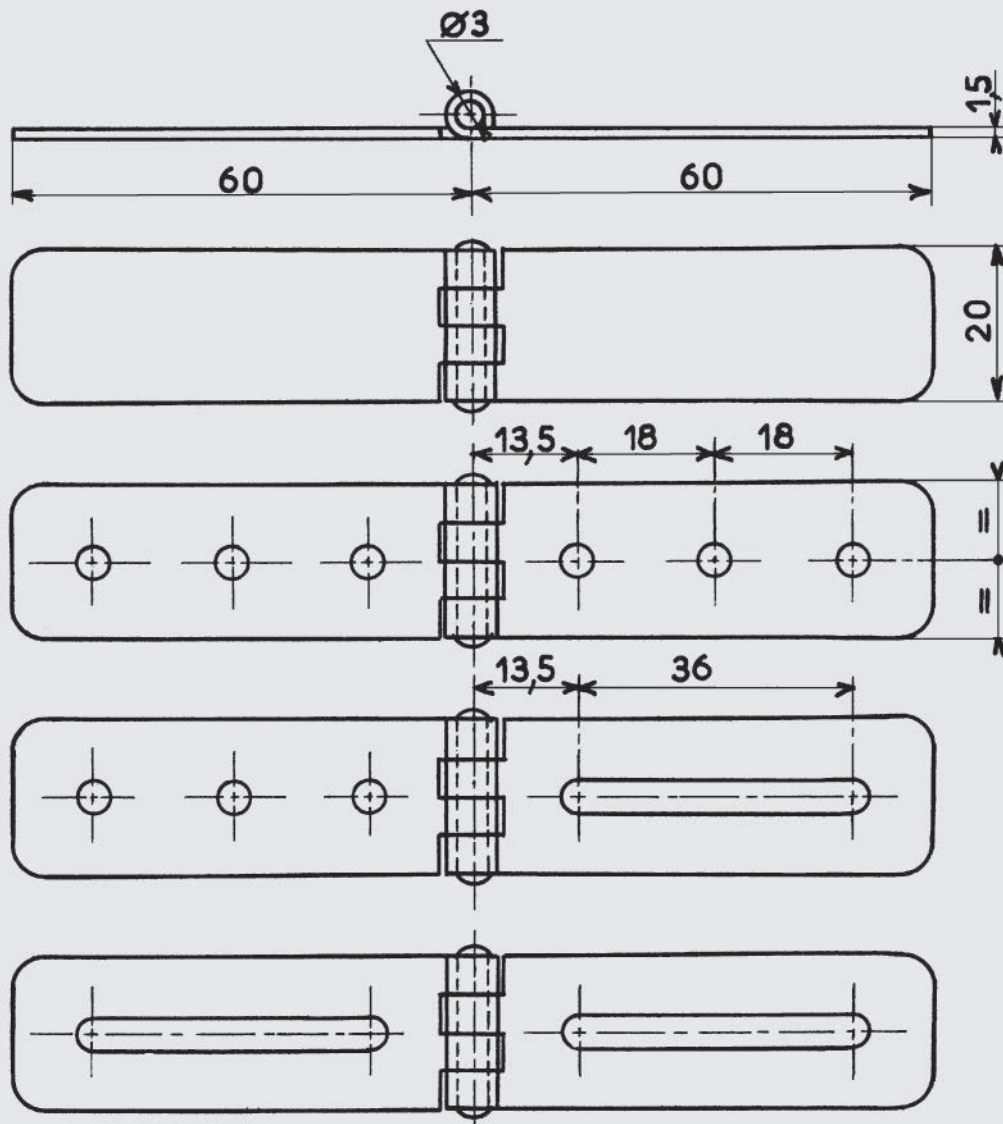
Size : 1/1

Description :

- Riveted pin
- Holes \varnothing 4,2 mm

FIXING	STEEL RAW	STEEL WHITE ZINC PLATED	STEEL YELLOW ZINC PLATED	ST. STEEL A2 RAW	kg/100
Without hole	CC.404A-BR			CC.404A-IB	1,450
4 holes		CC.404-ZI	CC.404-ZB*	CC.404-IB	1,390
3 holes		CC.404-EZI*	CC.404-EZB*	CC.404-EIB*	1,400
2 holes		CC.404-FZI*	CC.404-FZB*	CC.404-FIB*	1,420

CC.405



Size : 1/1

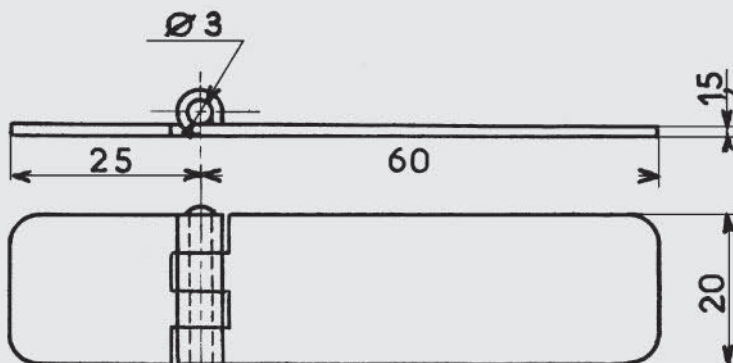
■ **Description :**

- Riveted pin
- Holes $\varnothing 4,2$ mm
- Slots Holes $40 \times \varnothing 4,2$ mm

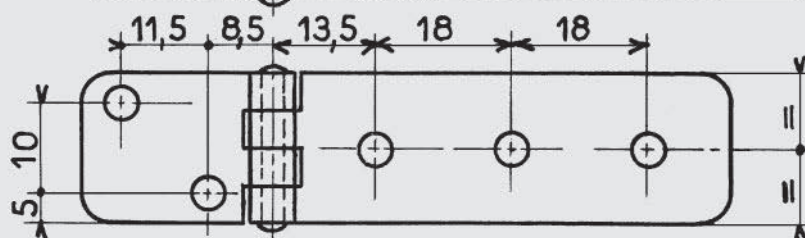
FIXING	STEEL RAW	STEEL WHITE ZINC PLATED	STEEL YELLOW ZINC PLATED	ST. STEEL A2 RAW	kg/100
Without hole	CC.405A-BR			CC.405A-IB	3,000
6 holes		CC.405-ZI	CC.405-ZB*	CC.405-IB	2,910
3 holes and 1 slot		CC.405-EZI*	CC.405-EZB*	CC.405-EIB*	2,770
2 slots		CC.405-FZI*	CC.405-FZB*	CC.405-FIB*	2,630

CC.406

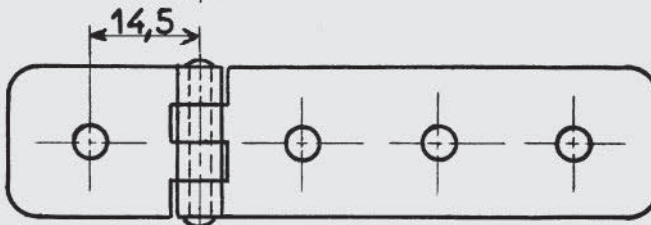
WITHOUT HOLE
(CC.406-A)



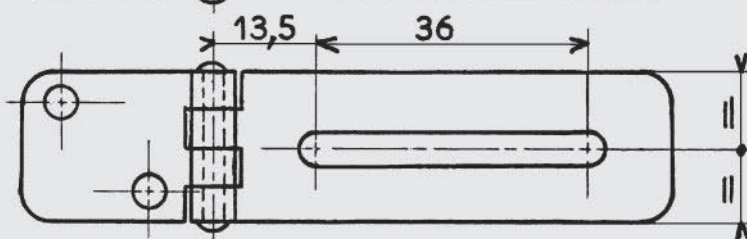
5 HOLES
(CC.406)



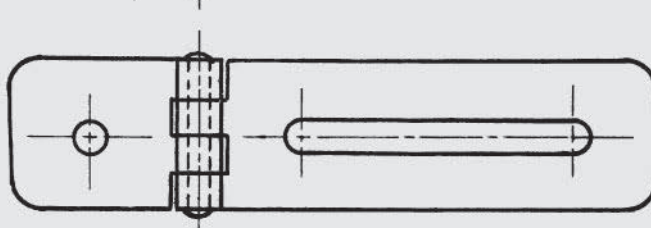
4 HOLES
(CC.406-E)



2 HOLES AND 1 SLOT
(CC.406-F)



1 HOLE AND 1 SLOT
(CC.406-G)



Size : 1/1

Description :

- Riveted pin
- Holes Ø 4,2 mm
- Slots Holes 40 x Ø4,2 mm

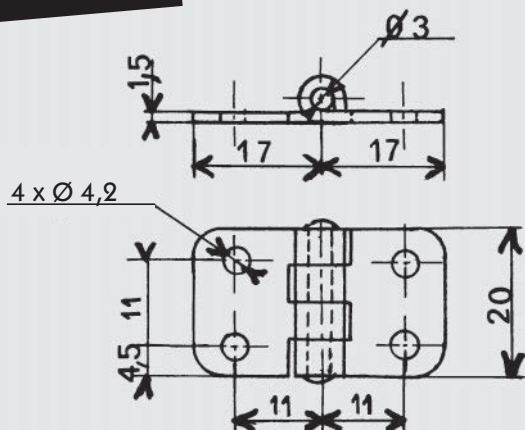
FIXING	STEEL RAW	STEEL WHITE ZINC PLATED	STEEL YELLOW ZINC PLATED	ST. STEEL A2 RAW	kg/100
Without hole	CC.406A-BR			CC.406A-IB	2,220
5 holes		CC.406-ZI	CC.406-ZB*	CC.406-IB	2,140
4 holes		CC.406-EZI*	CC.406-EZB*	CC.406-EIB*	2,160
2 holes and 1 slot ;		CC.406-FZI*	CC.406-FZB*	CC.406-FIB*	2,000
1 hole and 1 slot		CC.406-GZI*	CC.406-GZB*	CC.406-GIB*	2,020

HINGES



Cabinet hinges

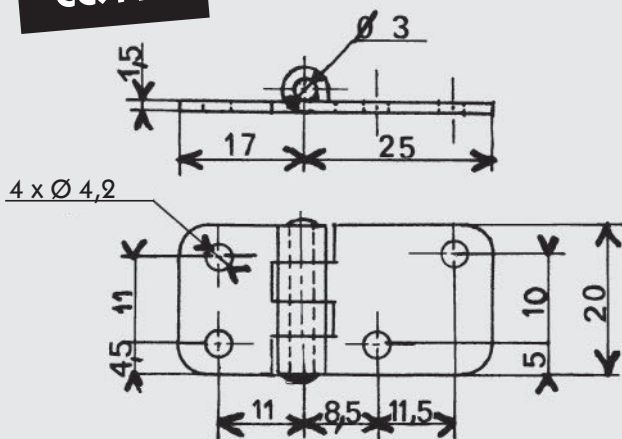
CC.447



Size : 1/1

FIXING	FINISH	kg/100	REFERENCES
without hole	Steel raw	1,448	CC.447-ABR*
4 holes	white zinc plated	1,388	CC.447-ZI
4 holes	yellow zinc plated	1,388	CC.447-ZB*
without hole	St. steel A2	1,448	CC.447-AIB*
4 holes	St. steel A2	1,388	CC.447-IB*

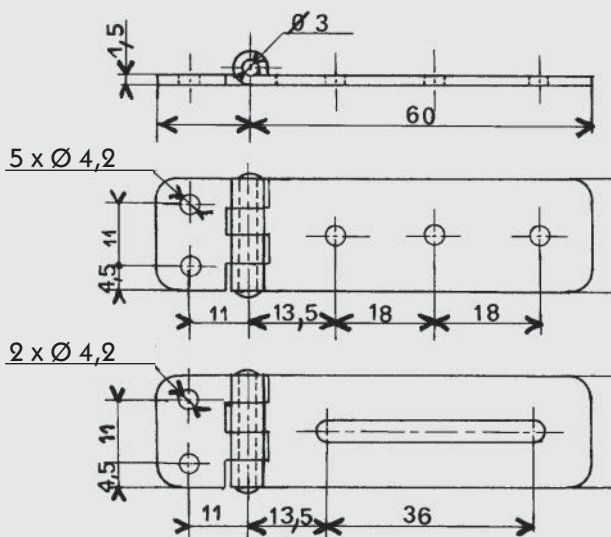
CC.448



Size : 1/1

FIXING	FINISH	kg/100	REFERENCES
without hole	Steel raw	1,449	CC.448-ABR*
4 holes	white zinc plated	1,389	CC.448-ZI*
4 holes	yellow zinc plated	1,389	CC.448-ZB*
without hole	St. steel A2	1,449	CC.448-AIB*
4 holes	St. steel A2	1,389	CC.448-IB*

CC.449



Size : 3/4

FIXING	FINISH	kg/100	REFERENCES
without hole	Steel raw	2,059	CC.449-ABR*
5 holes	white zinc plated	1,999	CC.449-ZI*
2 holes + 1 slot	white zinc plated	2,159	CC.449-EZI*
5 holes	yellow zinc plated	1,999	CC.449-ZB*
2 holes + 1 slot	yellow zinc plated	2,159	CC.449-EZB*
without hole	St. steel A2	2,059	CC.449-AIB*
5 holes	St. steel A2	1,999	CC.449-IB*
2 holes + 1 slot	St. steel A2	2,159	CC.449-EIB*

C2



40

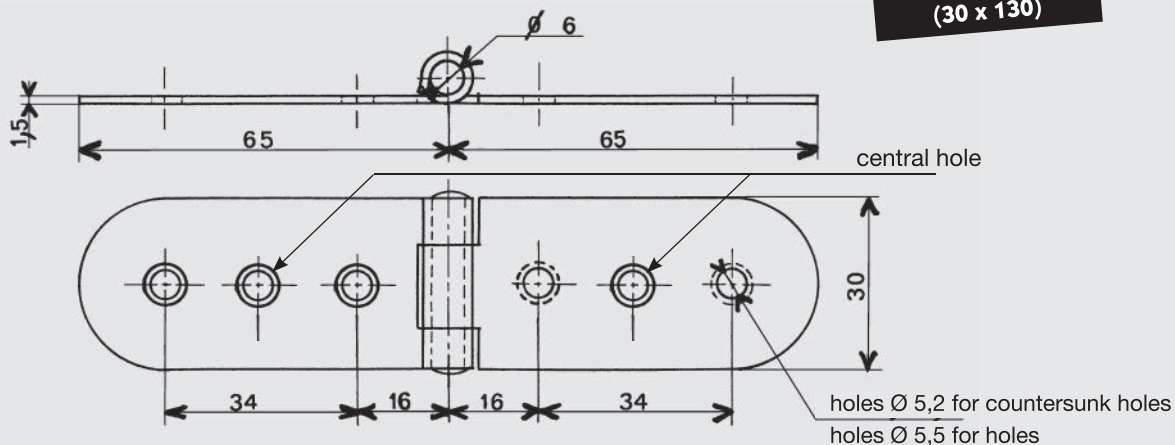
* References only produced on order

HINGES



Cabinet hinges

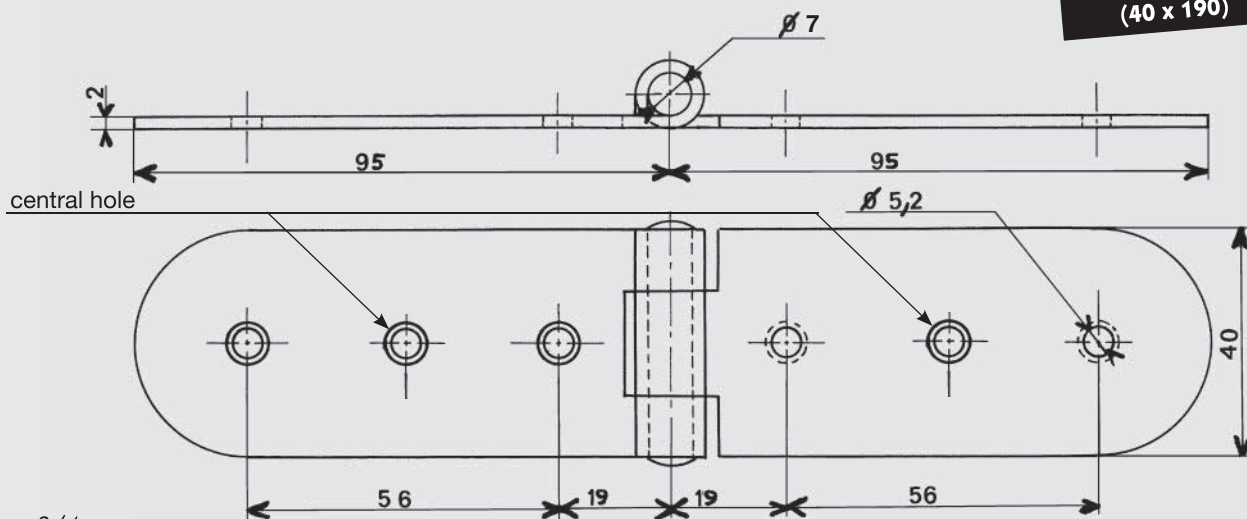
CC.432
(30 x 130)



Size : 3/4

MATERIAL	FINISH	FIXING	REFERENCES 4 HOLES	REFERENCES 6 HOLES	kg/100
Steel	yellow zinc plated	with holes	CC.432-ZB*	CC.432-EZB*	5,45
Steel	white zinc plated	with holes	CC.432-ZI	CC.432-EZI*	5,45
Steel	raw	with holes	CC.432-BR*	CC.432-EBR*	5,5
Steel	raw	without hole	CC.432-ABR*		5,6
Steel	yellow zinc plated	with countersunk holes	CC.432-CZB*	CC.432-FZB*	5,45
Steel	white zinc plated	with countersunk holes	CC.432-CZI*	CC.432-FZI*	5,45
St. steel A2	raw	with holes	CC.432-IB	CC.432-EIB*	5,5

CC.433
(40 x 190)



Size : 3/4

MATERIAL	FINISH	FIXING	REFERENCES 4 HOLES	REFERENCES 6 HOLES	kg/100
Steel	yellow zinc plated	with holes	CC.433-ZB*	CC.433-EZB*	14,15
Steel	white zinc plated	with holes	CC.433-ZI	CC.433-EZI	14,15
Steel	raw	with holes	CC.433-BR*	CC.433-EBR*	14,2
Steel	raw	without hole	CC.433-ABR*		14,33
Steel	yellow zinc plated	with countersunk holes	CC.433-CZB*	CC.433-FZB*	14,15
Steel	white zinc plated	with countersunk holes	CC.433-CZI*	CC.433-FZI*	14,15
St. steel A2	raw	with holes	CC.433-IB	CC.433-EIB*	14,2

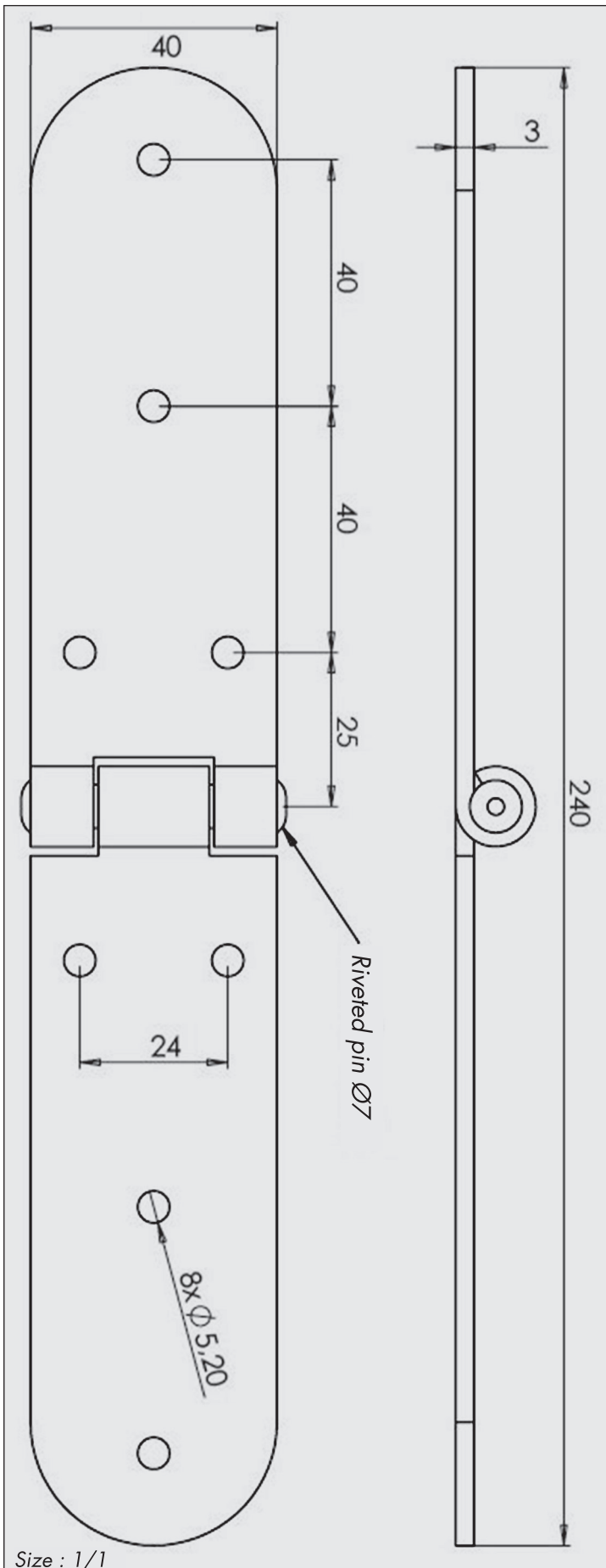
C2



5 0

* References only produced on order

CC.434
(40 x 240)



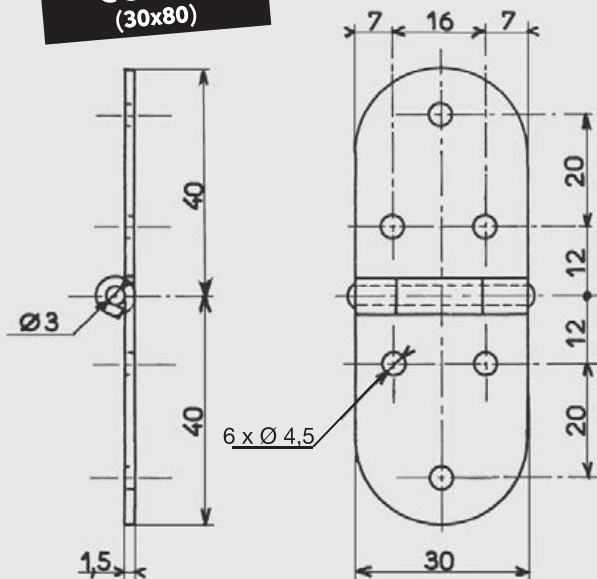
MATERIAL	FINISH	FIXING	REFERENCES	kg/100
Steel	white zinc plated	Trous lisses	CC.434-ZI	24,1
Steel	raw	Trous lisses	CC.434-BR*	24,1
Steel	raw	without hole	CC.434-ABR*	24,5
Steel	white zinc plated	Trous fraisés	CC.434-CZI*	24,1
St. steel A2	raw	Trous lisses	CC.434-IB*	24,5

HINGES



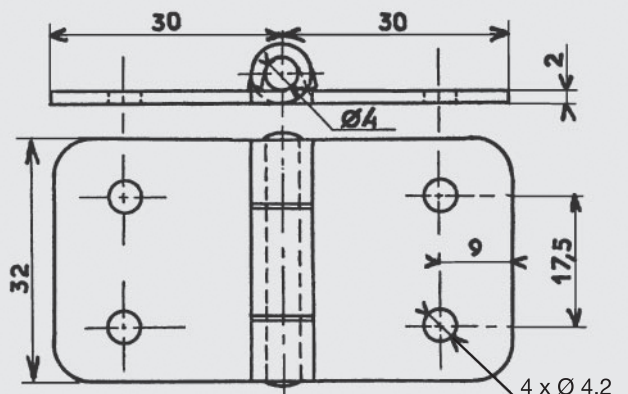
Cabinet hinges

CC.407
(30x80)



Size : 3/4

CC.414
(32 x 60)



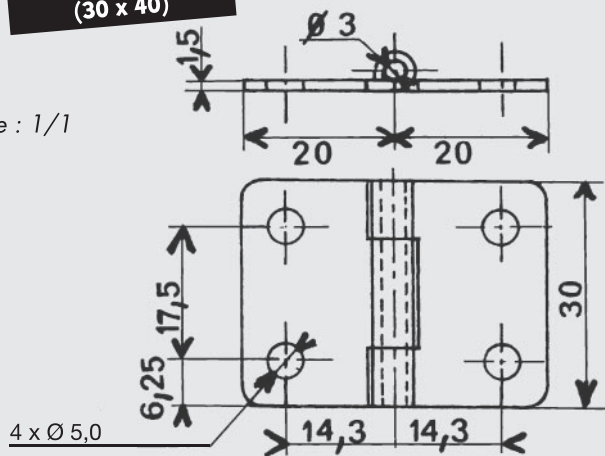
Size : 1/1

MATERIAL FINISH	WITHOUT HOLE	6 TROUS
Steel raw	CC.407A-BR*	CC.407-BR
white zinc plated		CC.407-ZI
yellow zinc plated		CC.407-ZB*
St. steel A2	CC.407A-IB*	CC.407-IB
kg/100	3,290	3,200

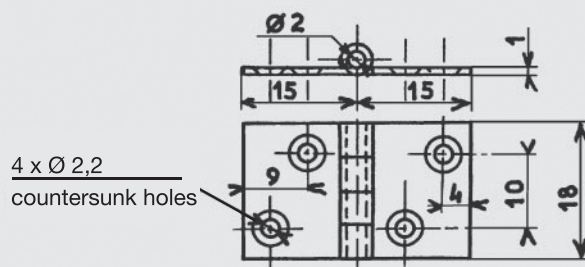
MATERIAL	FINISH	FIXING	REFERENCES	kg/100
Steel	raw	with holes	CC.414-BR	3,520
Steel	raw	without hole	CC.414A-BR*	3,600
St. steel A2	raw	with holes	CC.414-IB	3,520
St. steel A2	raw	without hole	CC.414A-IB	3,600

CC.443
(30 x 40)

Size : 1/1



CC.416
(18 x 30)



Size : 1/1

MATERIAL	FINISH	FIXING	REFERENCES	kg/100
Steel	raw	with holes	CC.443-BR*	1,870
Steel	raw	without hole	CC.443-ABR*	1,965
Steel	yellow zinc plated	with holes	CC.443-ZB*	1,870
Steel	white zinc plated	with holes	CC.443-ZI	1,870
St. steel A2	raw	with holes	CC.443-IB*	1,870

MATERIAL	FINISH	FIXING	REFERENCES	kg/100
Steel	raw	countersunk holes	CC.416B-BR*	0,480
Steel	raw	with holes	CC.416-BR*	0,480
Steel	raw	sans trou	CC.416A-BR*	0,490
St. steel A2	raw	sans trou	CC.416A-IB*	0,490

C2



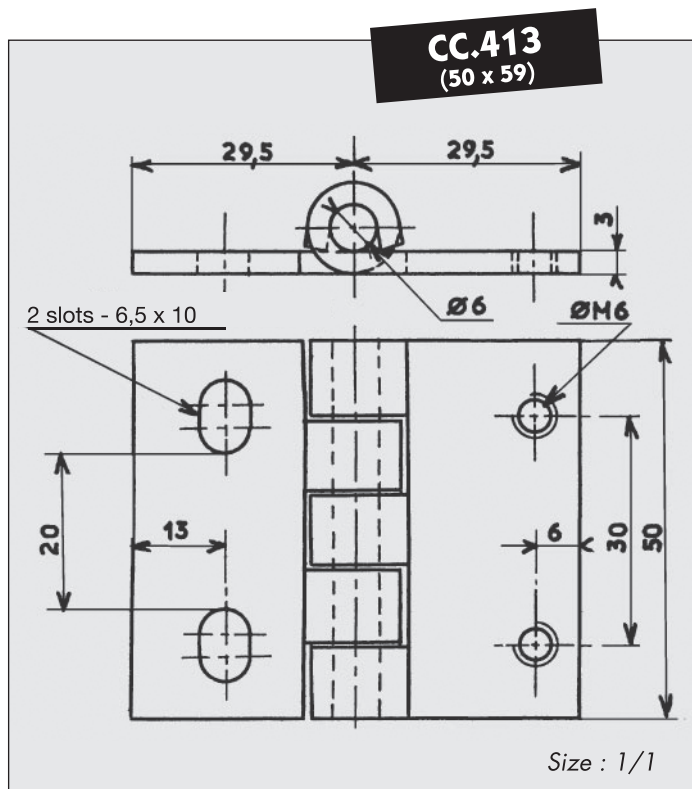
6 0

* References only produced on order

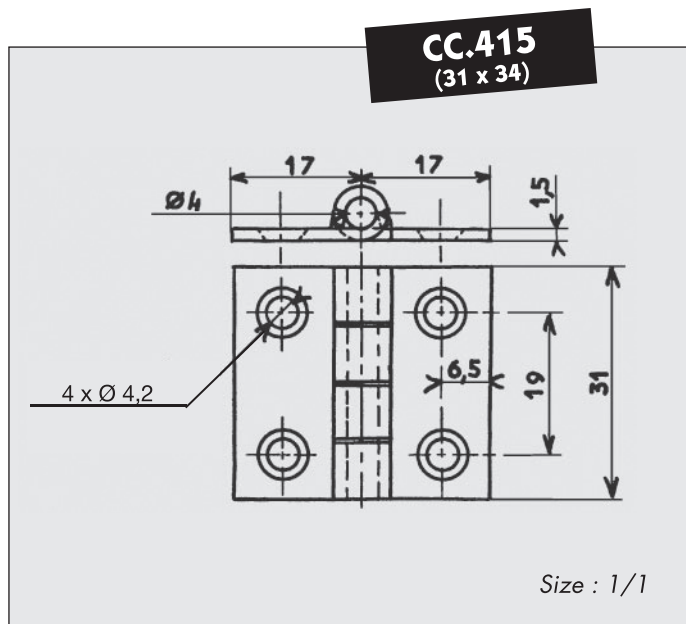
HINGES



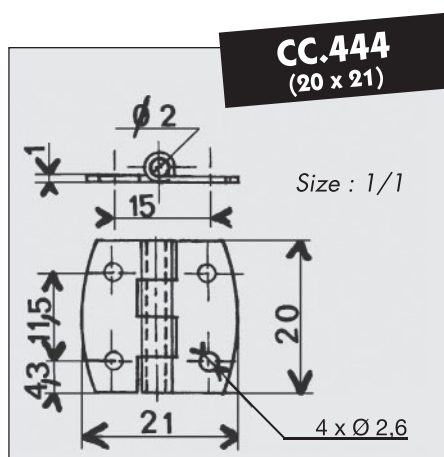
Cabinet hinges



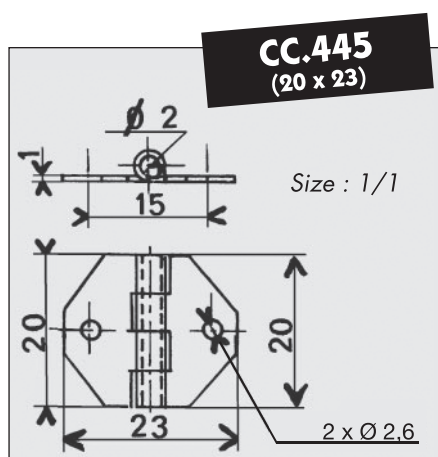
MATERIAL	FINISH	FIXING	REFERENCES	kg/100
Steel	raw	with holes	CC.413-BR	9,000
Steel	raw	without hole	CC.413A-BR	9,380
St. steel A2	raw	without hole	CC.413A-IB*	9,380
St. steel A2	raw	with holes	CC.413-IB*	9,000



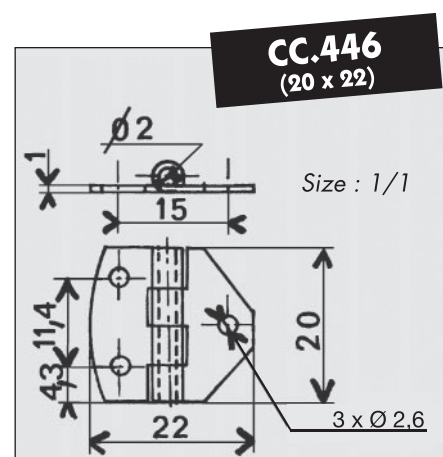
MATERIAL	FINISH	FIXING	REFERENCES	kg/100
Steel	raw	countersunk holes	CC.415B-BR*	1,970
Steel	raw	with holes	CC.415-BR*	2,000
Steel	raw	without hole	CC.415A-BR*	2,070
Inox A2	raw	without hole	CC.415A-IB*	2,070



MATERIAL AND FINISH	REFERENCES	kg/100
brass raw	CC.444-LB*	0,485
Brass without hole	CC.444-ALB*	0,498
AG3 raw	CC.444-AL*	0,158
AG3 without hole	CC.444-AAL*	0,164



MATERIAL AND FINISH	REFERENCES	kg/100
brass raw	CC.445-LB*	0,488
Brass without hole	CC.445-ALB*	0,501
AG3 raw	CC.445-AL*	0,161
AG3 without hole	CC.445-AAL*	0,165



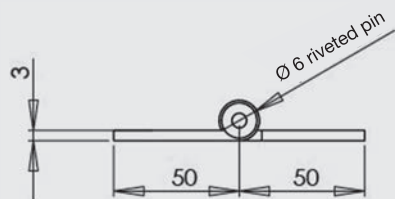
MATERIAL AND FINISH	REFERENCES	kg/100
brass raw	CC.446-LB*	0,487
Brass without hole	CC.446ALB*	0,500
AG3 raw	CC.446-AL*	0,161
AG3 without hole	CC.446-AAL*	0,165

HINGES

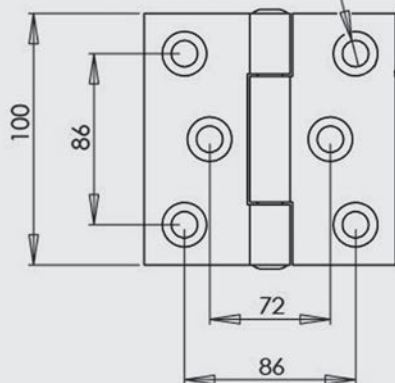


Round or square hinges

CC.483 B
(100 x 100)

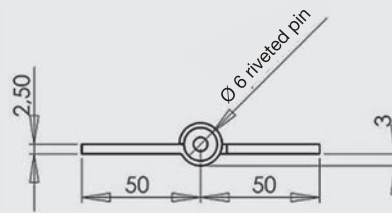


6 countersunk holes
for screw M4

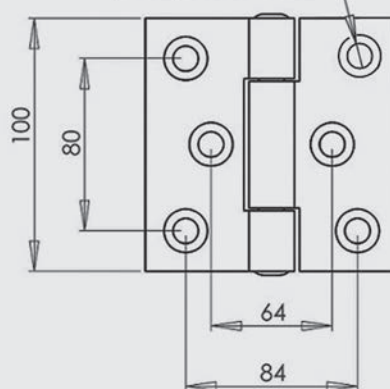


Size : 1/3

CC.483
(100 x 100)



6 countersunk holes
for screw M4

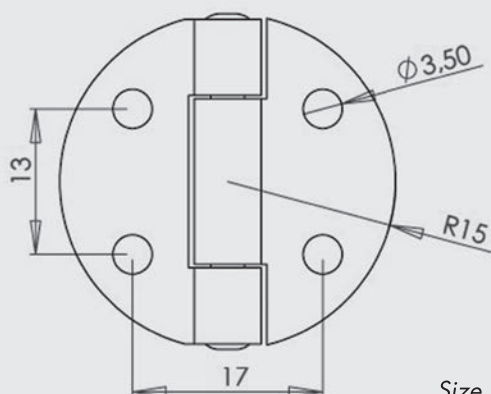
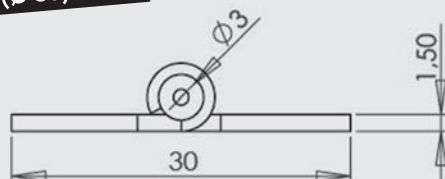


Size : 1/3

MATERIAL	FINISH	FIXING	REFERENCES	kg/100
Steel	white zinc plated	countersunk holes	CC 483 BZI	19,9
Steel	raw	countersunk holes	CC 483 BBR*	19,9
St. steel A2	raw	countersunk holes	CC 483 BIB	20,0

MATERIAL	FINISH	FIXING	REFERENCES	kg/100
Steel	white zinc plated	countersunk holes	CC 483 EZI	18,7
Steel	raw	countersunk holes	CC 483 EBR*	18,7
St. steel A2	raw	countersunk holes	CC 483 EIB	18,9

CC.474
(\varnothing 30)



Size : 1/1

MATERIAL	FINISH	FIXING	REFERENCES	kg/100
Steel	white	with holes	CC 474 ZI	1,500
Steel	white	with countersunk holes	CC 474 BZI	1,500
St. steel A2	raw	with holes	CC 474 IB	1,520
St. steel A2	raw	countersunk holes	CC 474 BIB	1,520

C3



1 0

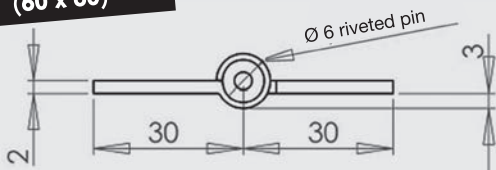
* References only produced on order

HINGES

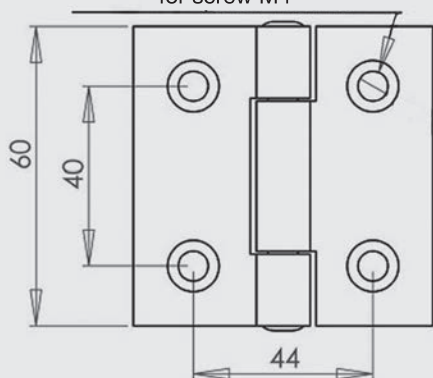


Square hinges

CC.485
(60 x 60)



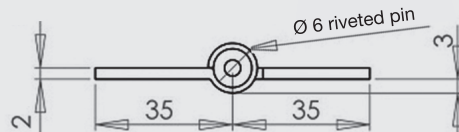
4 countersunk holes
for screw M4



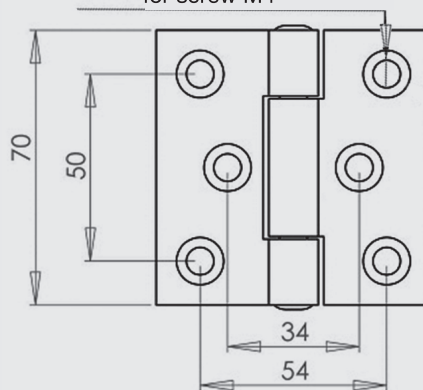
Size : 2/3

MATERIAL	FINISH	FIXING	REFERENCES	kg/100
Steel	white zinc plated	4 countersunk holes	CC 485 EZI	7,900
Steel	raw	4 countersunk holes	CC 485 EBR*	7,900
St. steel A2	raw	4 countersunk holes	CC 485 EIB	8,000

CC.487
(70 x 70)



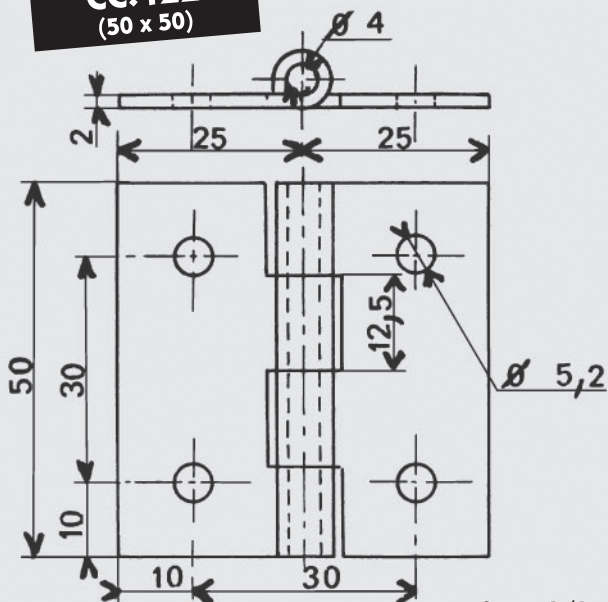
6 countersunk holes
for screw M4



Size : 1/2

MATERIAL	FINISH	FIXING	REFERENCES	kg/100
Steel	white zinc plated	6 countersunk holes	CC 487 BZI	11,900
Steel	raw	6 countersunk holes	CC 487 BBR*	11,900
St. steel A2	raw	6 countersunk holes	CC 487 BIB	12,000

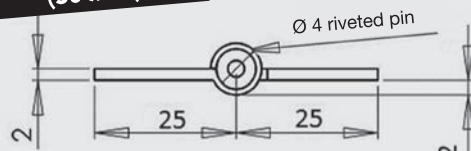
CC.422
(50 x 50)



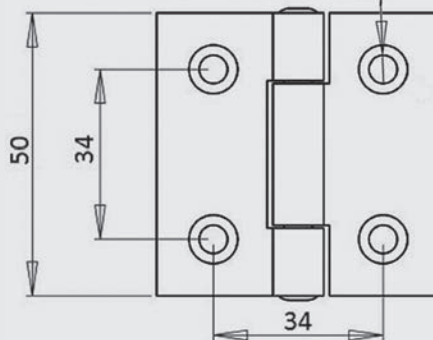
Size : 1/1

MATERIAL	FINISH	FIXING	REFERENCES	kg/100
Steel	raw	with holes	CC.422-BR	5,000
Steel	raw	without hole	CC.422-ABR	5,200
Steel	yellow zinc plated	with holes	CC.422-ZB*	5,000
Steel	white zinc plated	with holes	CC.422-ZI	5,000
St. Steel A2	raw	avec trous	CC.422-IB	5,000
St. Steel A2	raw	sans trou	CC.422-AIB	5,000

CC.422B
(50 x 50)



4 countersunk holes
for screw M4



Size : 3/4

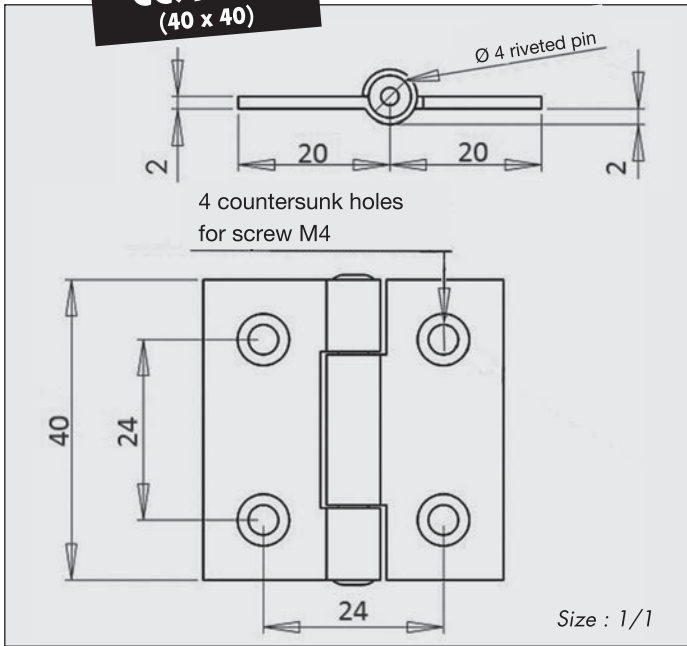
MATERIAL	FINISH	FIXING	REFERENCES	kg/100
Steel	white zinc plated	4 countersunk holes	CC 422 BZI	4,900
Steel	raw	4 countersunk holes	CC 422 BBR*	4,900
St. steel A2	raw	4 countersunk holes	CC 422 BIB	5,000

HINGES



Square hinges

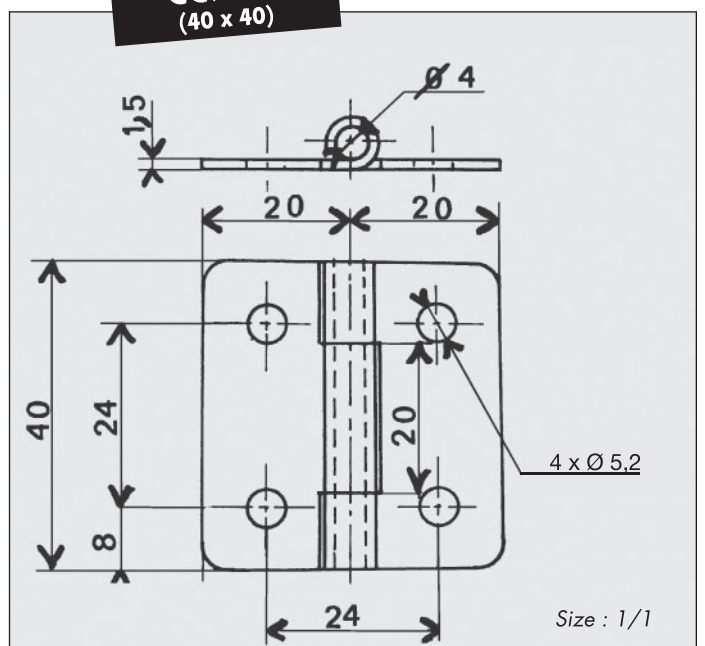
CC.490 B
(40 x 40)



Size : 1/1

MATERIAL	FINISH	FIXING	REFERENCES	kg/100
Steel	white zinc plated	countersunk holes	CC 490 BZI	4,000
Steel	raw	countersunk holes	CC 490 BBR*	4,000
St. steel A2	raw	countersunk holes	CC 490 BIB	4,100

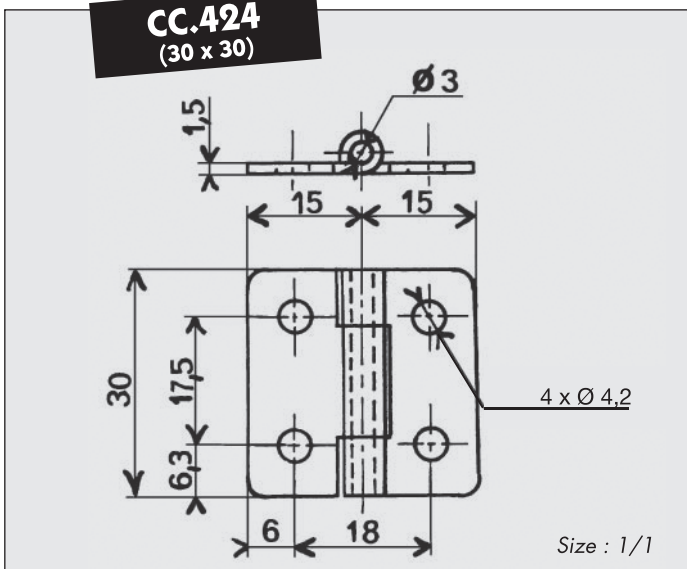
CC.423
(40 x 40)



Size : 1/1

MATERIAL	FINISH	FIXING	REFERENCES	kg/100
Steel	raw	with holes	CC.423-BR*	2,640
Steel	raw	without hole	CC.423-ABR*	2,700
Steel	white zinc plated	with holes	CC.423-ZI	2,640
Steel	yellow zinc plated	with holes	CC.423-ZB*	2,640
St. steel A2	raw	with holes	CC.423-IB	2,660
St. steel A2	raw	without hole	CC.423-AIB*	2,700

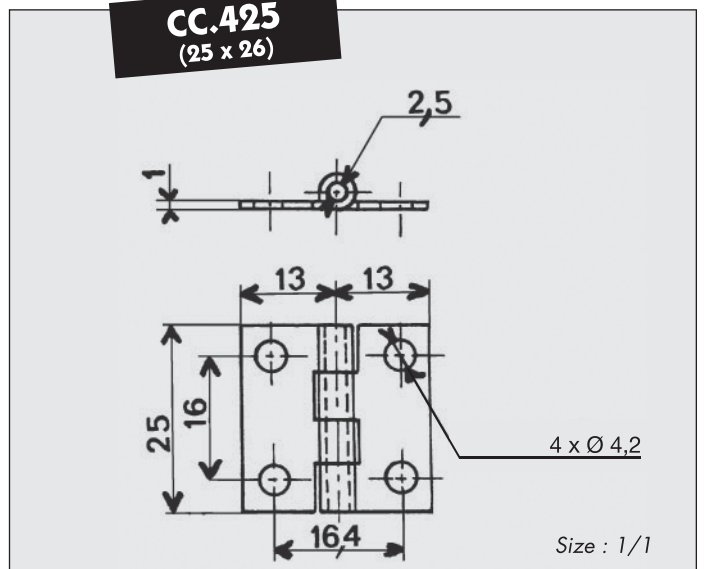
CC.424
(30 x 30)



Size : 1/1

MATERIAL	FINISH	FIXING	REFERENCES	kg/100
Steel	raw	with holes	CC.424-BR*	1,555
Steel	raw	without hole	CC.424-ABR*	1,620
Steel	yellow zinc plated	with holes	CC.424-ZB*	1,555
Steel	white zinc plated	with holes	CC.424-ZI	1,555
St. steel A2	raw	with holes	CC.424-IB	1,555
St. steel A2	raw	without hole	CC.424-AIB*	1,620

CC.425
(25 x 26)



Size : 1/1

MATERIAL	FINISH	FIXING	REFERENCES	kg/100
Steel	raw	with holes	CC.425-BR*	0,700
Steel	raw	without hole	CC.425-ABR*	0,740
Steel	white zinc plated	with holes	CC.425-ZI	0,700
St. steel A2	raw	with holes	CC.425-IB	0,700
St. steel A2	raw	without hole	CC.425-AIB*	0,740

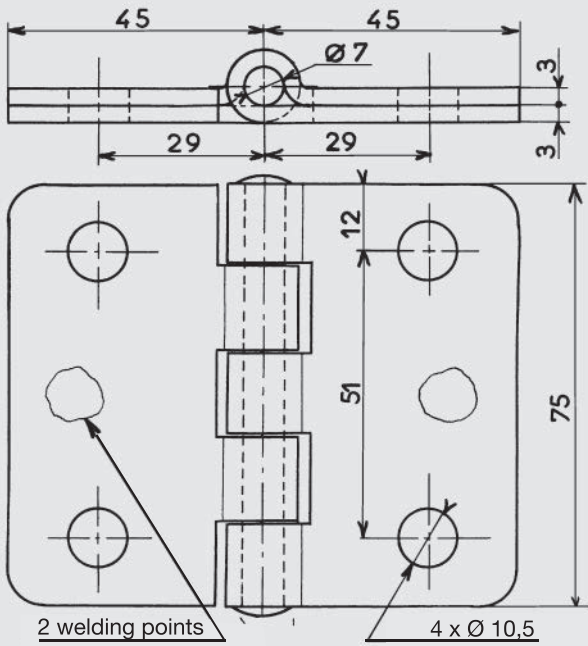


HINGES



Double leaves

CC.409
(75 x 90)

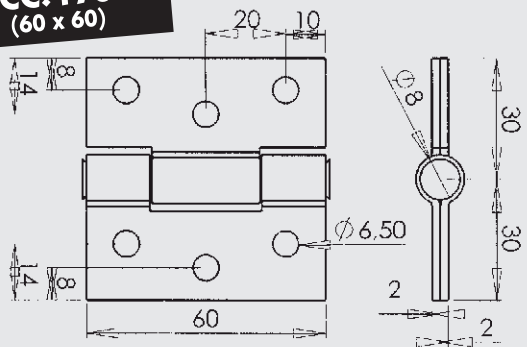


St. steel pin

Size : 1/1

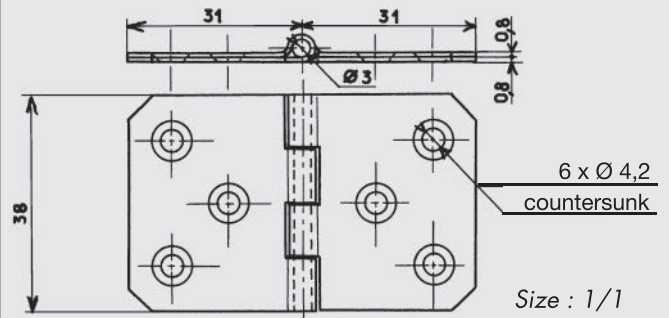
MATERIAL	FINISH	FIXING	REFERENCES	kg/100
Steel	raw	with holes	CC.409-BR	32,500
Steel	raw	without hole	CC.409-ABR	34,000
Steel	white zinc plated	with holes	CC.409-ZI	32,500
Steel	yellow zinc plated	with holes	CC.409-ZB*	32,500
St. steel A2	raw	with holes	CC.409-IB	32,500
St. steel A2	raw	without hole	CC.409-AIB	34,000

CC.470
(60 x 60)



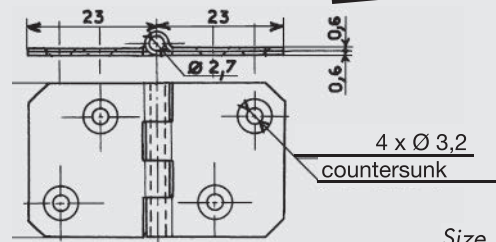
MATERIAL	FINISH	FIXING	REFERENCES	kg/100
Steel	raw	with holes	CC.470-BR	13,000
Steel	raw	without hole	CC.470-ABR	13,000
Steel	white zinc plated	with holes	CC.470-ZI	13,000
Steel	yellow zinc plated	with holes	CC.470-ZB*	13,000
St. steel A2	raw	with holes	CC.470-IB	13,800
St. steel A2	raw	without hole	CC.470-AIB	13,800

CC.411
(38 x 62)



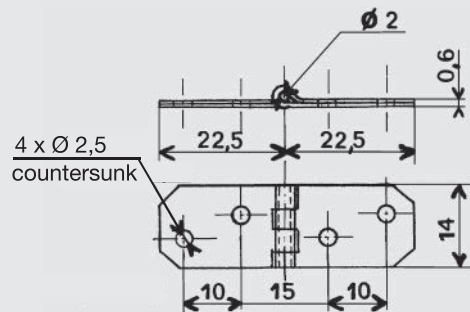
MATERIAL	FINISH	FIXING	REFERENCES	kg/100
Steel	raw	countersunk holes	CC.411-BBR*	2,900
Steel	raw	without hole	CC.411-ABR*	3,000

CC.412
(30 x 130)



MATERIAL	FINISH	FIXING	REFERENCES	kg/100
Steel	raw	countersunk holes	CC.412-BBR*	1,200
Steel	raw	without hole	CC.412-ABR*	1,300

CC.439
(14 x 45)



MATERIAL	FINISH	FIXING	REFERENCES	kg/100
Steel	raw	countersunk holes	CC.439-BBR*	0,600
Steel	raw	without hole	CC.439-ABR*	0,630

C4



1 0

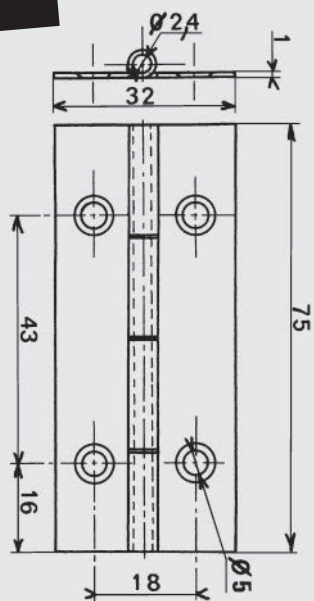
* References only produced on order

HINGES



large cabinet hinge

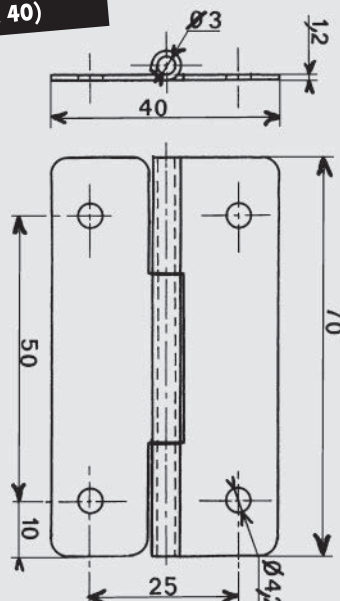
CL.418
(75 x 32)



Size : 3/4

MATERIAL	FINISH	FIXING	REFERENCES	kg/100
Steel	raw	with holes	CL.418-BR*	2,300
Steel	raw	countersunk holes	CL.418-BBR*	2,300

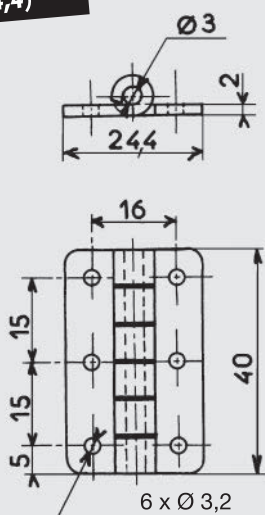
CL.419
(70 x 40)



Size : 3/4

MATERIAL	FINISH	FIXING	REFERENCES	kg/100
Steel	raw	with holes	CL.419-BR*	3,400

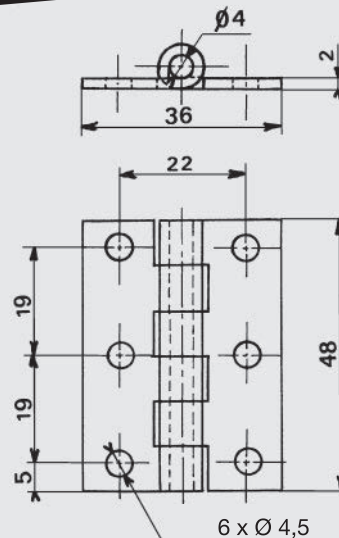
CL.420
(40 x 24,4)



Size : 3/4

MATERIAL	FINISH	FIXING	REFERENCES	kg/100
Steel	raw	without hole	CL.420-ABR*	2,120
Steel	white zinc plated	with holes	CL.420-ZI	2,050
Steel	yellow zinc plated	with holes	CL.420-ZB*	2,050
St. steel A2	raw	with holes	CL.420-IB	2,050

CL.438
(48 x 136)



Size : 3/4

MATERIAL	FINISH	FIXING	REFERENCES	kg/100
Steel	raw	without hole	CL.438-ABR*	3,850
Steel	white zinc plated	with holes	CL.438-ZI	3,700
Steel	yellow zinc plated	with holes	CL.438-ZB*	3,700
St. steel A2	raw	with holes	CL.438-IB	3,700

C5



1 0

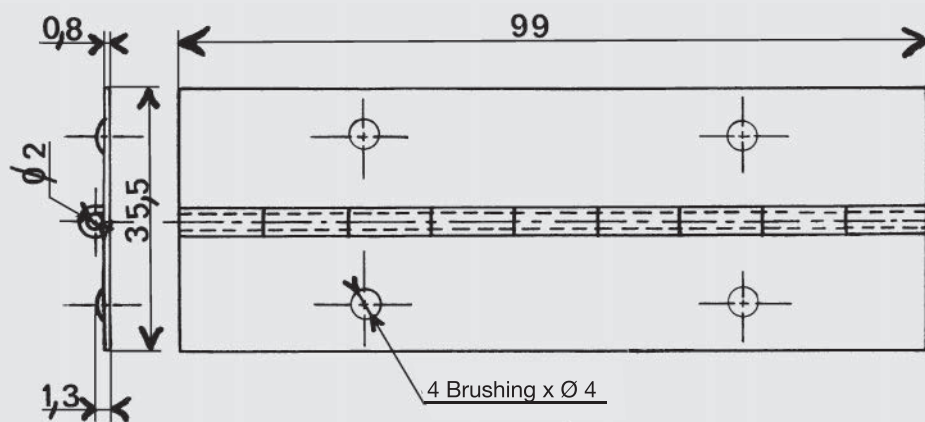
* References only produced on order

HINGES



large cabinet hinge

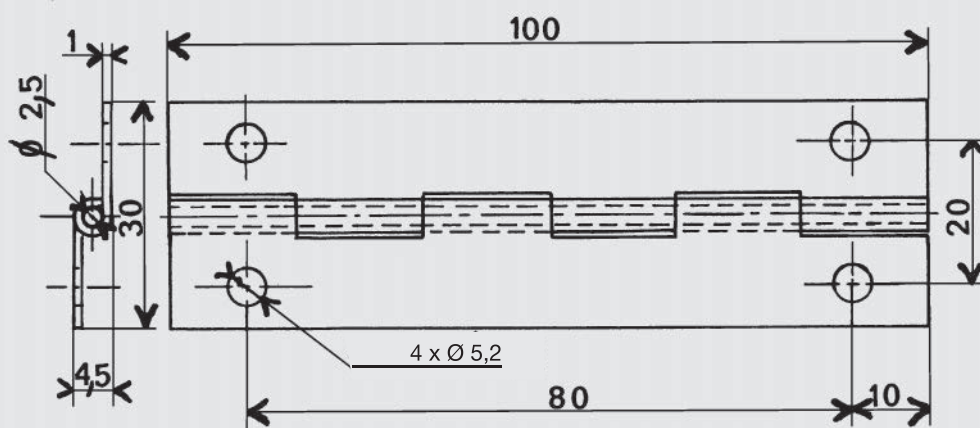
CL.440
(99 x 35,5)



Size : 1/1

MATERIAL	FINISH	FIXING	REFERENCES	kg/100
Steel	raw	Brushing for welding	CL.440-UBR*	2,900
St. steel A2	raw	Brushing	CL.440-UIB*	2,900

CL.441
(100 x 30)



Size : 1/1

MATERIAL	FINISH	FIXING	REFERENCES	kg/100
Steel	raw	without hole	CL.441-ABR*	3,140
Steel	zinc plated	with holes	CL.441-ZE*	3,070

C5



2

0

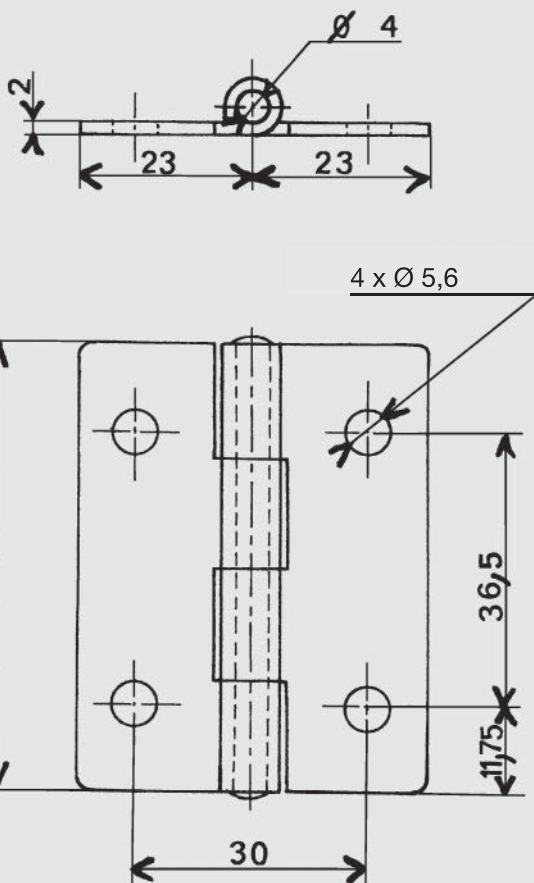
* References only produced on order

HINGES



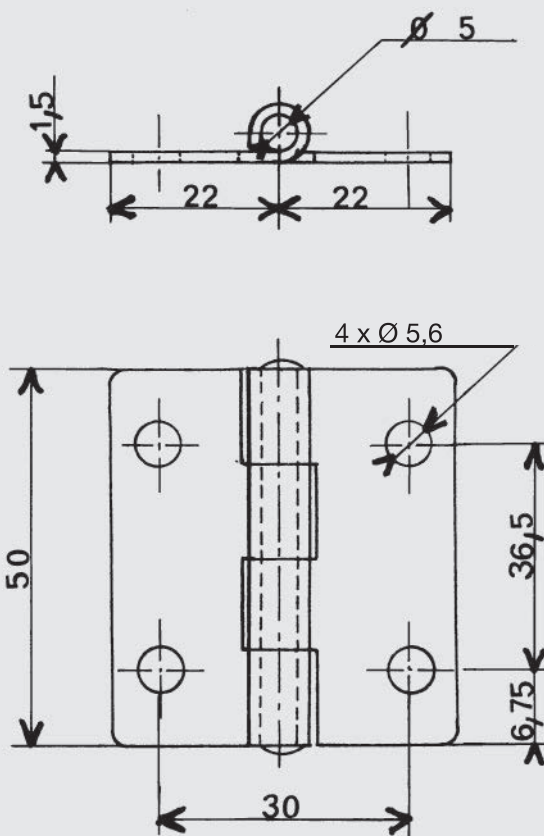
Long hinges

CL.436
(60 x 46)



Size : 1/1

CL.437
(50 x 44)

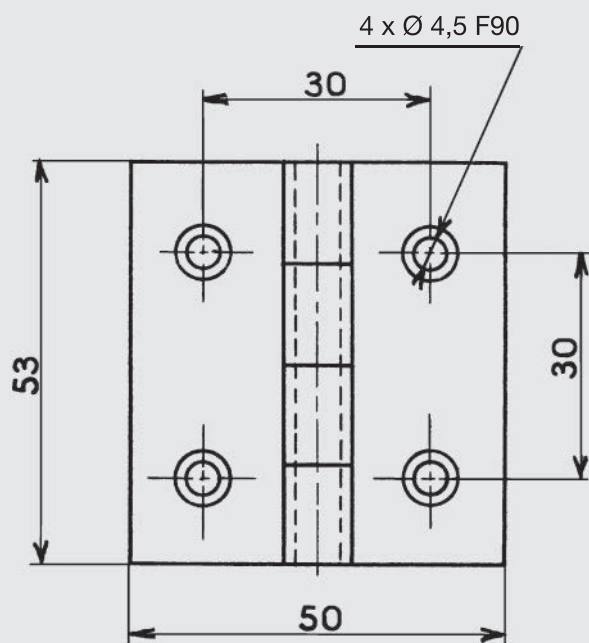
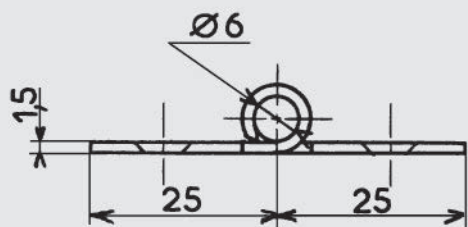


Size : 1/1

MATERIAL	FINISH	FIXING	REFERENCES	kg/100
Steel	raw	without hole	CL.436-ABR*	5,740
Steel	white zinc plated	4 holes	CL.436-ZI	5,800
Steel	yellow zinc plated	4 holes F.90	CL.436-BZI*	5,750
St. steel A2	raw	without hole	CL.436-AIB*	5,740
St. steel A2	raw	4 holes	CL.436-IB*	5,800

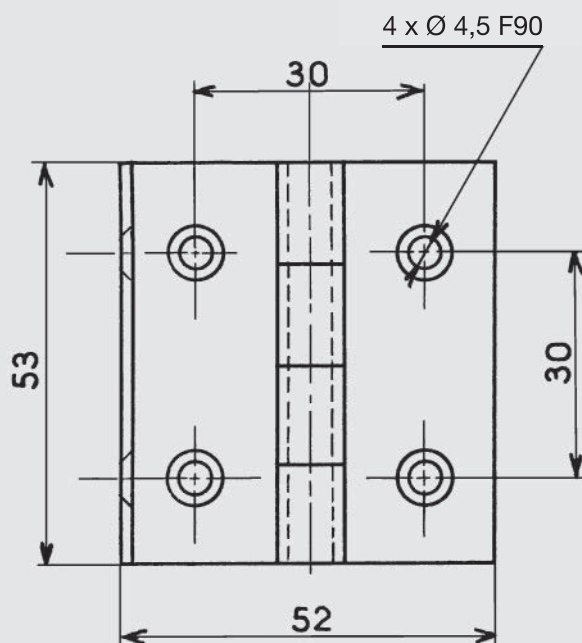
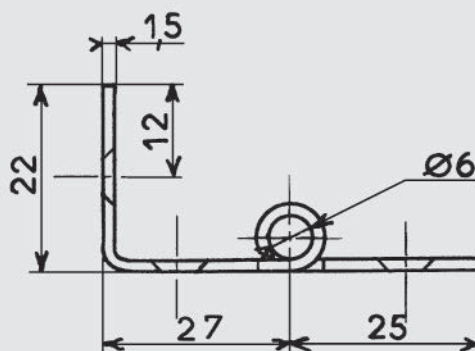
MATERIAL	FINISH	FIXING	REFERENCES	kg/100
Steel	raw	without hole	CL.437-ABR*	4,217
Steel	white zinc plated	4 holes	CL.437-ZI	4,100
Steel	yellow zinc plated	4 holes F.90	CL.437-BZI*	4,089
St. steel A2	raw	without hole	CL.437-AIB*	4,217
St. steel A2	raw	4 holes	CL.437-IB*	4,100

All material and coating on demand.

CL.428


Holes Ø 4,9

Size : 1/1

CL.429


Holes Ø 4,9

Size : 1/1

MATERIAL	FINISH	FIXING	REFERENCES	kg/100
Steel	zinc plated	countersunk holes	CL.428-BZE*	5,280
Steel	raw	with holes	CL.428-BR*	5,280
Steel	white zinc plated	with holes	CL.428-ZI	5,280
Steel	yellow zinc plated	with holes	CL.428-ZB*	5,280

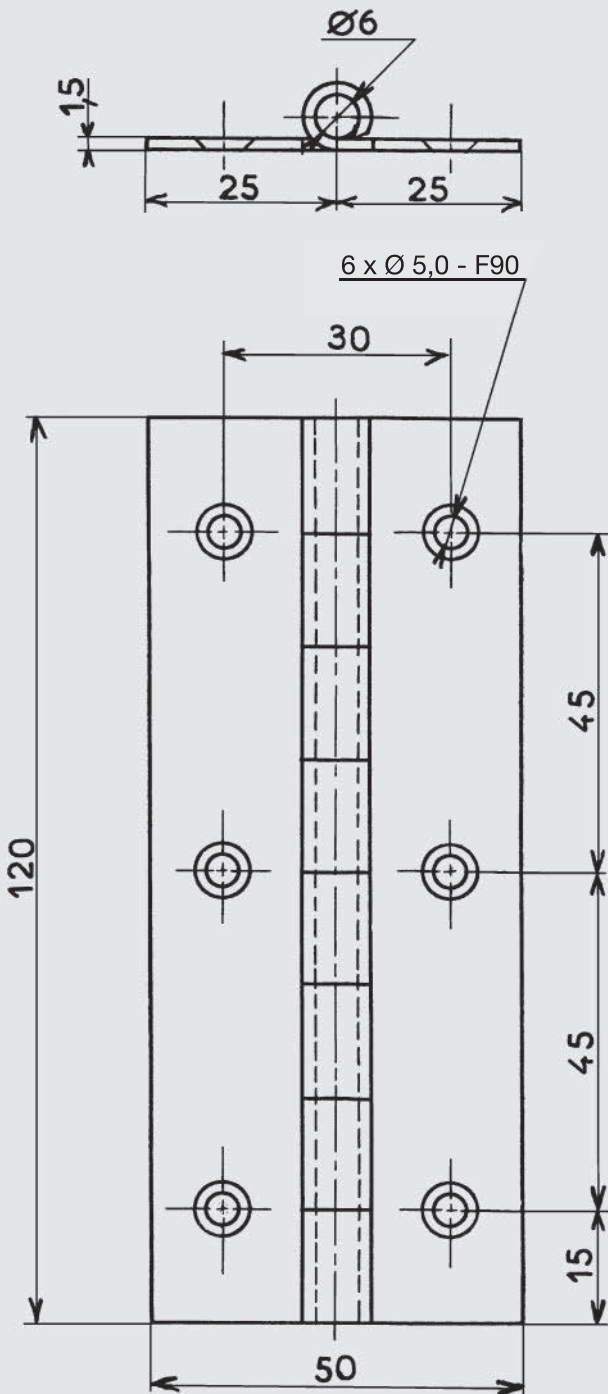
MATERIAL	FINISH	FIXING	REFERENCES	kg/100
Steel	zinc plated	countersunk holes	CL.429-BZE*	6,480
Steel	raw	with holes	CL.429-BR*	6,480
Steel	white zinc plated	with holes	CL.429-ZI	6,480
Steel	yellow zinc plated	with holes	CL.429-ZB*	6,480

HINGES



large cabinet hinge

CL.430

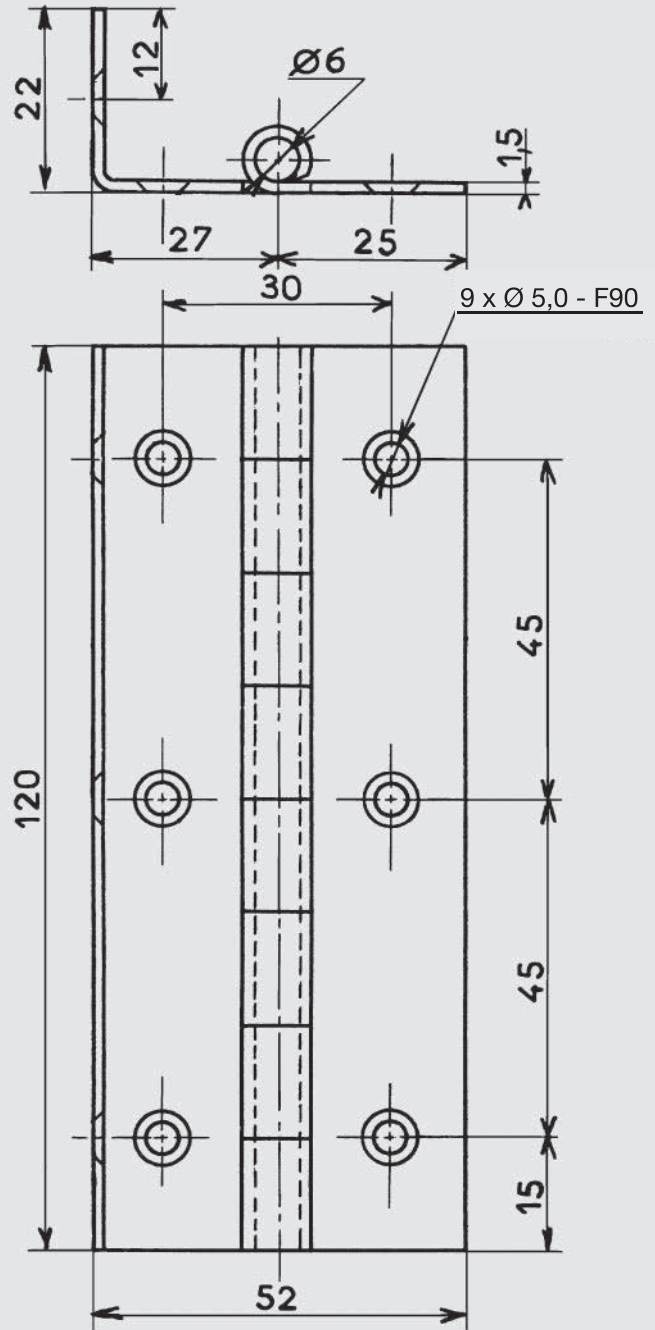


Holes Ø 5

Size : 1/1

MATERIAL	FINISH	FIXING	REFERENCES	kg/100
Steel	zinc plated	countersunk holes	CL.430-BZE*	11,600
Steel	raw	with holes	CL.430-BR*	11,600
Steel	white zinc plated	with holes	CL.430-ZI	11,600
Steel	yellow zinc plated	with holes	CL.430-ZB*	11,600

CL.431



Holes Ø 5

Size : 1/1

MATERIAL	FINISH	FIXING	REFERENCES	kg/100
Steel	zinc plated	countersunk holes	CL.431-BZE*	14,900
Steel	raw	with holes	CL.431-BR*	14,900
Steel	white zinc plated	with holes	CL.431-ZI	14,900
Steel	yellow zinc plated	with holes	CL.431-ZB*	14,900

C5



5 0

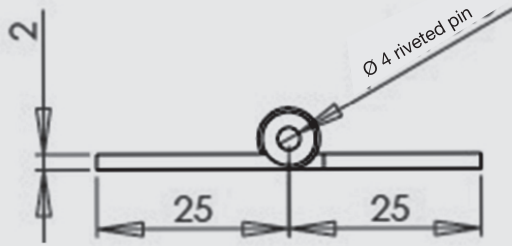
* References only produced on order

HINGES

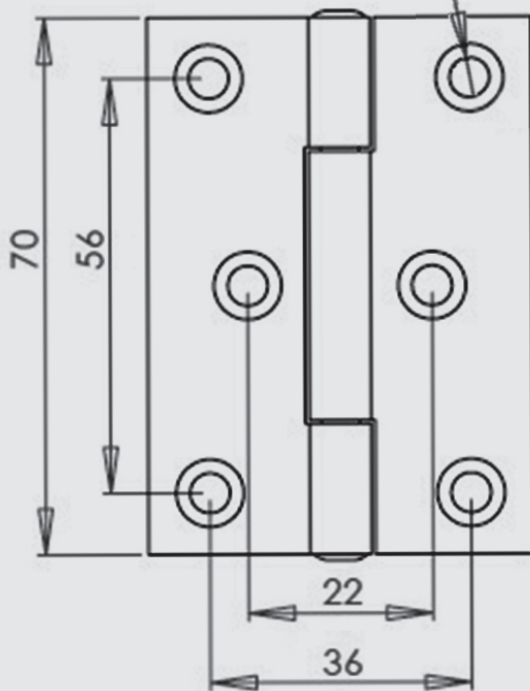


large cabinet hinge

CL.481
(70 x 50)

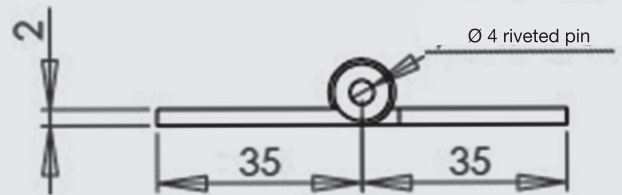


6 countersunk holes
for screw M4

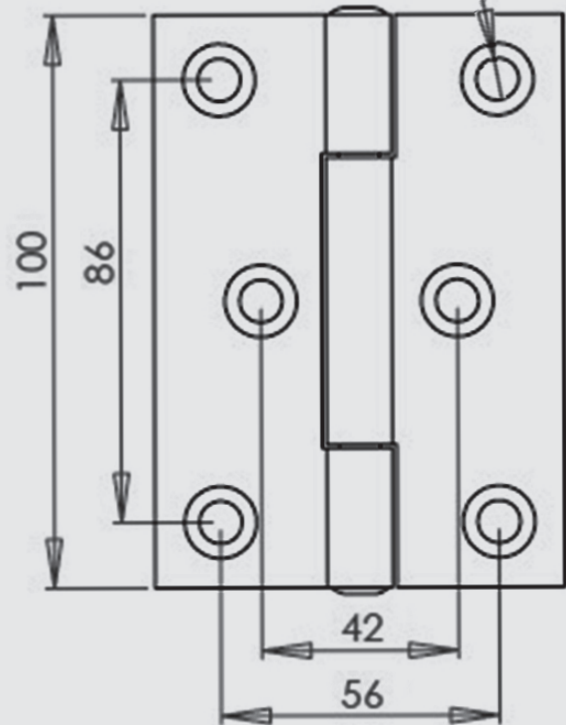


Size : 1/1

CL.482
(100 x 70)



6 countersunk holes
for screw M4



Size : 2/3

MATERIAL	FINISH	FIXING	REFERENCES	kg/100
Steel	white zinc plated	countersunk holes	CL 481 BZI	7,200
Steel	raw	countersunk holes	CL 481 BBR*	7,200
St. steel	raw	countersunk holes	CL 481 BIB	7,280

MATERIAL	FINISH	FIXING	REFERENCES	kg/100
Steel	white zinc plated	countersunk holes	CL 482 BZI	15,200
Steel	raw	countersunk holes	CL 482 BBR*	15,200
St. steel	raw	countersunk holes	CL 482 BIB	15,280

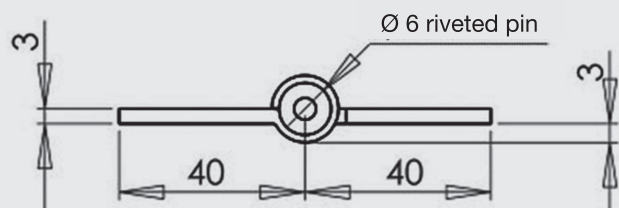
All material and coating on demand.

HINGES

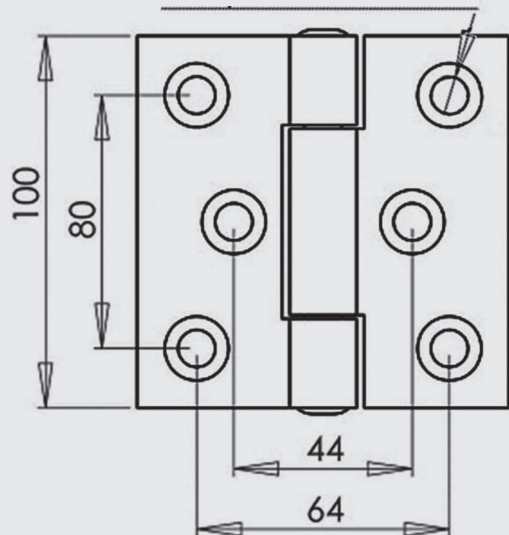


large cabinet hinge

CL.488
(100 x 80)

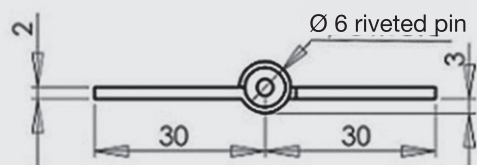


6 countersunk holes
for screw M4

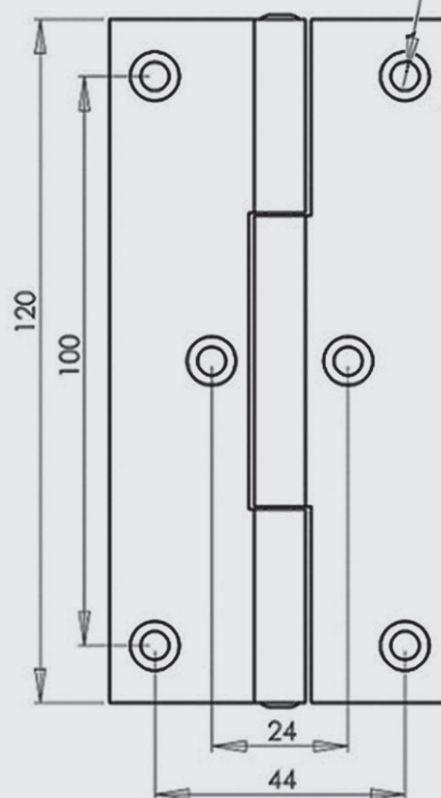


Size : 1/2

CL.489
(120 x 60)



6 countersunk holes
for screw M4



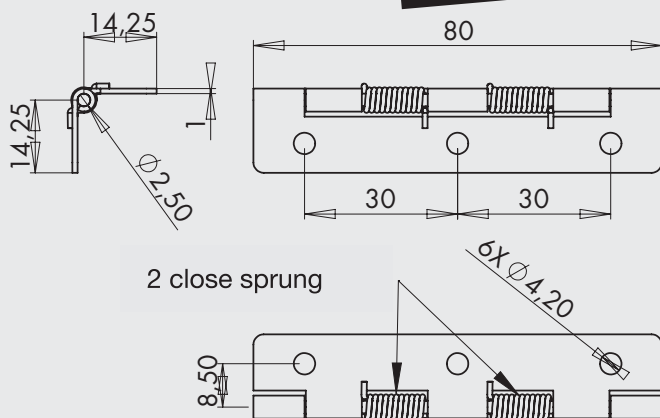
Size : 3/4

MATERIAL	FINISH	FIXING	REFERENCES	kg/100
Steel	white zinc plated	countersunk holes	CL 488 BZI	17,200
Steel	raw	countersunk holes	CL 488 BBR*	17,200
St. steel	raw	countersunk holes	CL 488 BIB	17,300

MATERIAL	FINISH	FIXING	REFERENCES	kg/100
Steel	white zinc plated	countersunk holes	CL 489 BZI	18,800
Steel	raw	countersunk holes	CL 489 BBR*	18,800
St. steel	raw	countersunk holes	CL 489 BIB	19,100

All material and coating on demand.

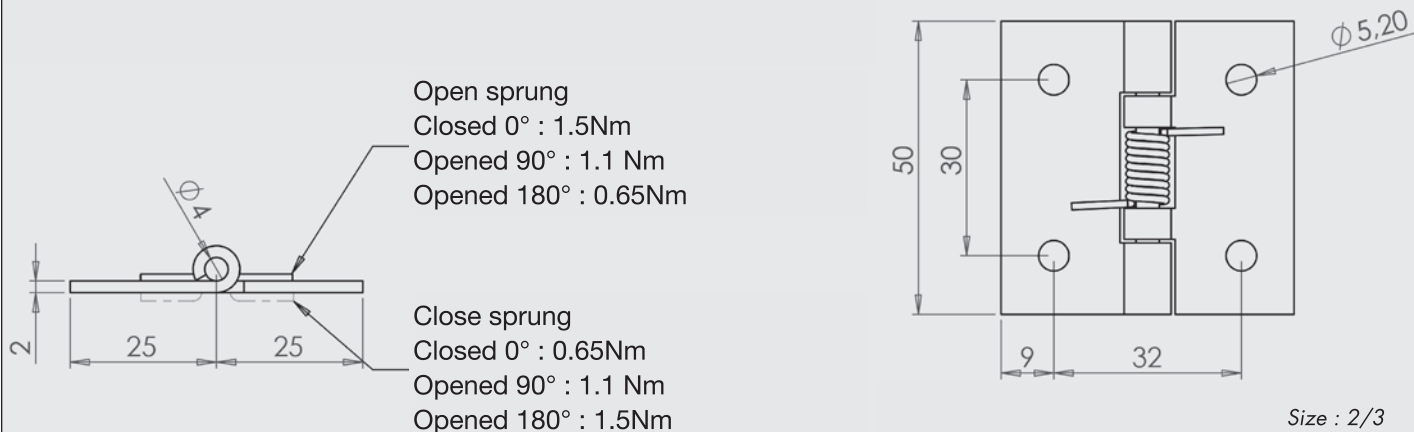
CC.473 (80 x 28,5)



Size : 2/3

MATERIAL	FINISH	FIXING	REFERENCES	kg/100
Steel	raw	with holes	CC.473-BR*	2,200
Steel	white zinc plated	with holes	CC.473-ZI	2,200
Steel	yellow zinc plated	with holes	CC.473-ZB*	2,200
St. steel A2	raw	with holes	CC.473-IB*	2,400

CC.1422 (50 x 50)



Size : 2/3

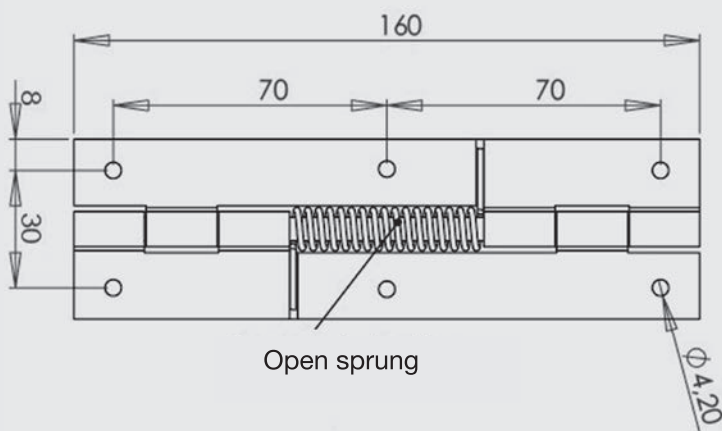
MATERIAL	FINISH	FIXING	SPRING	REFERENCE	kg/100
Steel	raw	with holes	To open	CC 1422 BR*	4,800
Steel	white zinc plated	with holes	To open	CC 1422 ZI	4,800
Steel	yellow zinc plated	with holes	To open	CC 1422 ZB*	4,800
St. steel A2	raw	with holes	To open	CC 1422 IB	4,900
Steel	raw	with holes	To close	CC 1422 EBR*	4,800
Steel	white zinc plated	with holes	To close	CC 1422 EZI	4,800
Steel	yellow zinc plated	with holes	To close	CC 1422 EZB*	4,800
St. steel A2	raw	with holes	To close	CC 1422 EIB	4,900

HINGES



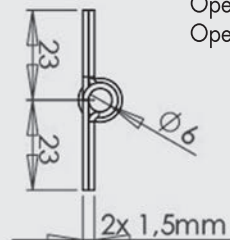
Spring hinges

CC.1474
(160 x 46)



Open sprung
Closed 0° : 0.65 Nm
Opened 90° : 0.85 Nm
Opened 180° : 1 Nm

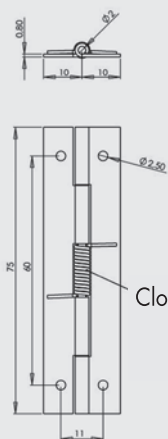
Open sprung
Closed 0° : 1 Nm
Opened 90° : 0.85 Nm
Opened 180° : 0.65 Nm



Size : 1/2

MATERIAL	FINISH	FIXING	SPRING	REFERENCES	kg/100
Steel	raw	with holes	To open	CC 1474 BR	20,800
Steel	white zinc plated	with holes	To open	CC 1474 ZI*	20,800
St. steel A2	raw	with holes	To open	CC 1474 IB	21,200
Steel	raw	with holes	To close	CC 1474 EBR	20,800
Steel	white zinc plated	with holes	To close	CC 1474 EZI*	20,800
St. steel A2	raw	with holes	To close	CC 1474 EIB	21,200

CC.1475
(75 x 20)



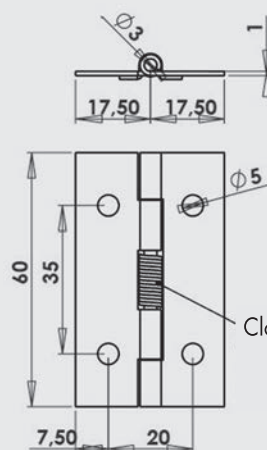
Open sprung
Closed 0° : 0.12 Nm
Opened 90° : 0.09 Nm
Opened 180° : 0.06 Nm

Closed sprung

Size : 1/3

MATERIAL	FINISH	FIXING	SPRING	REFERENCES	kg/100
Steel	raw	with holes	To open	CC 1475 BR	1,150
Steel	white zinc plated	with holes	To open	CC 1475 ZI*	1,150
St. steel A2	raw	with holes	To open	CC 1475 IB	1,150

CC.1476
(60 x 35)



Close sprung
Closed 0° : 0.05 Nm
Opened 90° : 0.07 Nm
Opened 180° : 0.09 Nm

Closed sprung

Size : 1/2

MATERIAL	FINISH	FIXING	SPRING	REFERENCES	kg/100
Steel	raw	with holes	To close	CC 1476 BR	2,200
Steel	white zinc plated	with holes	To close	CC 1476 ZI*	2,200
St. steel A2	raw	with holes	To close	CC 1476 IB	2,200

C6



20

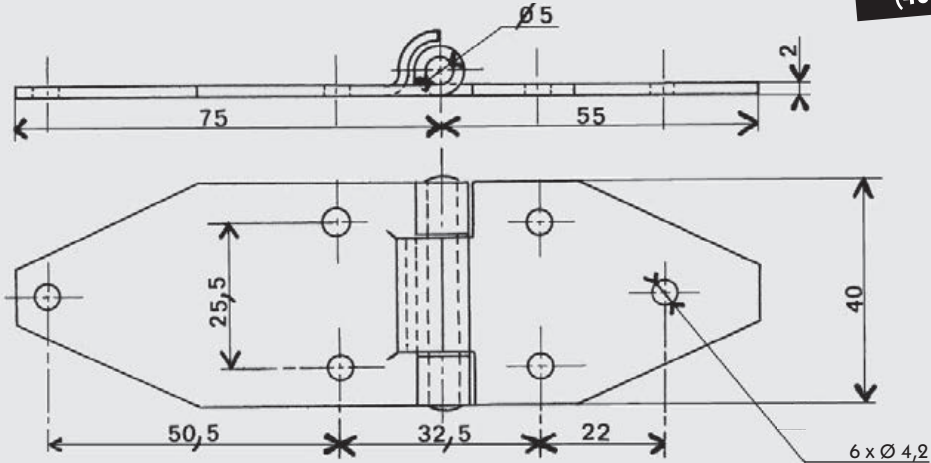
* References only produced on order

HINGES



Limited movement hinges

CA.417
(40 x 75 x 55)



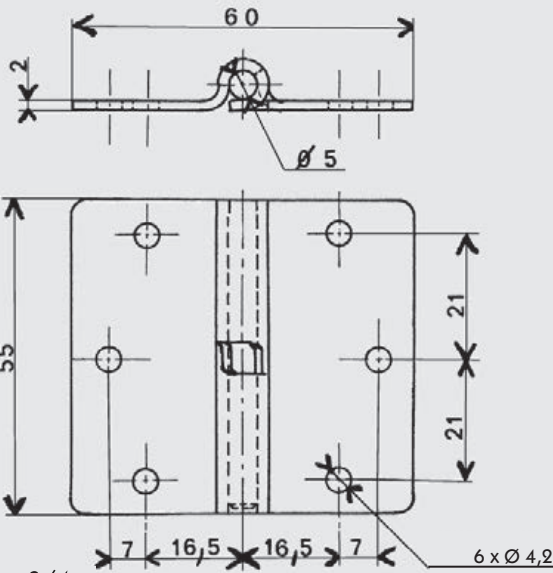
Size : 1/1

Description :

- Stop about 92°

MATERIAL AND FINISH	REFERENCES	kg/100
Steel raw	CA.417-BR*	7,000
Steel white zinc plated	CA.417-ZI	7,000
Steel yellow zinc plated	CA.417-ZB*	7,000
St. steel A2 raw	CA.417-IB*	7,000

CA.427
(55 x 60)



Size : 3/4

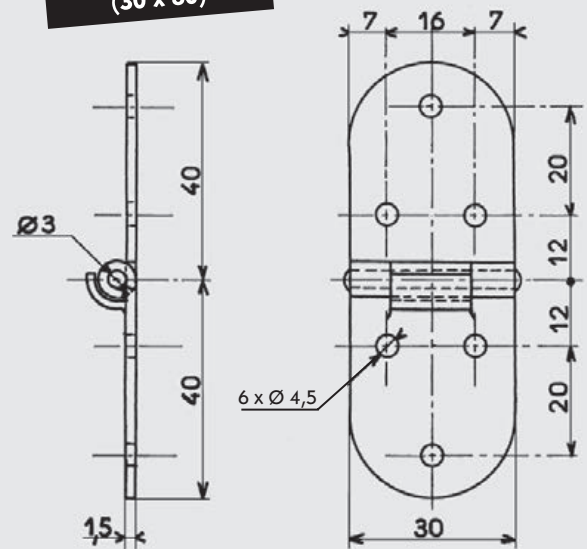
MATERIAL AND FINISH	REFERENCES	kg/100
Steel white zinc plated	CA.427-ZI	7,000
Steel yellow zinc plated	CA.427-ZB*	7,000
St. steel A2	CA.427-IP*	7,000

Description :

- Stop about 92°

* References only produced on order

CA.408
(30 x 80)



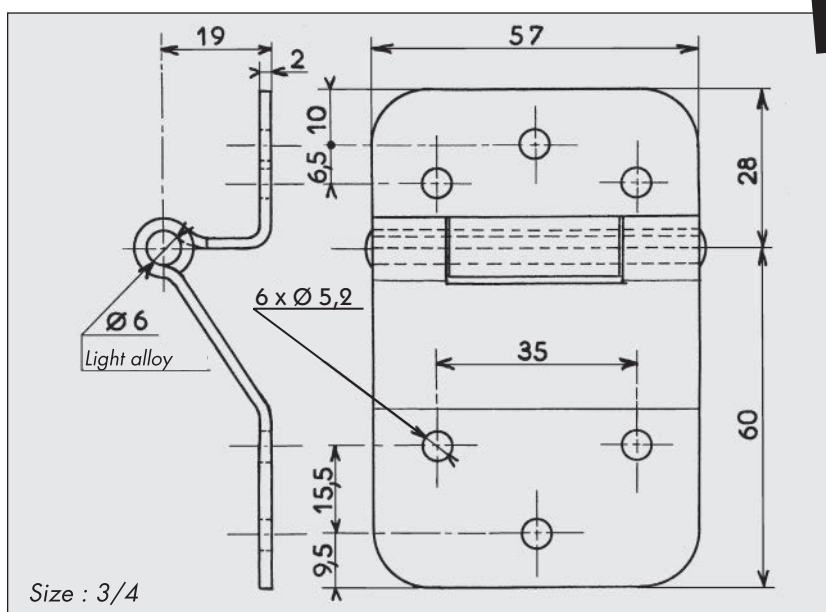
Size : 3/4

MATERIAL AND FINISH	WITHOUT HOLE	6 HOLES
Steel raw	CA.408A-BR*	CA.408-BR
Steel white zinc plated		CA.408-ZI
Steel yellow zinc plated		CA.408-ZB*
St. steel A2	CA.408A-IB*	CA.408-IB
kg/100	3,390	3,300

Description :

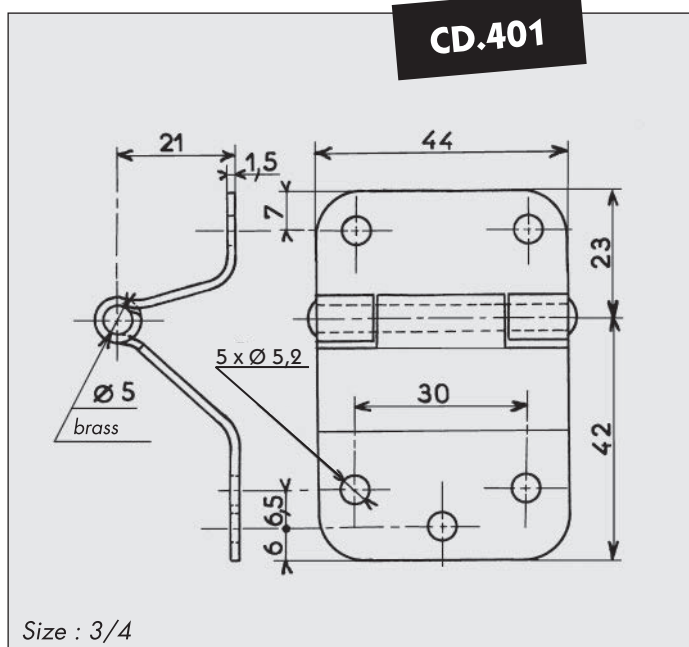
- Stop about 92°

CD.400



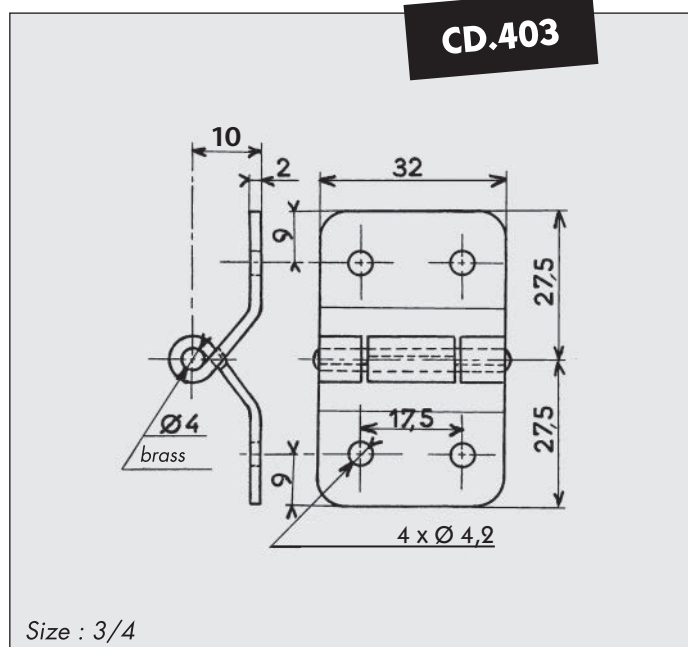
MATERIAL	FINISH	FIXING	REFERENCES	kg/100
Steel	raw	with holes	CD.400-BR*	11,000
Steel	raw	without hole	CD.400A-BR*	11,190
Steel	white zinc plated	with holes	CD.400-ZI	11,000
Inox A2	raw	with holes	CD.400-IB*	11,000

CD.401



MATERIAL	FINISH	FIXING	REFERENCES	kg/100
Steel	raw	with holes	CD.401-BR*	5,000
Steel	raw	without hole	CD.401A-BR*	5,120
Steel	white zinc plated	with holes	CD.401-ZI	5,000
Inox A2	raw	with holes	CD.401-IB*	5,000

CD.403

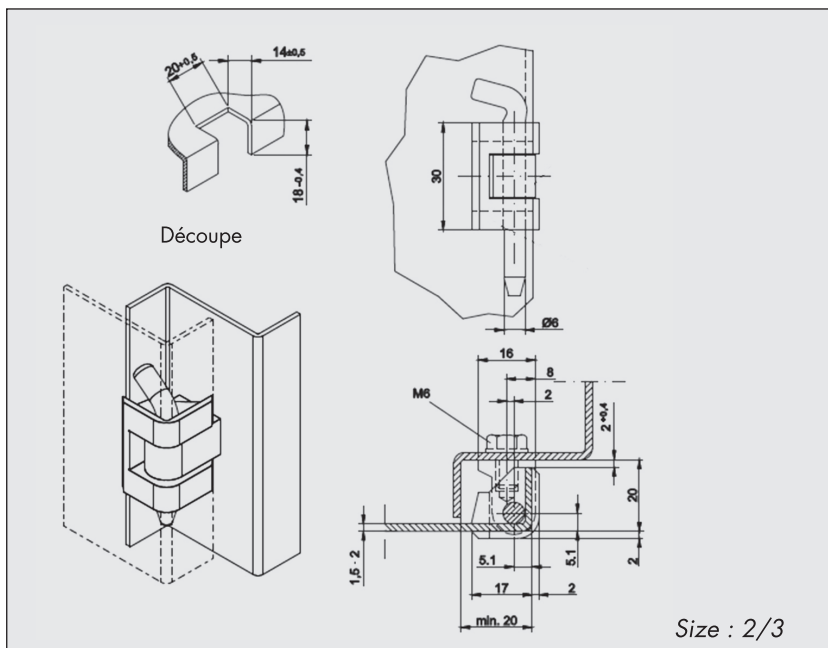


MATERIAL	FINISH	FIXING	REFERENCES	kg/100
Steel	raw	with holes	CD.403-BR*	3,500
Steel	raw	without hole	CD.403A-BR*	3,560
Steel	white zinc plated	with holes	CD.403-ZI	3,500
Inox A2	raw	with holes	CD.403-IB*	3,500

CI.30



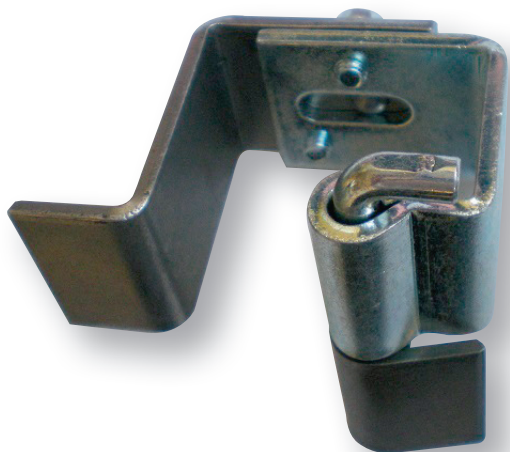
full size



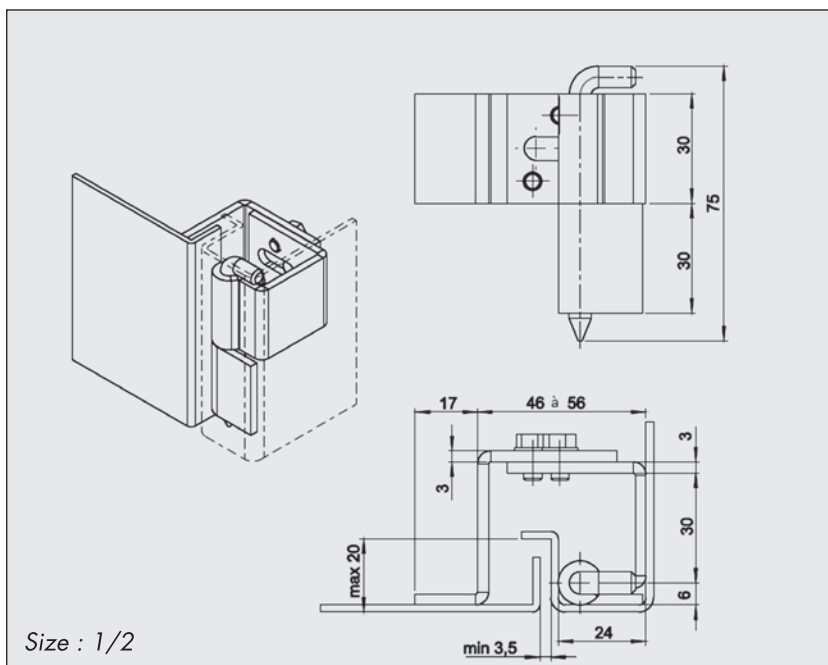
Size : 2/3

MATERIAL	FINISH	FIXING	REFERENCES	MATERIAL axe
Die cast	Black coating	with holes	CI 30 PN	Zinc Steel

CI.466



full size



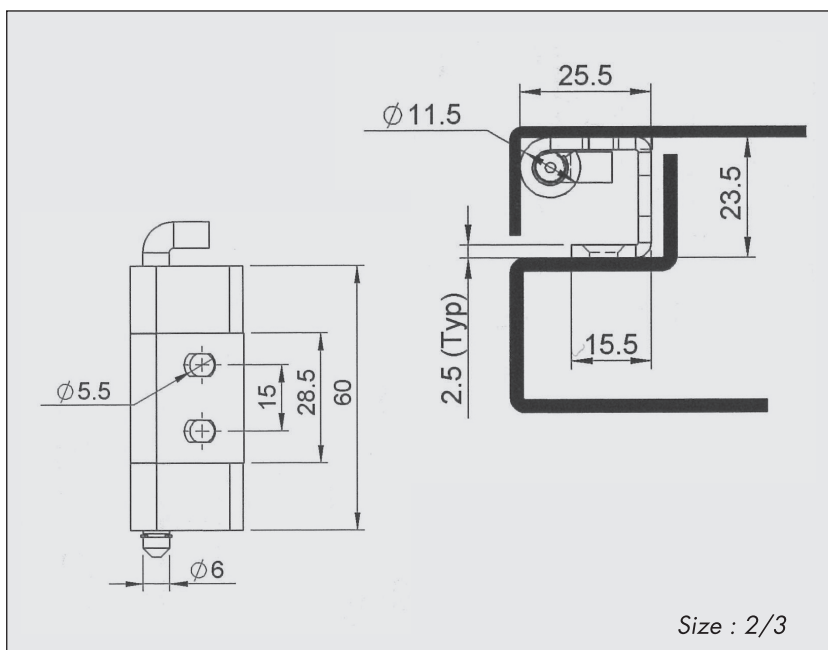
Size : 1/2

MATERIAL	FINISH	FIXING	REFERENCES	kg/100
Steel	white zinc plated+ raw	without hole	CI 466 ZI	18,500
St. steel A2	raw	without hole	CC 466 IB	18,500

CI.60



full size



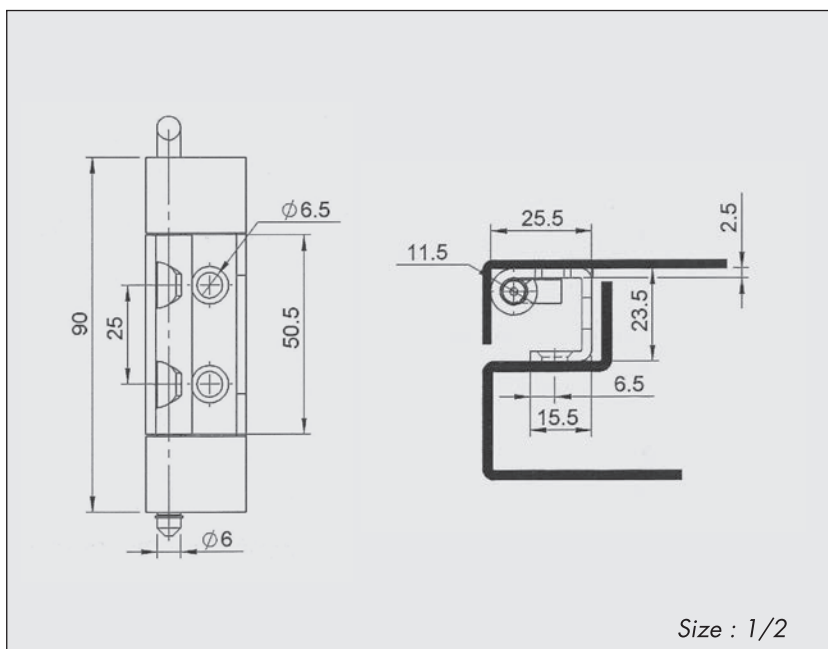
Size : 2/3

MATERIAL	FINISH	FIXING	REFERENCES	kg/100
Steel	white zinc plated	with holes	CI 60 ZI	9,3
St. steel A2	raw	with holes	CI 60 IB*	9,3

CI.90



full size



Size : 1/2

MATERIAL	FINISH	FIXING	REFERENCES	kg/100
Steel	white zinc plated	with holes	CI 90 ZI	13,3
St. steel A2	raw	with holes	CI 90 IB*	13,3

HINGES

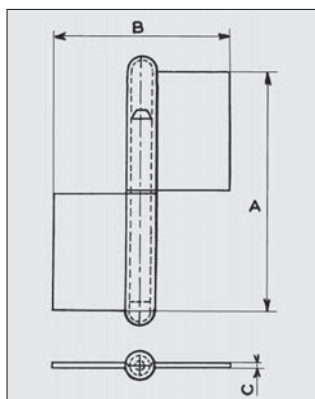


Lift off hinges

CF.450 to CF.454

Description :

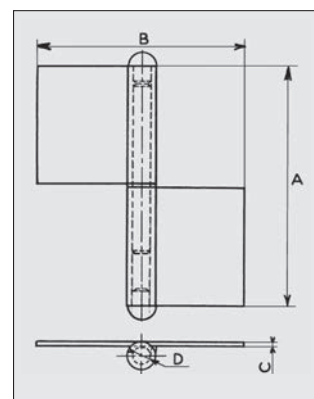
- Brass washer
- Steel pin Ø6mm
- Drilled options



CF.460 (On request)

Description :

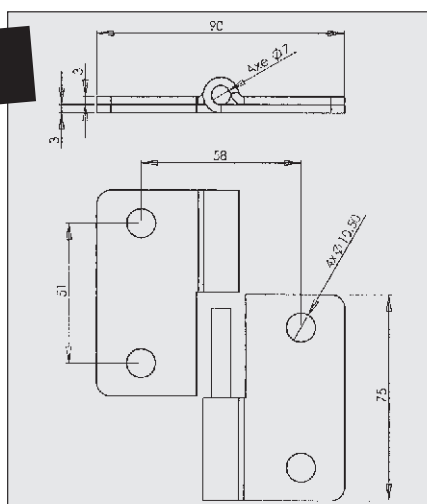
- All sizes on demand
- All material
- All drilled
- A and B on demand
- With or without washer
- ...



A/mm	B/mm	G/mm	MATERIAL	REFERENCES	kg/100
60	50	1,5	Steel raw NP	CF.450-ABR*	4,300
70	50	1,5	Steel raw NP	CF.451-ABR*	4,800
80	50	1,5	Steel raw NP	CF.452-ABR*	5,400
90	50	1,5	Steel raw NP	CF.453-ABR*	5,900
100	50	1,5	Steel raw NP	CF.454-ABR*	6,500

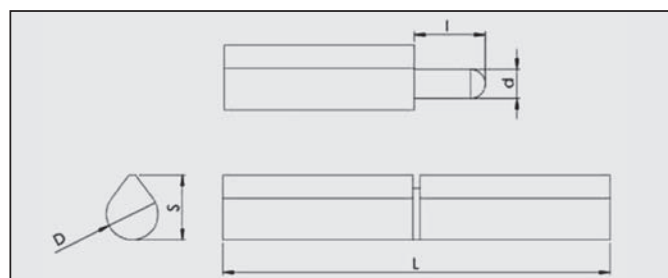
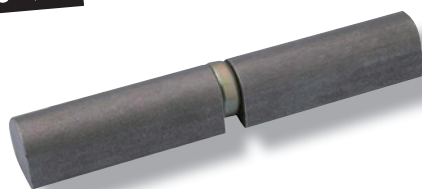
A/mm	B/mm	G/mm	D/mm	REFERENCES
On request	On request	1,5	4	CF.460/001540*
		1,5	5	CF.460/001550*
		1,5	6	CF.460/001560*
		2	4	CF.460/002040*
		2	5	CF.460/002050*
		2	6	CF.460/002060*
		2,5	5	CF.460/002550*
		2,5	6	CF.460/002560*

CF.456 (double leaves)



MATERIAL	FINISH	FIXING	REFERENCES	kg/100
Steel	raw	with holes	CF.456-BR*	32,500
Steel	raw	without hole	CF.456-ABR*	34,000
Steel	white zinc plated	with holes	CF.456-ZI*	32,500
Steel	yellow zinc plated	with holes	CF.456-ZB	32,500
St. steel A2	raw	with holes	CF.456-IB*	32,500
St. steel A2	raw	without hole	CF.456-AIB*	34,000

CFS (welded lift off hinges)



L (mm)	D (mm)	S (mm)	l (mm)	d (mm)	STEEL REFERENCE	ligh alloy REFERENCE	St. steel A2 REFERENCE	St. steel A4 REFERENCE
45	8	10	15	5	CFS.45-ABR*	CFS.45-AAL*	CFS.45-AIB*	CFS.45-AIS*
60	10	12	19,5	6	CFS.60-ABR	CFS.60-AAL*	CFS.60-AIB	CFS.60-AIS*
80	13	16	23	7	CFS.80-ABR	CFS.80-AAL	CFS.80-AIB	CFS.80-AIS*
100	16	20	27	9	CFS.100-ABR	CFS.100-AAL	CFS.100-AIB	CFS.100-AIS*
120	16	20	27	9	CFS.120-ABR	CFS.120-AAL	CFS.120-AIB	CFS.120-AIS*
140	20	25,3	34	11	CFS.140-ABR*	CFS.140-AAL*	CFS.140-AIB*	CFS.140-AIS*
160	20	25,3	43	12	CFS.160-ABR*	CFS.160-AAL*	CFS.160-AIB*	CFS.160-AIS*
180	20	25,3	53	13	CFS.180-ABR*	CFS.180-AAL*	CFS.180-AIB*	CFS.180-AIS*
200	23	29	58	16	CFS.200-ABR*	CFS.200-AAL*	CFS.200-AIB*	CFS.200-AIS*

Inclus rondelle laiton

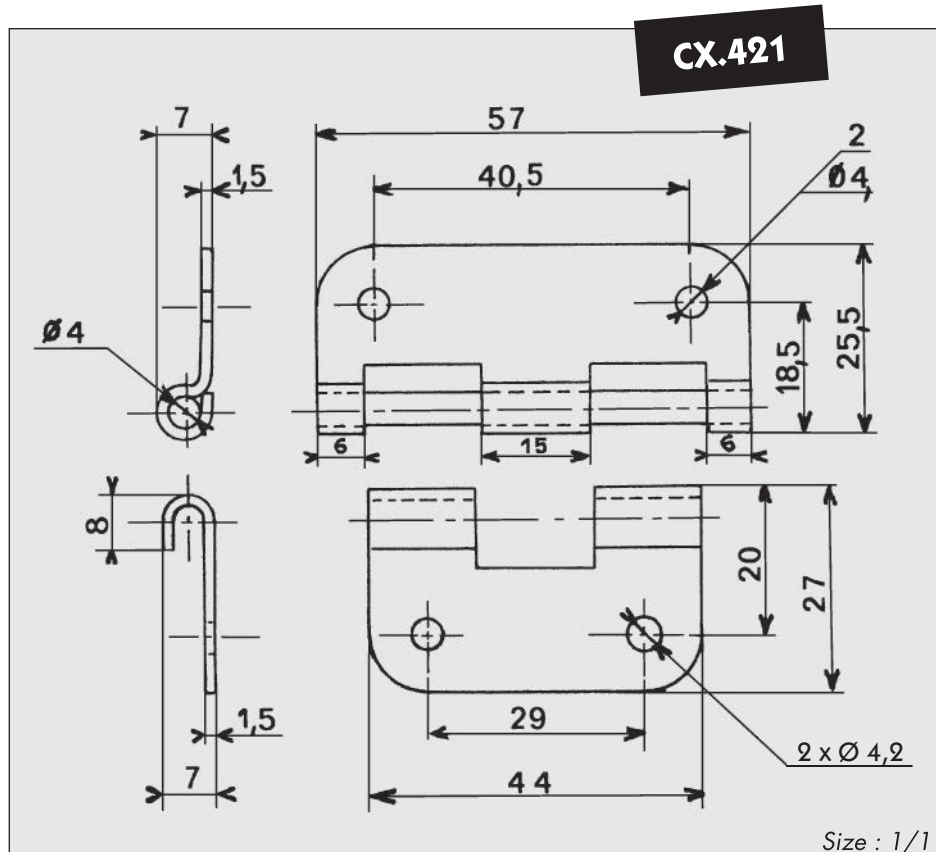
HINGES



Lift off hinges

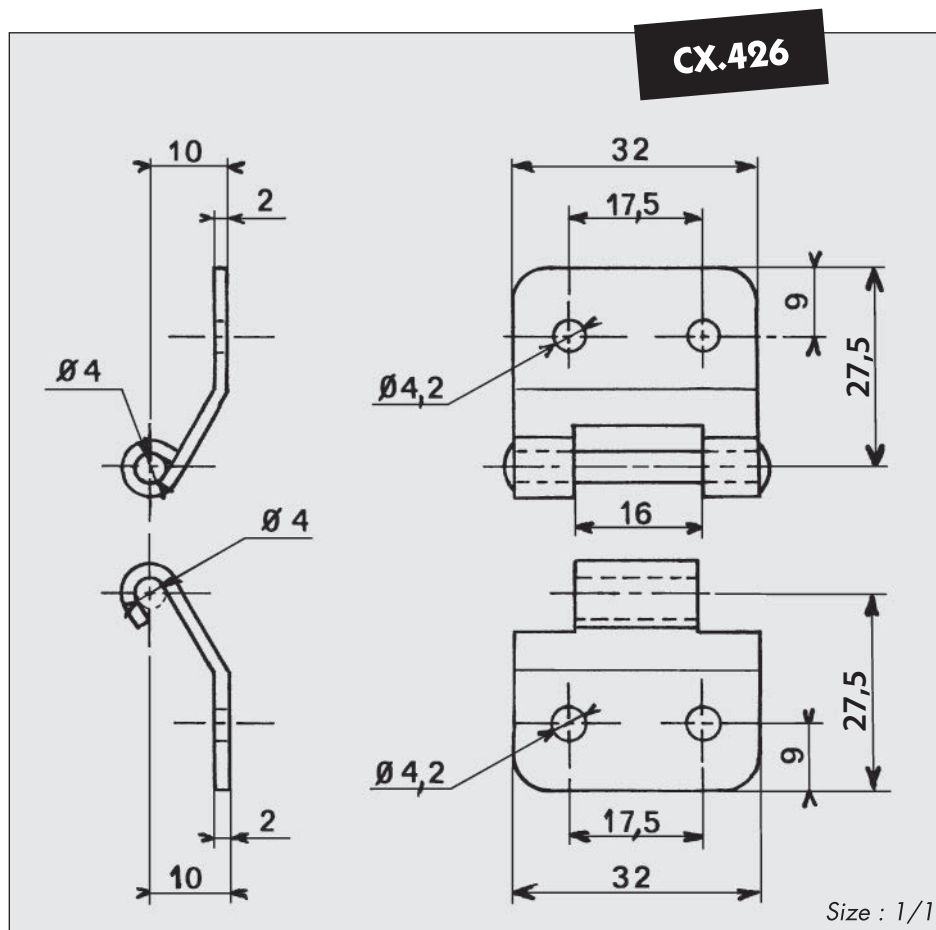
MATERIAL	FINISH	FIXING	REFERENCES	kg/100
Steel	raw	with holes	CX.421-ABR*	3,700
Steel	white zinc coating	4 holes	CX.421-ZI	3,600
Steel	yellow zinc coating	4 holes	CX.421-ZB*	3,600
Steel	chrome plated	4 holes	CX.421-CH*	3,600
St. steel A2	raw	4 holes	CX.421-IB	3,600
St. steel A2	polished	4 holes	CX.421-IP*	3,600

All material and coating on demand.



MATERIAL	FINISH	FIXING	REFERENCES	kg/100
Steel	raw	with holes	CX.426-ABR*	3,584
Steel	white zinc coating	4 holes	CX.426-ZI*	3,540
Steel	yellow zinc coating	4 holes	CX.426-ZB*	3,540
Steel	chrome plated	4 holes	CX.426-CH*	3,540
St. steel A2	raw	4 holes	CX.426-IB*	3,540
St. steel A2	polished	4 holes	CX.426-IP*	3,540

All material and coating on demand.

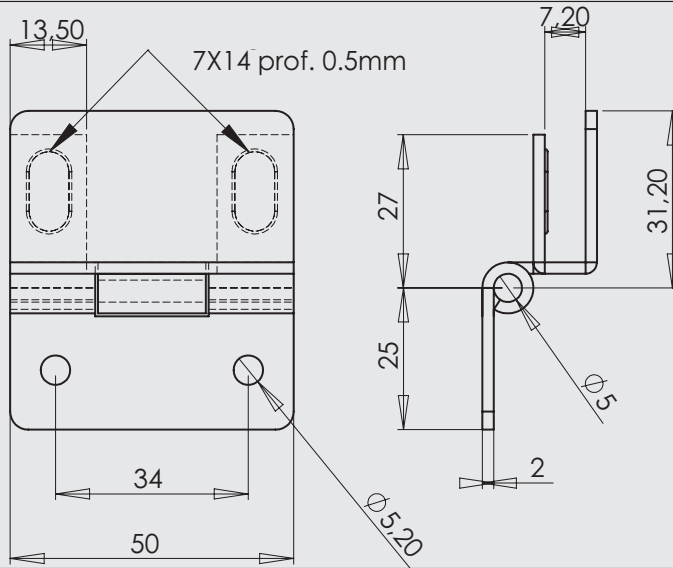


HINGES



Specific hinges

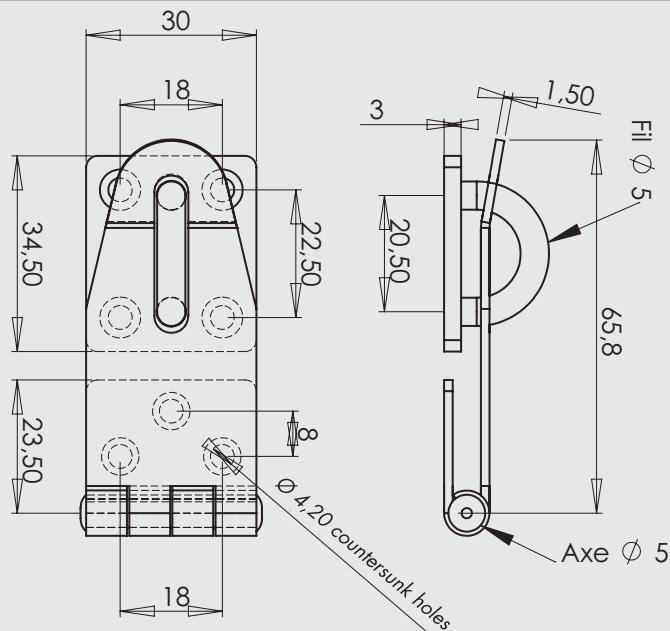
CX.455 Glass hinge



Size : 3/4

MATERIAL	FINISH	FIXING	REFERENCES	kg/100
Steel	raw	with holes	CX.455-BR*	7,200
Steel	white zinc plated	with holes	CX.455-ZI*	7,200
Steel	yellow zinc plated	with holes	CX.455-ZB*	7,200
St. steel A2	raw	with holes	CX.455-IB*	7,400

CX.472 Padlock hasp hinge



Size : 3/4

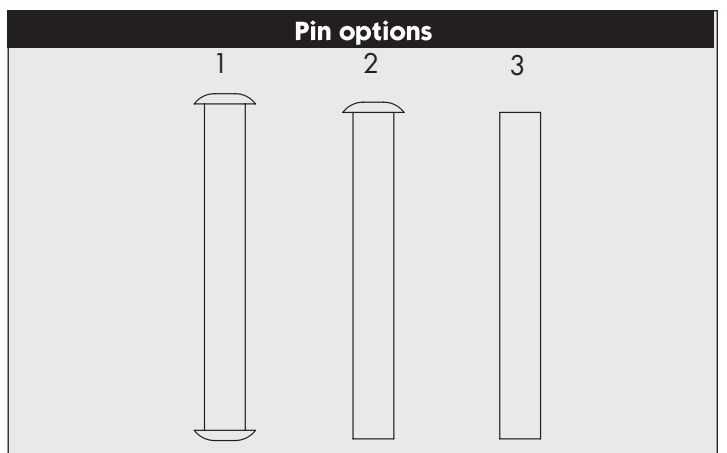
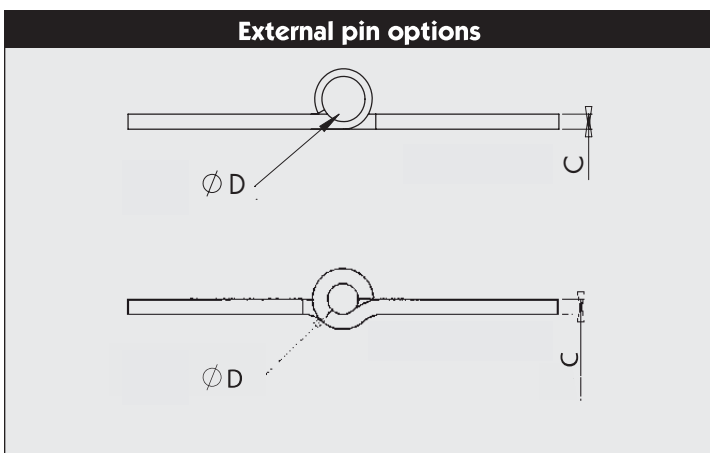
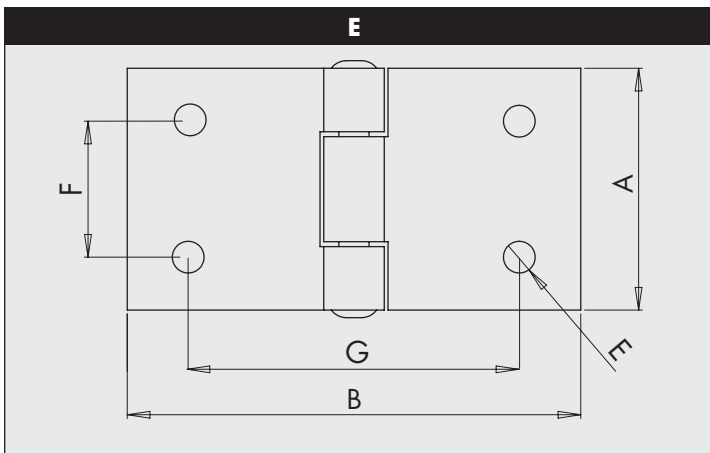
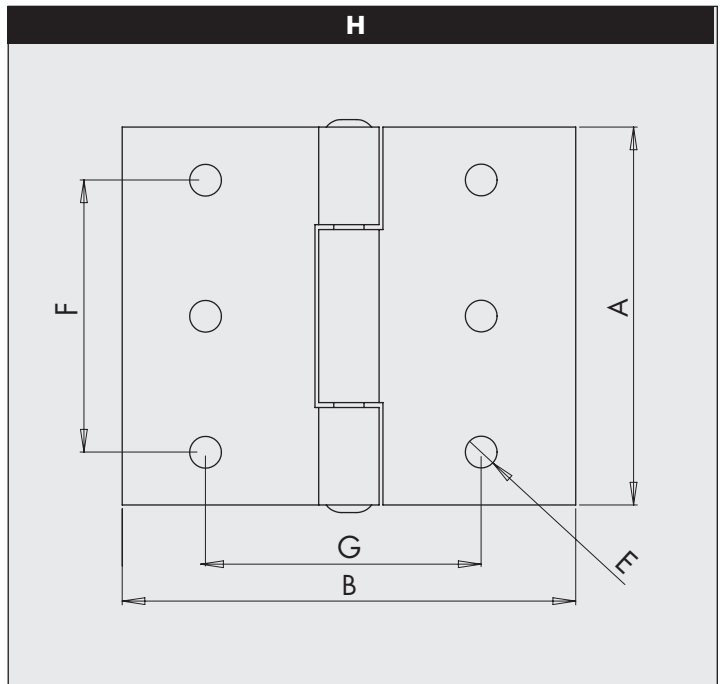
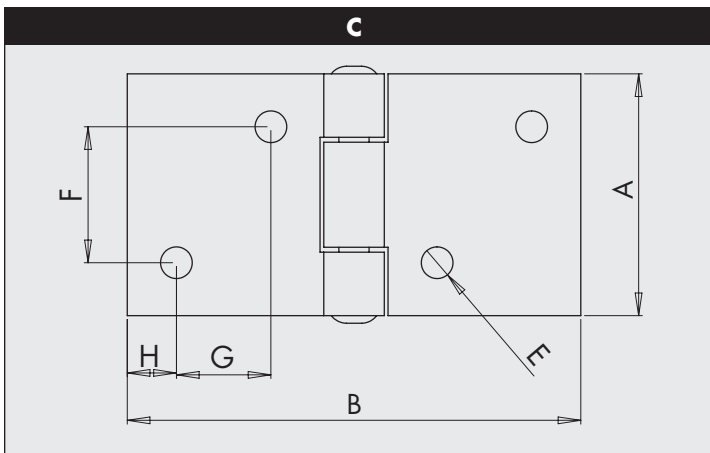
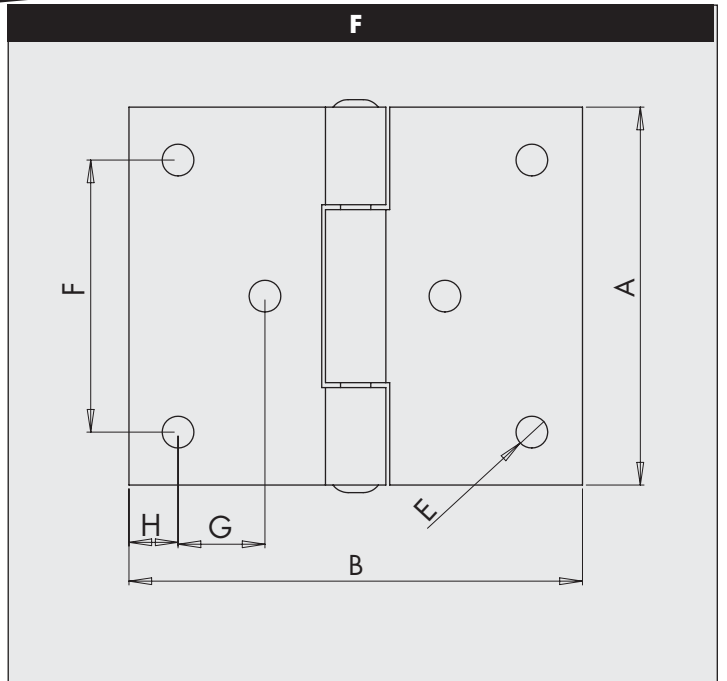
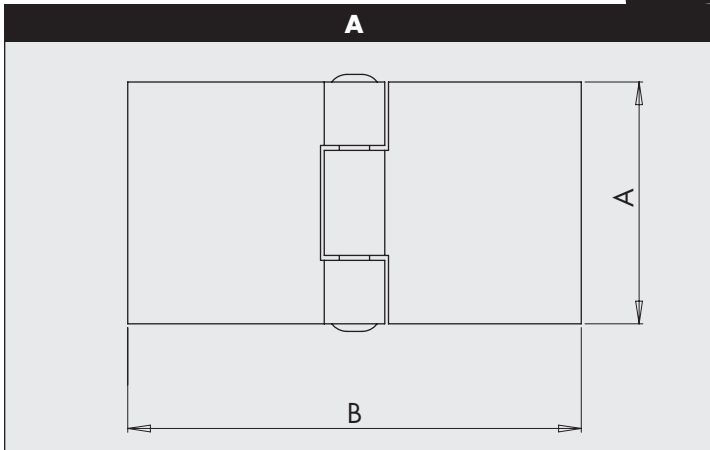
MATERIAL	FINISH	FIXING	REFERENCES HINGES	kg/100	REFERENCES PONTET	kg/100
Steel	raw	with holes	CX.472-BR*	3,200	CX.472-EBR*	2,500
Steel	white zinc plated	with holes	CX.472-ZI*	3,200	CX.472-EZI*	2,500
Steel	yellow zinc plated	with holes	CX.472-ZB*	3,200	CX.472-EZB*	2,500
St. steel A2	raw	with holes	CX.472-IB*	3,400	CX.472-EIB*	2,600
St. steel A2	polissage bille	with holes	CX.472-IP	3,400	CX.472-EIP*	2,600

HINGES



Specific cabinet hinge

CC.410



HINGES



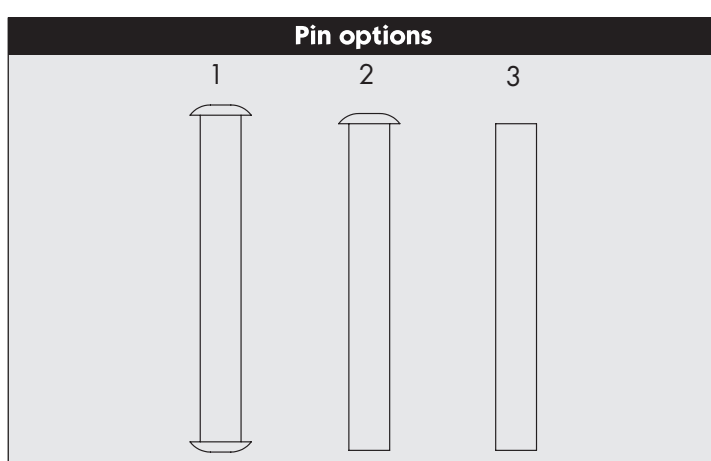
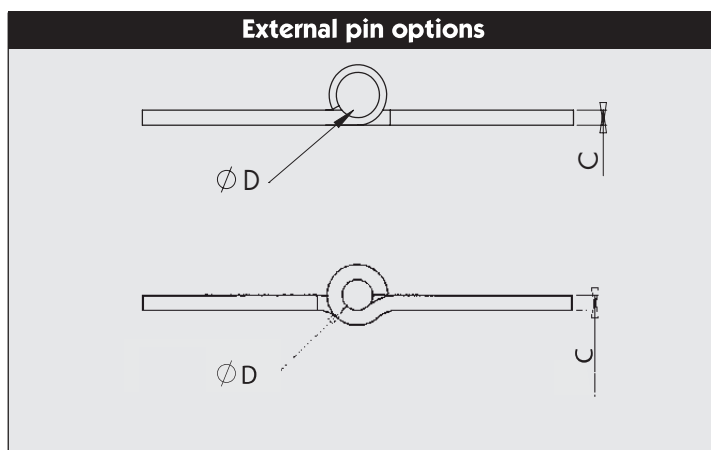
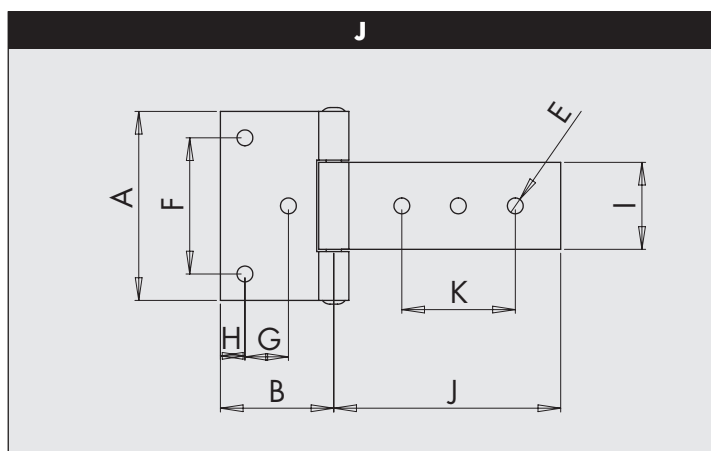
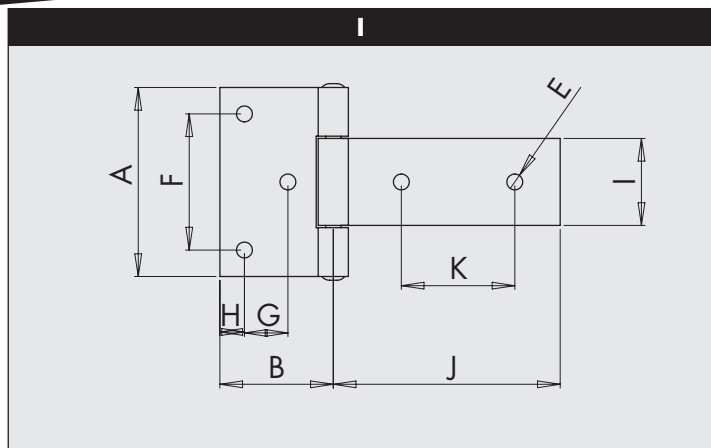
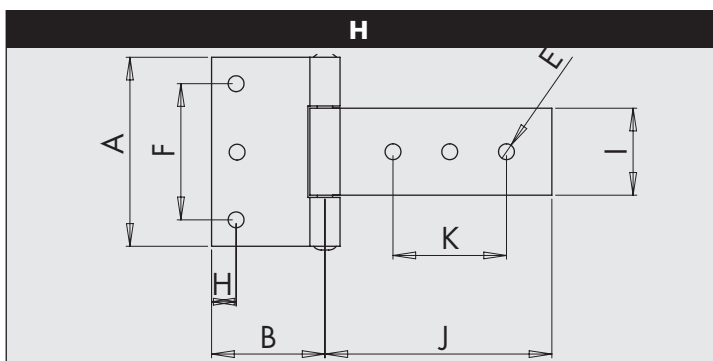
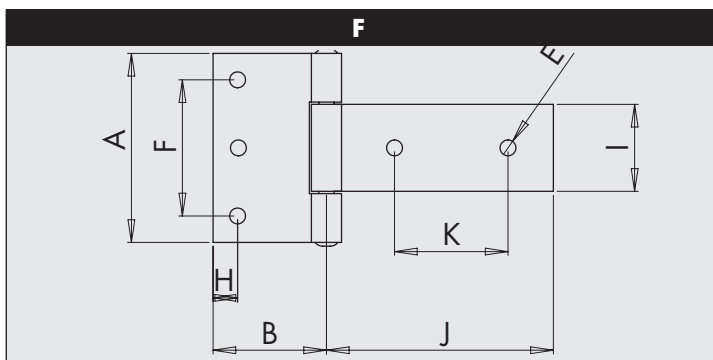
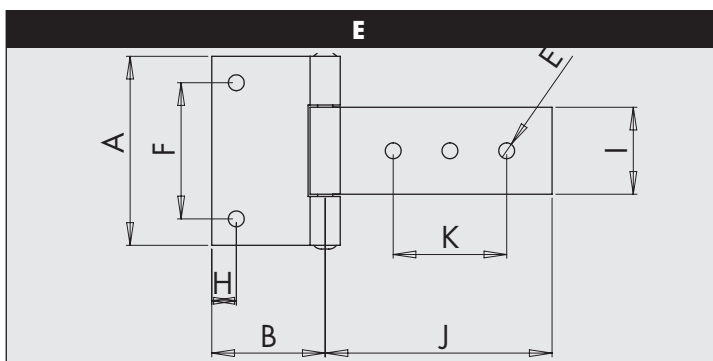
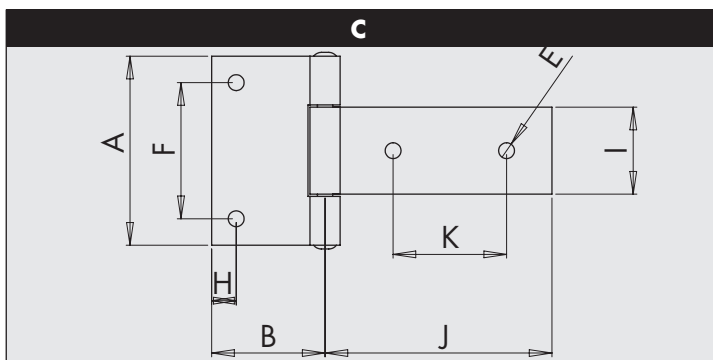
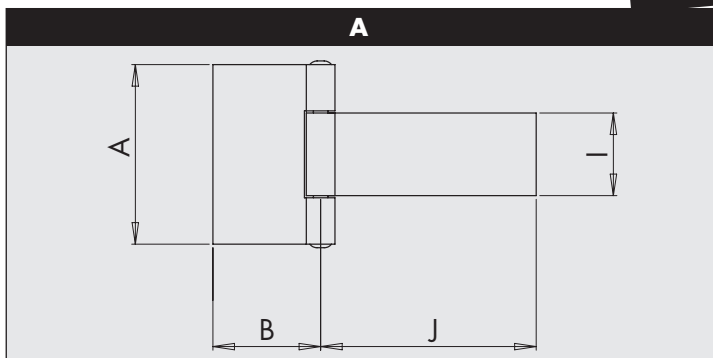
Specific cabinet hinge

CC.410

MATERIAL	FINISH	A	B	C	D	E	F	G	H	DRILLED OPTIONS	PIN OPTIONS	EXTERNAL PIN OPTIONS
Steel St. steel A2 Alu	raw yellow zinc plated white zinc plated	40 at 80	On request	1,5	4	On request	On request	On request	On request	A/C/E/F/H	1/2/3	chose on drawing
Steel St. steel A2 Alu	raw yellow zinc plated white zinc plated	25 at 75	On request	2	4	On request	On request	On request	On request	A/C/E/F/H	1/2/3	chose on drawing
Steel St. steel A2 Alu	raw yellow zinc plated white zinc plated	40 at 80	On request	2	5	On request	On request	On request	On request	A/C/E/F/H	1/2/3	chose on drawing
Steel St. steel A2 Alu	raw yellow zinc plated white zinc plated	40 at 80	On request	2,5	5	On request	On request	On request	On request	A/C/E/F/H	1/2/3	chose on drawing
Steel St. steel A2 Alu	raw yellow zinc plated white zinc plated	40 at 80	On request	2,5	6	On request	On request	On request	On request	A/C/E/F/H	1/2/3	chose on drawing
Steel St. steel A2 Alu	raw yellow zinc plated white zinc plated	40 at 80	On request	3	6	On request	On request	On request	On request	A/C/E/F/H	1/2/3	chose on drawing
Steel St. steel A2 Alu	raw yellow zinc plated white zinc plated	45 at 115	On request	3	10	On request	On request	On request	On request	A/C/E/F/H	1/2/3	chose on drawing
Steel St. steel A2 Alu	raw yellow zinc plated white zinc plated	45 at 115	On request	5	10	On request	On request	On request	On request	A/C/E/F/H	1/2/3	chose on drawing
Steel St. steel A2 Alu	raw yellow zinc plated white zinc plated	45 at 115	On request	5	12	On request	On request	On request	On request	A/C/E/F/H	1/2/3	chose on drawing

on quotation : cranked, drilled, dimensions, welded screws or nuts...

CC.480



HINGES



Specific cabinet hinge

CC.480

MATERIAL	FINISH	A	B	C	D	E	F	G	H	I	J	K	DRILLED OPTIONS	PIN OPTIONS	EXTERNAL PIN OPTIONS
Steel St. steel A2 Alu	raw yellow zinc plated white zinc plated	40 at 80	On request	1,5	4	On request	On request	On request	On request	On request	On request	On request	A/C/E/F/H/I/J	1/2/3	chose on drawing
Steel St. steel A2 Alu	raw yellow zinc plated white zinc plated	25 at 75	On request	2	4	On request	On request	On request	On request	On request	On request	On request	A/C/E/F/H/I/J	1/2/3	chose on drawing
Steel St. steel A2 Alu	raw yellow zinc plated white zinc plated	40 at 80	On request	2	5	On request	On request	On request	On request	On request	On request	On request	A/C/E/F/H/I/J	1/2/3	chose on drawing
Steel St. steel A2 Alu	raw yellow zinc plated white zinc plated	40 at 80	On request	2,5	5	On request	On request	On request	On request	On request	On request	On request	A/C/E/F/H/I/J	1/2/3	chose on drawing
Steel St. steel A2 Alu	raw yellow zinc plated white zinc plated	40 at 80	On request	2,5	6	On request	On request	On request	On request	On request	On request	On request	A/C/E/F/H/I/J	1/2/3	chose on drawing
Steel St. steel A2 Alu	raw yellow zinc plated white zinc plated	40 at 80	On request	3	6	On request	On request	On request	On request	On request	On request	On request	A/C/E/F/H/I/J	1/2/3	chose on drawing
Steel St. steel A2 Alu	raw yellow zinc plated white zinc plated	45 at 115	On request	3	10	On request	On request	On request	On request	On request	On request	On request	A/C/E/F/H/I/J	1/2/3	chose on drawing
Steel St. steel A2 Alu	raw yellow zinc plated white zinc plated	45 at 115	On request	5	10	On request	On request	On request	On request	On request	On request	On request	A/C/E/F/H/I/J	1/2/3	chose on drawing
Steel St. steel A2 Alu	raw yellow zinc plated white zinc plated	45 at 115	On request	5	12	On request	On request	On request	On request	On request	On request	On request	A/C/E/F/H/I/J	1/2/3	chose on drawing

On quotation : cranked, drilled, dimensions, welded screws or nuts...

C12



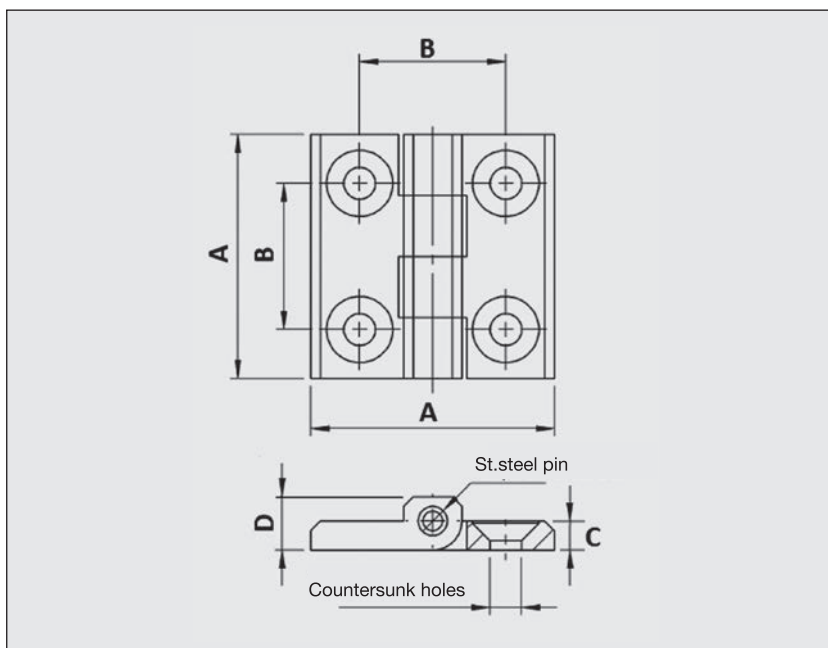
3

0

HINGES



Square screw-on hinges



MATERIAL Polyamid : PO

A	B	C	D	DRILLED FOR SCREWS	∅ pin	FINISH	REFERENCES
25	15	3	6,5	M3	3	Black	CM 25 PO
25	15	3	6,5	M4	3	Black	CM 30 PO
40	25	5	9	M5	4	Black	CM 40 PO
50	30	6	11,5	M6	6	Black	CM 50 PO
60	36	6	15	M8	8	Black	CM 60 PO

MATERIAL die cast : PN ou CH

A	B	C	D	DRILLED FOR SCREWS	∅ pin	FINISH	REFERENCES
40	25	5	9	M5	4	Black	CM 40 PN
40	25	5	9	M5	4	chromeplated	CM 40 CH
50	30	6	11,5	M6	6	Black	CM 50 PN
50	30	6	11,5	M6	6	chromeplated	CM 50 CH
60	36	6	15	M8	8	Black	CM 60 PN
60	36	6	15	M8	8	chromeplated	CM 60 CH

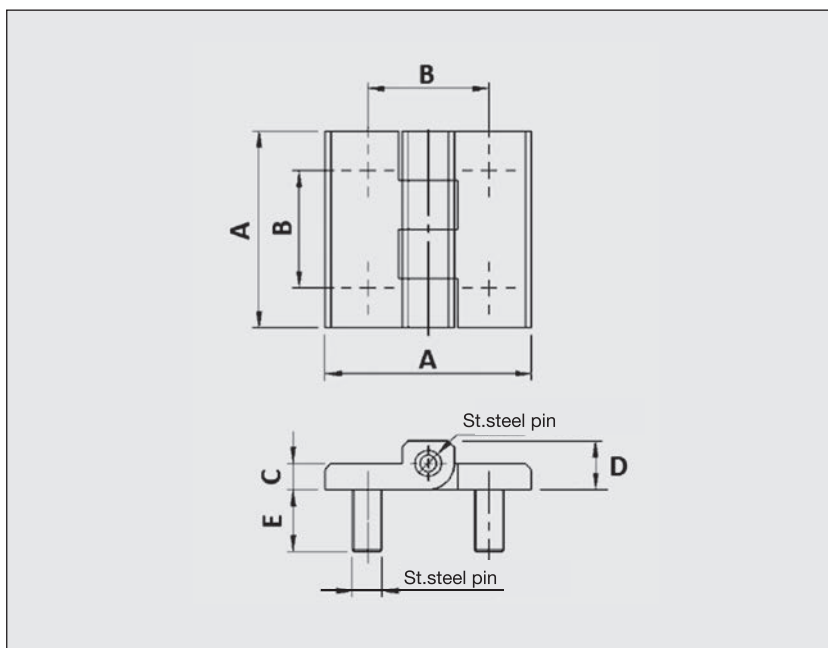
MATERIAL St. steel A2 : IB

A	B	C	D	DRILLED FOR SCREWS	∅ pin	FINISH	REFERENCES
40	25	5	9	M5	4	Raw	CM 40 IB
50	30	6	11,5	M6	6	Raw	CM 50 IB

HINGES



Square screw-on hinges



4 screws hinges

A	B	C	D	E	Ø SCREWS	Ø PIN	MATERIAL	FINISH	REFERENCES
40	25	5	9	12	M5	4	Die cast	Black	CM 40G PN
40	25	5	9	12	M5	4	Die cast	chromeplated	CM 40G CH*
50	30	6	11,5	17	M6	6	Polyamid	Black	CM 50G PO
50	30	6	11,5	17	M6	6	Die cast	Black	CM 50G PN
50	30	6	11,5	17	M6	6	Die cast	chromeplated	CM 50G CH*
60	36	6	15	19	M8	8	Die cast	Black	CM 60G PN
60	36	6	15	19	M8	8	Die cast	chromeplated	CM 60G CH*

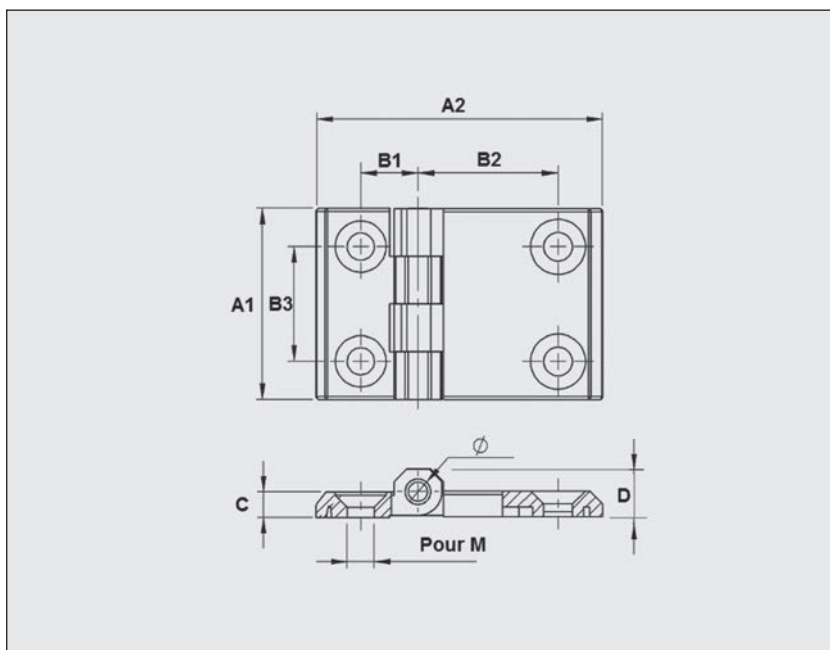
2 screws / 2 holes hinges

A	B	C	D	E	Ø SCREWS	DRILLED FOR SCREWS	Ø PIN	FINISH	MATERIAL	REFERENCES
40	25	5	9	11	2xM5	2xM5	4	Die cast	Black	CM 40G2 PN*
40	25	5	9	11	2xM5	2xM5	4	Die cast	chromeplated	CM 40G2 CH*
50	30	6	11,5	15	2xM6	2xM6	6	Die cast	Black	CM 50G2 PN*
50	30	6	11,5	15	2xM6	2xM6	6	Die cast	chromeplated	CM 50G2 CH*
60	36	6	15	19	2xM8	2xM8	8	Die cast	Black	CM 60G2 PN*
60	36	6	15	19	2xM8	2xM8	8	Die cast	chromeplated	CM 60G2 CH*

HINGES

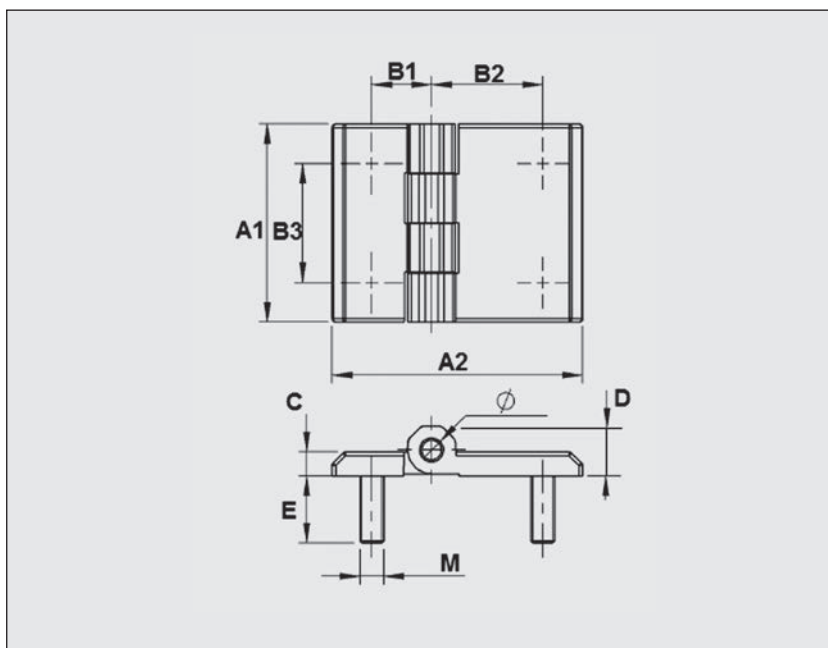


Rectangular screw-on hinges



Rectangular die cast hinges

A1	A2	B1	B2	B3	C	D	DRILLED FOR SCREWS	Ø PIN	FINISH	REFERENCES
50	63	15	28	30	6	11,5	4XM6	6	Black	CM 5063 PN
50	63	15	28	30	6	11,5	4XM6	6	chromeplated	CM 5063 CH*
50	76	27,5	27,5	30	6	11,5	4XM6	6	Black	CM 5076 PN
50	76	27,5	27,5	30	6	11,5	4XM6	6	chromeplated	CM 5076 CH*
50	76	27,5	27,5	30	6	11,5	6xM6	6	Black	CM 5076 EPN
60	76	28	28	36	6	15	4xM6	6	Black	CM 6076 PN
60	76	28	28	36	6	15	4xM6	6	chromeplated	CM 6076 CH*
60	90	18	44	36	8	15	4xM8	8	Black	CM 6090 PN*
60	90	18	44	36	8	15	4xM8	8	chromeplated	CM 6090 CH*
60	90	18	44	36	8	15	5xM8	8	Black	CM 6090 EPN*
60	90	18	44	36	8	15	5xM8	8	chromeplated	CM 6090 ECH*
60	117	45	45	36	8	15	4XM8	8	Black	CM 60117 PN*
60	117	45	45	36	8	15	4XM8	8	chromeplated	CM 60117 CH*
60	117	45	45	36	8	15	6xM8	8	Black	CM 60117 EPN*



4 screws die cast hinges

A1	A2	B1	B2	B3	C	D	L	Ø SCREWS	Ø PIN	FINISH	REFERENCES
50	63	15	28	30	6	11,5	17	M6	6	Black	CM 5063G PN*
50	63	15	28	30	6	11,5	17	M6	6	chromeplated	CM 5063G CH*
50	76	28	28	30	6	11,5	17	M6	6	Black	CM 5076G PN*
50	76	28	28	30	6	11,5	17	M6	6	chromeplated	CM 5076G CH*
60	76	28	28	36	6	15	15	M6	6	Black	CM 6076G PN*
60	76	28	28	36	6	15	15	M6	6	chromeplated	CM 6076G CH*
60	90	18	44	36	8	15	19	M8	8	Black	CM 6090G PN*
60	90	18	44	36	8	15	19	M8	8	chromeplated	CM 6090G CH*
60	117	45	45	36	8	15	19	M8	8	Black	CM 60117G PN*
60	117	45	45	36	8	15	19	M8	8	chromeplated	CM 60117G CH*

2 screws / 2 holes die cast hinges

A1	A2	B1	B2	B3	D	E	Ø SCREWS	DRILLED FOR SCREWS	Ø PIN	FINISH	REFERENCES
50	63	15	28	6	11,5	17	2xM6 on large leaf	2xM6 on small leaf	6	Black	CM 5063G2G PN*
50	63	15	28	6	11,5	17	2xM6 on large leaf	2xM6 on small leaf	6	chromeplated	CM 5063G2G CH*
50	63	15	28	6	11,5	17	2xM6 on small leaf	2xM6 on large leaf	6	Black	CM 5063G2P PN*
50	63	15	28	6	11,5	17	2xM6 on small leaf	2xM6 on large leaf	6	chromeplated	CM 5063G2P CH*
50	76	28	28	6	11,5	17	2xM6 on large leaf	2xM6 on small leaf	6	Black	CM 5076G2G PN*
50	76	28	28	6	11,5	17	2xM6 on large leaf	2xM6 on small leaf	6	chromeplated	CM 5076G2G CH*
50	76	28	28	6	11,5	17	2xM6 on small leaf	2xM6 on large leaf	6	Black	CM 5076G2P PN*
50	76	28	28	6	11,5	17	2xM6 on small leaf	2xM6 on large leaf	6	chromeplated	CM 5076G2P CH*
60	76	28	28	6	15	15	2xM6 on large leaf	2xM6 on small leaf	6	Black	CM 6076G2G PN*
60	76	28	28	6	15	15	2xM6 on large leaf	2xM6 on small leaf	6	chromeplated	CM 6076G2G CH*
60	76	28	28	6	15	15	2xM6 on small leaf	2xM6 on large leaf	6	Black	CM 6076G2P PN*
60	76	28	28	6	15	15	2xM6 on small leaf	2xM6 on large leaf	6	chromeplated	CM 6076G2P CH*
60	117	45	45	8	15	19	2xM8 on large leaf	2xM8 on small leaf	8	Black	CM 60117G2G PN*
60	117	45	45	8	15	19	2xM8 on large leaf	2xM8 on small leaf	8	chromeplated	CM 60117G2G CH*
60	117	45	45	8	15	19	2xM8 on small leaf	2xM8 on large leaf	8	Black	CM 60117G2P PN*
60	117	45	45	8	15	19	2xM8 on small leaf	2xM8 on large leaf	8	chromeplated	CM 60117G2P CH*

LATCHES



Insert latches

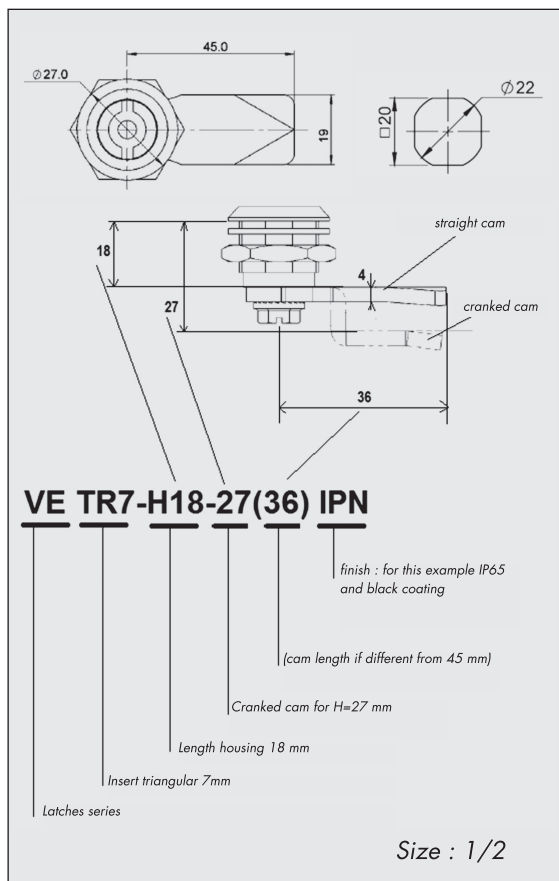
VE H18
Housing H=18 mm



VE H30
Housing H=30 mm



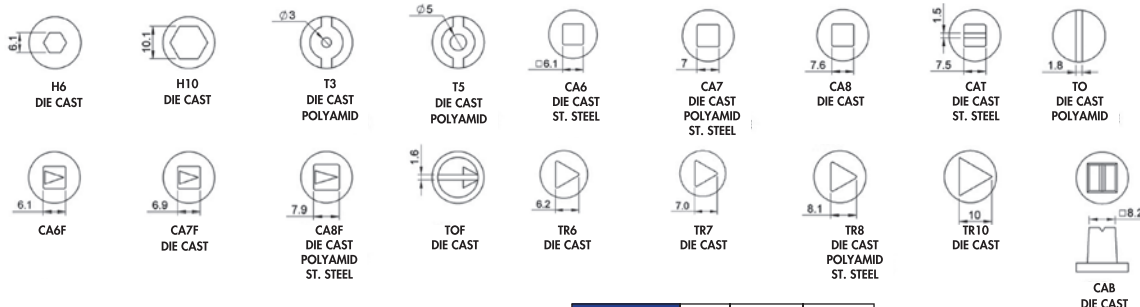
Full size



STAINLESS STEEL - IB			
Finish	Insert	Length housing 18mm	Length housing 30mm
Raw	CA6	VE CA6-H18 IB*	VE CA6-H30 IB*
Raw	CA7	VE CA7-H18 IB	VE CA7-H30 IB
Raw	CA8F	VE CA7-H18 IB*	VE CA8F-H30 IB*
Brut	CAT	VE CAT-H18 IB*	VE CAT-H30 IB*
Raw	TR8	VE TR8-H18 IB	VE TR8-H30 IB

POLYAMID - PO			
Finish	Insert	Length housing 18mm	Length housing 30mm
Black	CA7	VE CA7-H18 PO	VE CA7-H30 PO
Black	CA8F	VE CA7-H18 PO*	VE CA7-H30 PO*
Black	T3	VE T3-H18 PO	VE T3-H30 PO
Black	T5	VE T5-H18 PO	VE T5-H30 PO
Black	TO	VE TO-H18 PO	VE TO-H30 PO
Black	TR8	VE TR8-H18 PO	VE TR8-H30 PO

CHROME PLATED DIE CAST- CH or BLACK - PN			
Finish	Insert	Length housing 18 mm	Length housing 30mm
Chrome plated	CA6	VE CA6-H18 CH*	VE CA6-H30 CH*
Black coating	CA6	VE CA6-H18 PN*	VE CA6-H30 PN*
Chrome plated	CA7	VE CA7-H18 CH	VE CA7-H30 CH
Black coating	CA7	VE CA7-H18 PN	VE CA7-H30 PN
Chrome plated	CA7F	VE CA7F-H18 CH*	VE CA7F-H30 CH*
Black coating	CA7F	VE CA7F-H18 PN*	VE CA7F-H30 PN*
Chrome plated	CA8	VE CA8-H18 CH	VE CA8-H30 CH
Black coating	CA8	VE CA8-H18 PN	VE CA8-H30 PN
Chrome plated	CA8F	VE CA7-H18 CH*	VE CA8F-H30 CH*
Black coating	CA8F	VE CA7-H18 PN*	VE CA8F-H30 PN*
Chrome plated	CAB	VE CAB-H18 CH*	VE CAB-H30 CH*
Black coating	CAB	VE CAB-H18 PN*	VE CAB-H30 PN*
Chrome plated	CAT	VE CAT-H18 CH*	VE CAT-H30 CH*
Black coating	CAT	VE CAT-H18 PN*	VE CAT-H30 PN*
Chrome plated	H10	VE H10-H18 CH*	VE H10-H30 CH*
Black coating	H10	VE H10-H18 PN*	VE H10-H30 PN*
Chrome plated	H6	VE H6-H18 CH*	VE H6-H30 CH*
Black coating	H6	VE H6-H18 PN*	VE H6-H30 PN*
Chrome plated	T3	VE T3-H18 CH	VE T3-H30 CH
Black coating	T3	VE T3-H18 PN	VE T3-H30 PN
Chrome plated	T5	VE T5-H18 CH	VE T5-H30 CH
Black coating	T5	VE T5-H18 PN	VE T5-H30 PN
Chrome plated	TO	VE TO-H18 CH	VE TO-H30 CH
Black coating	TO	VE TO-H18 PN	VE TO-H30 PN
Chrome plated	TOF	VE TOF-H18 CH*	VE TOF-H30 CH*
Black coating	TOF	VE TOF-H18 PN*	VE TOF-H30 PN*
Chrome plated	TR10	VE TR10-H18 CH*	VE TR10-H30 CH*
Black coating	TR10	VE TR10-H18 PN*	VE TR10-H30 PN*
Chrome plated	TR6	VE TR6-H18 CH*	VE TR6-H30 CH*
Black coating	TR6	VE TR6-H18 PN*	VE TR6-H30 PN*
Chrome plated	TR7	VE TR7-H18 CH	VE TR7-H30 CH
Black coating	TR7	VE TR7-H18 PN	VE TR7-H30 PN
Chrome plated	TR8	VE TR8-H18 CH	VE TR8-H30 CH
Black coating	TR8	VE TR8-H18 PN	VE TR8-H30 PN



Cranked cam on demand
IP65 on demand
Special cam see page D2/10

* References only produced on order

LATCHES

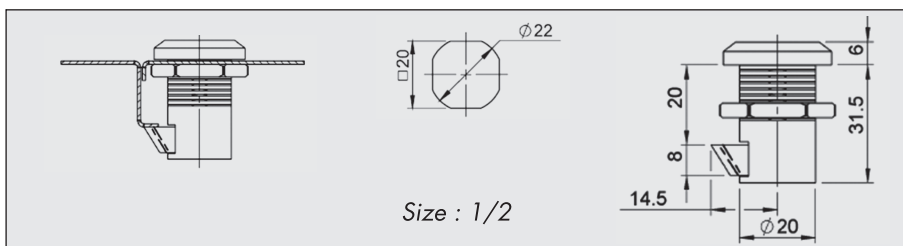


Slam latches and compression latches

VEP
(Straight cam)



size : 1/1



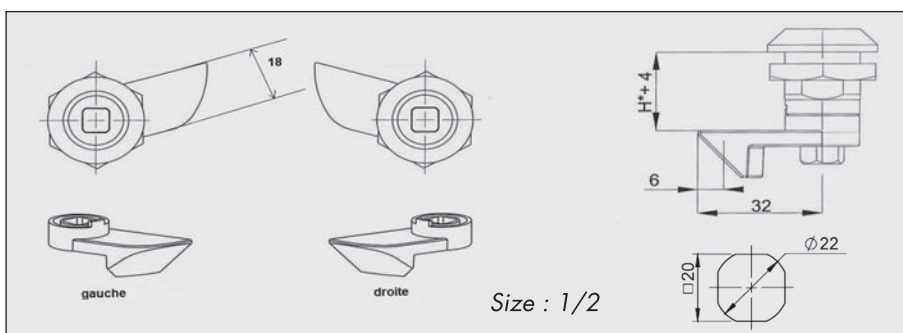
Slam latches - Die cast Chrome plated **CH** or black coating **PN**

Finish	insert	Length housing	Reference
Chrome plated	CL 1333	H20	VEP CL1333-H20 CH
Black coating	CL2233	H20	VEP CL2233-H20 PN*
Chrome plated	DP205	H20	VEP CLDP205-H20 CH*

VEP
(Slam latches (right or left sprung))



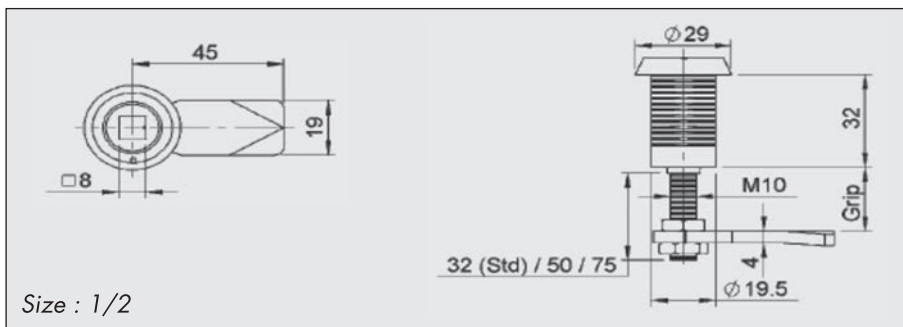
Full size



Slam latches right or left sprung - die cast Chrome plated **CH** or black coating **PN**

Finish	insert	Length housing	Reference
Chrome plated	TE5	H18	VEP TE5-H18 DCH (D = Right)
Chrome plated	TE5	H18	VEP TE5-H18 GCH (G = Left)
Black coating	CA8	H30	VEP CA8-H30 GPN*
Black coating	Wing handle	H18	VEP PA-H18 DPN*

VEC
(Compression latch)



Compression latch - die cast Chrome plated **CH** or black coating **PN**

Finish	insert	Length housing	Reference
Chrome plated	CHC8	H32	VEC CHC8-H32 PN
Black coating	TR8	H32	VEC TR8-H32 PN
Black coating	CA8	H32	VEC CA8-H32 PN
Chrome plated	TR7	H32	VEC TR7-H32 CH*

Compression latch - **STAINLESS STEEL**

Finish	insert	Length housing	Reference
Raw	CAB (railway square)	H30	VEC CA8-H32 IB*
Raw	CAB (railway square)	H30	VEC CA8-H32-19 IB (For H=19mm)

D1



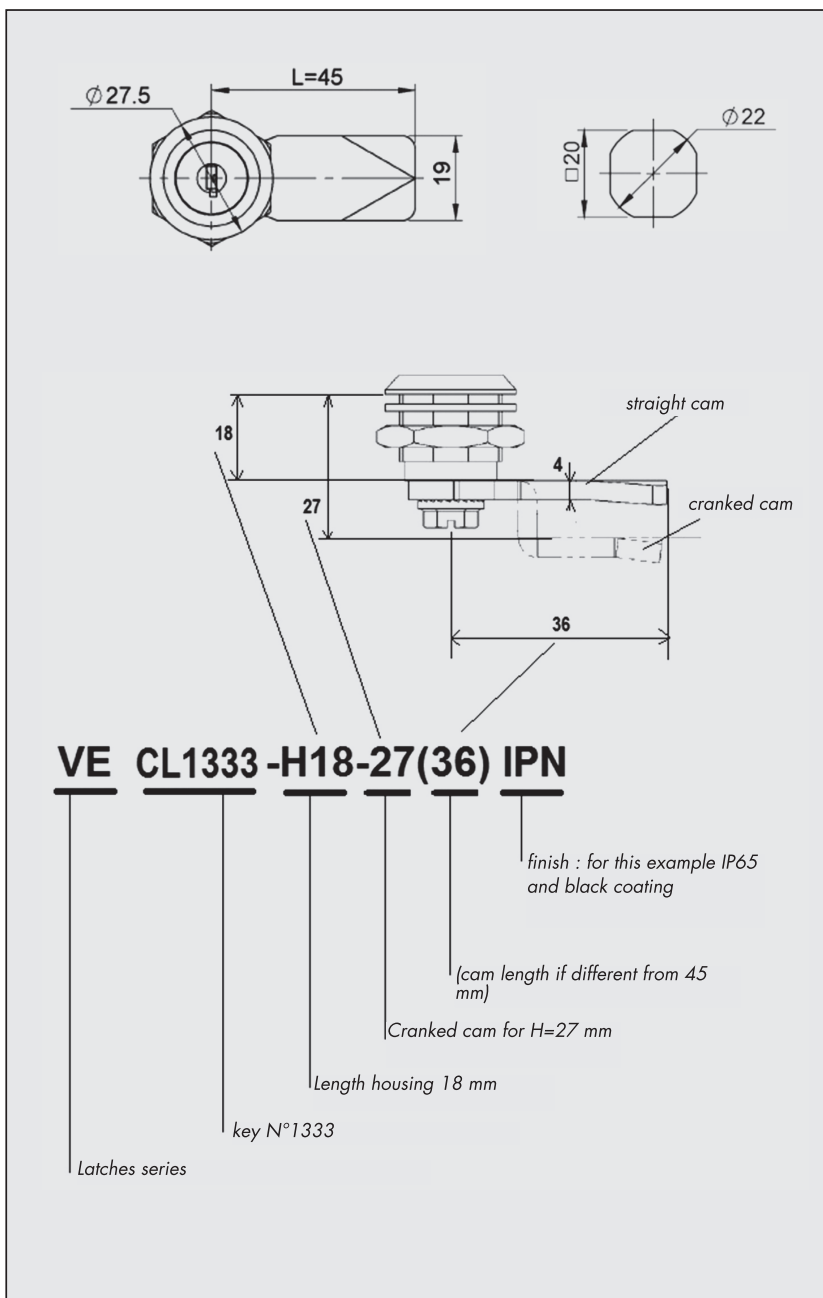
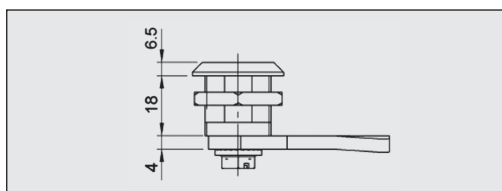
20

* References only produced on order

VE CL18
Housing H = 18 mm



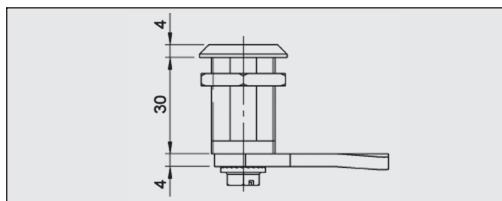
Full size



VE CL30
Housing H = 30 mm



Full size



Key latches - Die cast Chrome plated CH or black coating PN			
Finish	insert	Housing length	Reference
Chrome plated	CL 1333	H18	VE CL1333-H18 CH
Black polyamid	CL 1333	H18	VE CL1333-H18 PO
Black polyamid	CL 1333	H18	VE CL1333-H18-8 PO
Black coating	CL 2233	H30	VE CL2233-H30 PN*
Chrome plated	CL405	H30	VE CL405-H30 CH*

LATCHES



Wing handle, L and T handle latches

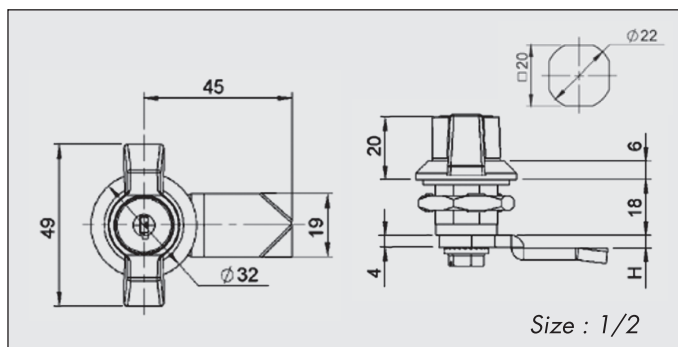
VE PA Housing 18 and 30 mm



Size : 1/2



References only produced on order



Key	Housing length	Cam length	Wing handle material	Housing material	Reference
no key	H18	45	Black polyamid	Polyamid IP65	VE PA-H18 IPP
no key	H18	45	Black polyamid	Die cast black coating	VE PA-H18 PN
no key	H18	45	Black polyamid	Black polyamid	VE PA-H18 PO
1242E	(H18+cranked 11)=26	35	Die cast black coating	Die cast black coating	VE PA1242E-H18-26(35) EPN
1333	(H18+cranked 2)=20	45	Die cast black coating	Die cast black coating	VE PA1333-H18-20 EPN
2233	H18	45	Black polyamid	Die cast black coating	VE PA2233-H18 PN
2233	H18	45	Black polyamid	Black polyamid	VE PA2233-H18 PO
no key	H30	45	Black polyamid	Polyamid IP65	VE PA-H30 IPP*

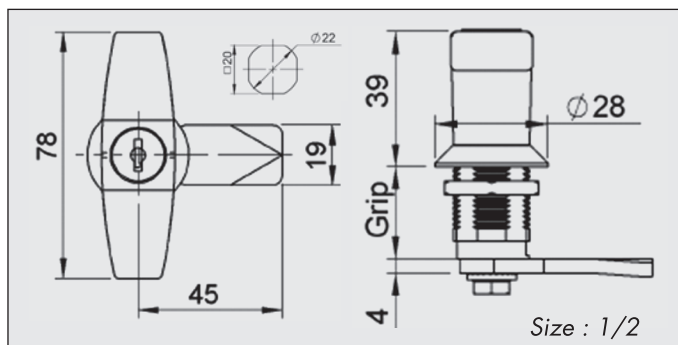
VET Housing 18 and 30 mm



Size : 1/2



References only produced on order



Key	Housing length	Cam length	Housing material	Reference
1333	(H18+cranked 2)=20	45	Die cast black coating	VET CL1333-H18-20 PN
1333	H30	45	Die cast black coating	VET CL1333-H30 PN
sans	H18	45	Die cast black coating	VET H18 PN*
sans	H30	45	Die cast black coating	VET H30 PN*

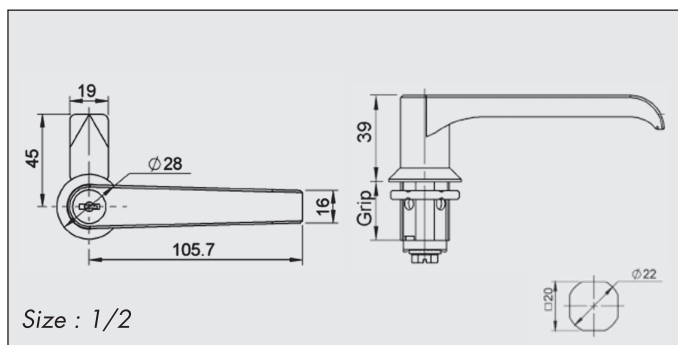
VEL Housing 18 and 30 mm



References only produced on order



Size : 1/3

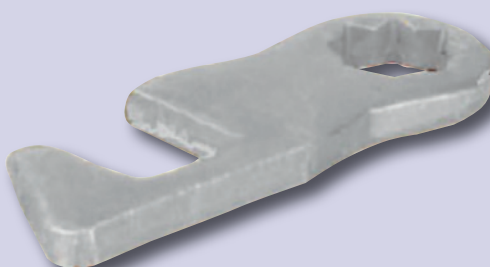


Key	Housing length	Cam length	Housing material	Reference
1333	H18	45	chrome plated die cast	VEL CL1333-H18 CH
no key	H18	45	chrome plated die cast	VEL H18 CH
1333	H18	45	Die cast black	VEL CL1333-H18 PN
CA8	H18	45	Black polyamid - Square die cast black coating	VEL CA8-H18 PO
no key	H18 With padlock hasp	45	Die cast black	VEL PC-H18 PN
no key	H30	45	Die cast black	VEL H30 PN

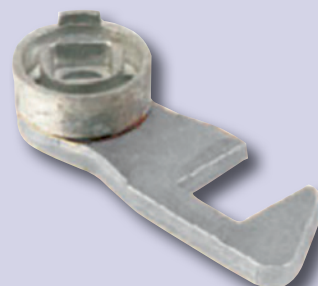
Cam hook



Cam square hook



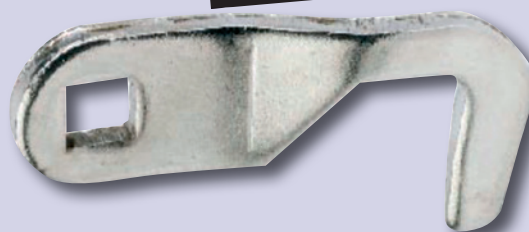
cam hook with spring inside



Cam hook small size



Cranked cam hook

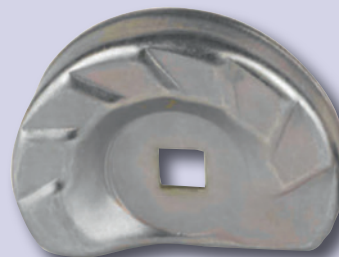


Cam polyamid



other cams on inquiry

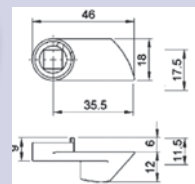
Stages cam



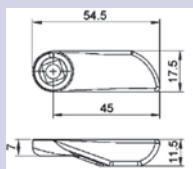
Rolling polyamid cam



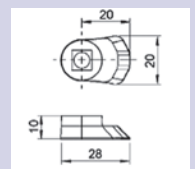
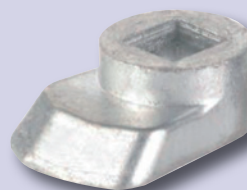
Sprung cam 35 mm



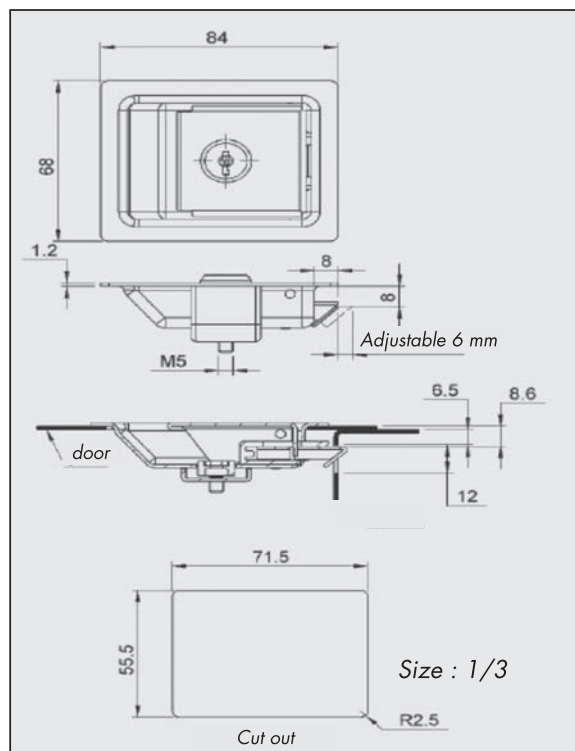
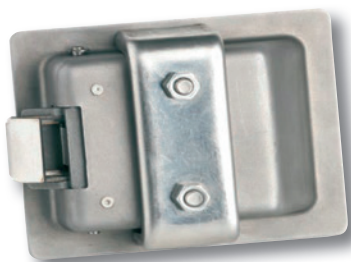
Sprung cam 45 mm



Die cast cam

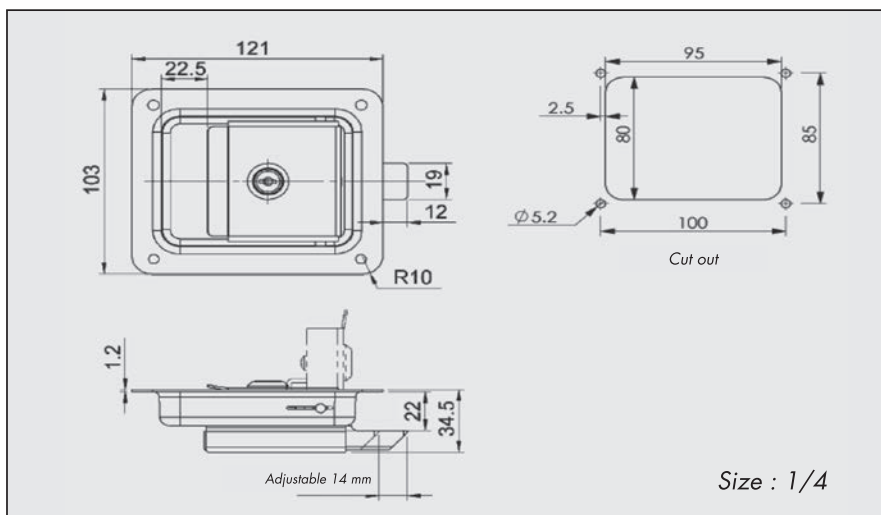


VT 84



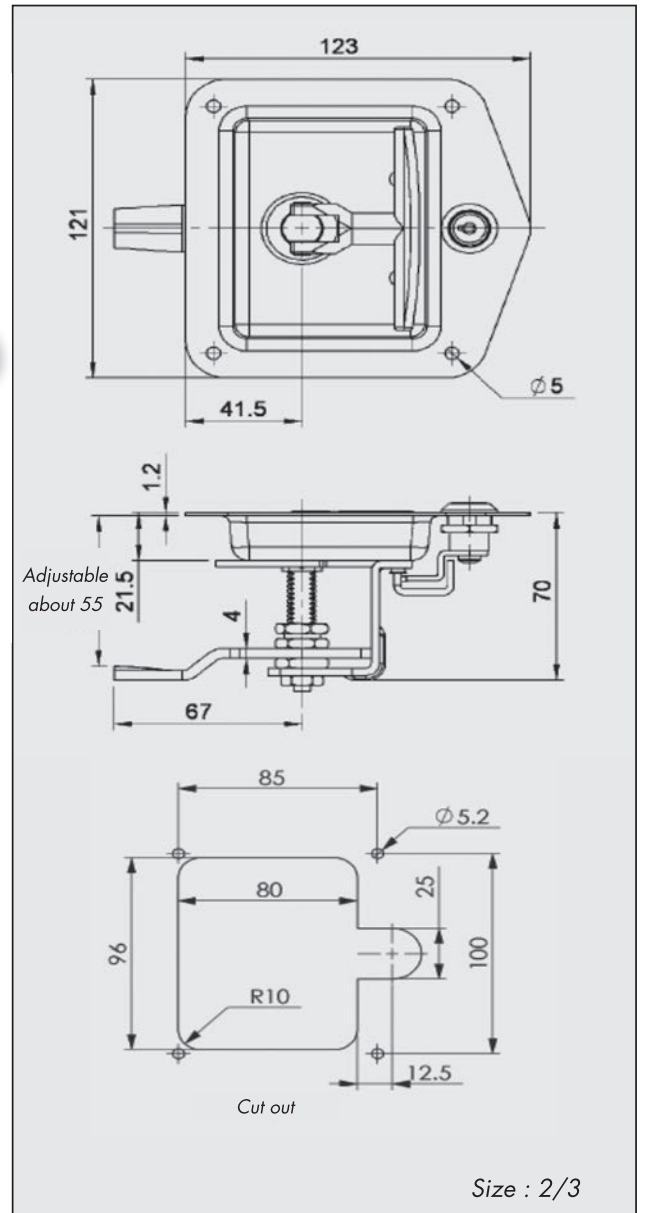
VT 84			
Material	Finish	Key	Référence
St. steel A2	Raw	No key	VT 84 IB
Steel	black coating	No key	VT 84 PN
St. steel A2	polished	CL2233	VT 84 CL2233-84 IP*

VT 120



VT 120			
Material	Finish	Key	Référence
St. steel A2	Raw	no key	VT 120 IB*
Steel	Clack coating	no key	VT 120 PN
Steel	Chrome plated	CL1333	VT CL1333-120 CH*
St. steel A2	Polished	CL2233	VT CL2233-120 IP

VTT



T canopy lock in die cast - **Chrome plated CH** or **black coating PN**

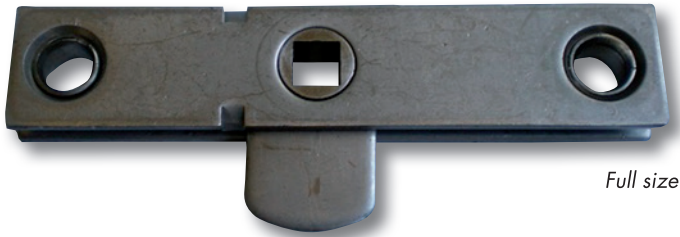
Material	Finish	Key	Reference
Steel	Chromed	CL 2233	VTT CL2233-120 CH
St. steel A2	Polished	no key	VTT 120 IP*
Steel	Black coating	no key	VTT 120 PN*

LATCHES



Flat latch and slide latches

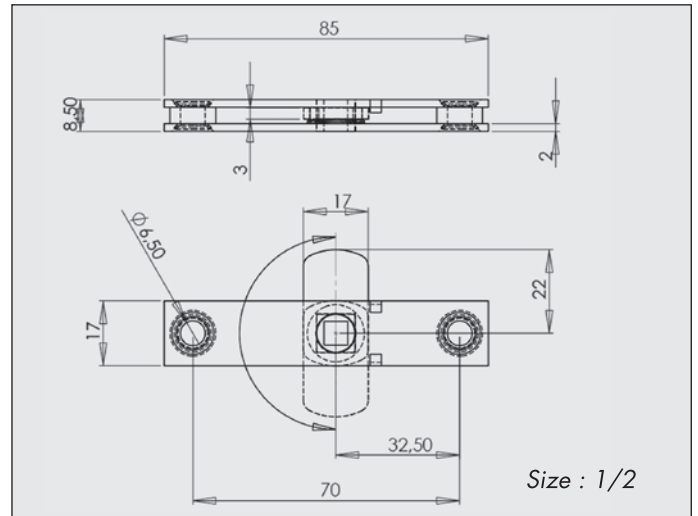
Flat latch VB 8517 IB



Full size



Size 1/2

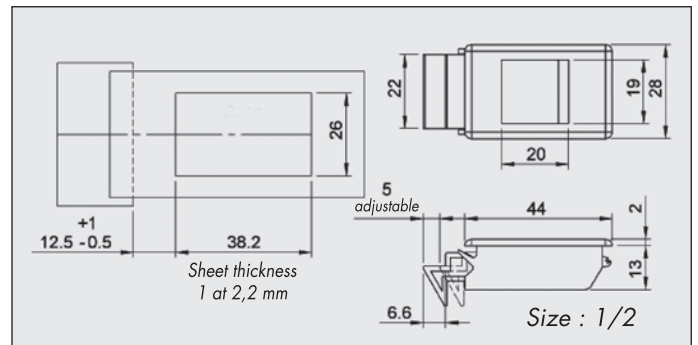


Material	Finish	Fixation	Reference
Steel	white zinc plated	with holes	VB 8517-ZI*
St steel A2	Raw	with holes	VB 8517-IB

VC 4428 PO



Full size



VC CL6428 PO

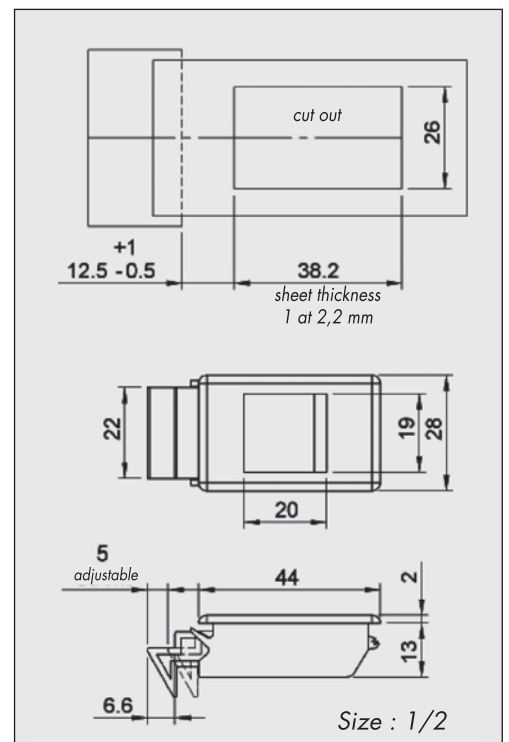


Other models on inquiry

VC 6428 PO



Other models on inquiry

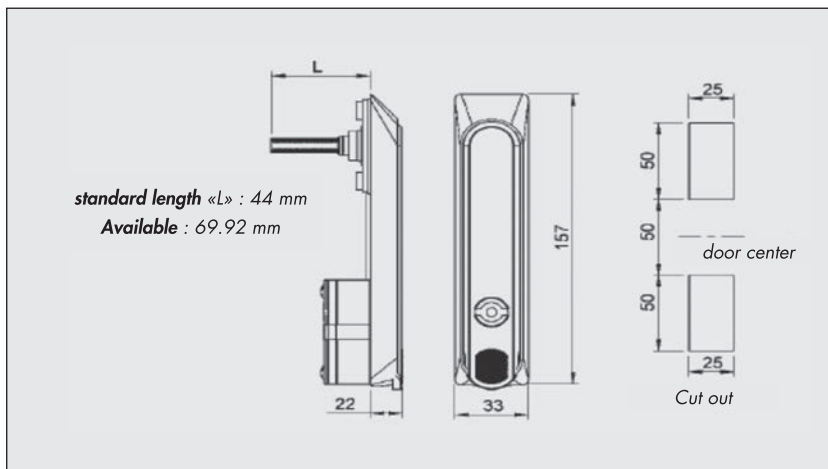


Material	Finish	Fixing	Reference
Polyamid	Black	to clip	VC 4428-PO
Polyamid	Black	to clip	VC 6428-PO
Polyamid	Black	to clip (Key)	VC CL6428-PO

All material and coating on demand.

Model
(without key)

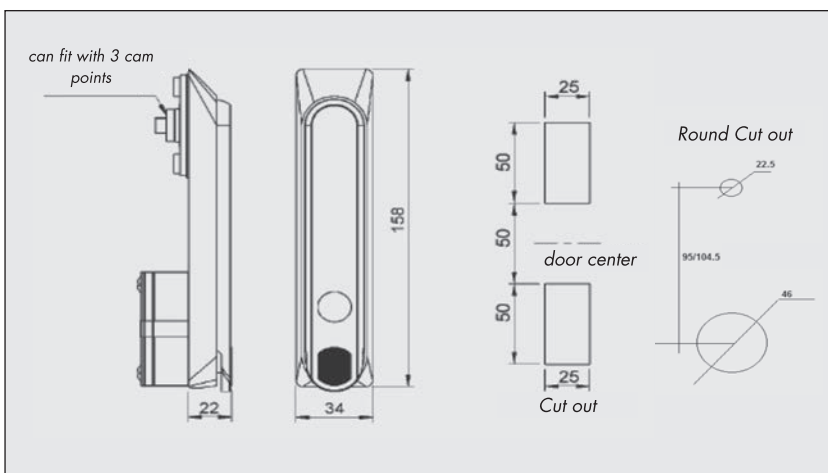
Model
(with key)



Swing lock die cast chrome plated or polyamid				
Material	Finish	Key/Swing lock/demi-cylindre	Cut out	Référence
Die cast	Chrome plated	No key	round 95	PS 95 CH*
Die cast	Black coating	CL1333	square	PS CL1333-50 EPN
Polyamid	Black coating	Swing lock	round 105	PS PC-105 PO*
Polyamid	Black coating	CYTR7 (profile cylinder with triangular insert 7)	square	PS CYTR7-50 PO*
Polyamid	Black coating	CY1242 (profile key N°1242 cylinder)	square	PS CY1242-50 PO*

Model
(with profile key cylinder)

Model
(with profile cylinder with insert)



PS	CYTR7-105	EPN	
			<p>Material and finish : PN : Die cast black coating CH : Die cast Chrome plated PO : Polyamid</p> <p>Only for square screw</p> <p>Cut out spacing : 50 : double rectangular cut out 50mm 95 : double round cut out 95mm 105 : double round cut out 105mm</p> <p>Locking system : PC : padlock CL1242 : Key N°1242 CYTR7 : profile cylinder with triangular 7mm insert CY1333 : profile cylinder key N°1333</p> <p>Swing handle latch family</p>

LATCHES



Round / Flat rod and accessories

Round rod

Flat rod

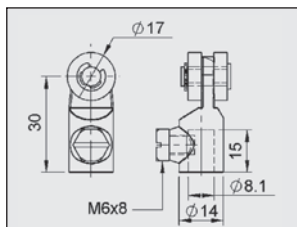
Round rod TR

Flat rod TP

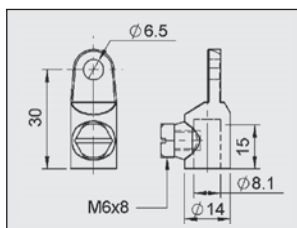
Accessories



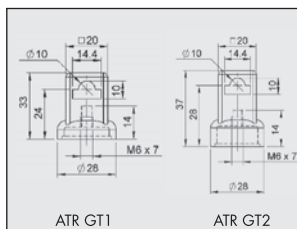
Round rod adaptor
(Steel zinc plated)
Model ATR GA1 ZI



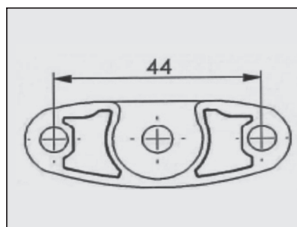
Round rod adaptor
(Steel zinc plated)
Model ATR PL1 ZI



Round rod guid
(Polyamid)
Model ATR GT1 PO
Model ATR GT2 PO

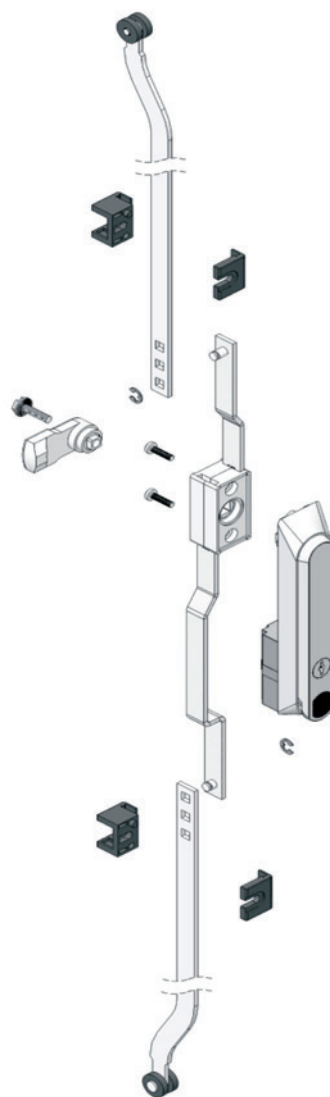
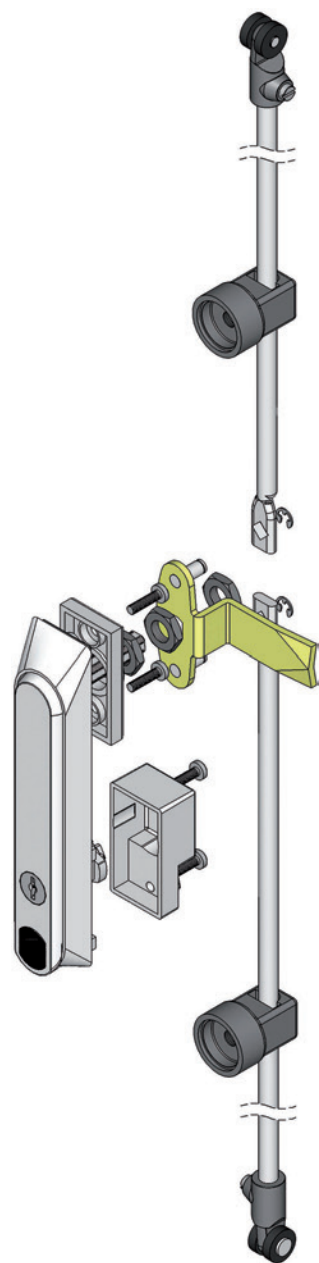
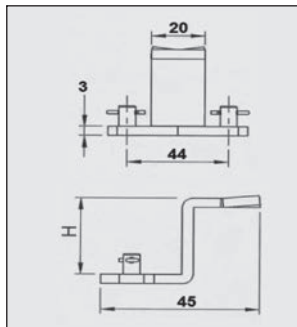


2 points/3 points Cam
adaptor
(Steel zinc plated)
Model CAM2 ZI



3 points Cam
(Steel zinc plated)
Model CAM3 Hxx ZI

(example for cranked cam
4mm : CAM3 H4 ZI)



ROUND ROD Ø 8 mm				
LG	rolling end 1	rolling end 2	Material/Finish	References
example : 800	No	No	white zinc plated	TR 800 ZI
example : 800	flat ending with hole	No	white zinc plated	TR P-800 ZI
example : 800	flat ending with hole	rolling end	white zinc plated	TR PG-800 ZI

D6

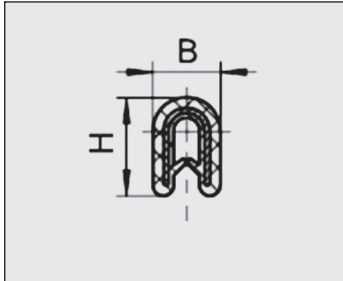


1 0

* References only produced on order

PVC edge protector with embedded steel base strip

BP

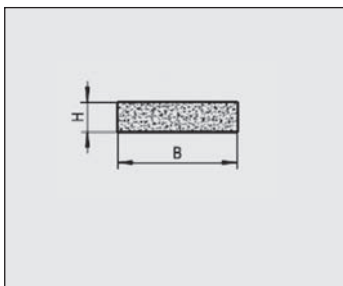


B	H	Clipping range	Color	Reference
5,5	8	0,8 to 1,5mm	Black	BP 5,5x8 HN
6	9	1 to 2mm	Black	BP 6x9 HN
6	9	1 to 2mm	White	BP 6x9 HB*
6	9	1 to 2mm	Grey	BP 6x9 HG*
6,5	9,5	1 to 2mm	Black	BP 6,5x9,5 HN
6,5	9,5	1 to 2mm	White	BP 6,5x9,5 HB*
6,5	9,5	1 to 2mm	Grey	BP 6,5x9,5 HG*
9	11,4	1,5 to 2,5mm	Black	BP 9x11,4 HN
9	13,5	1 to 4mm	Black	BP 9x13,5 HN
10	14,5	1 to 4mm	Black	BP 10x14,5 HN

Other models on inquiry

Self adhesives profiles

JA

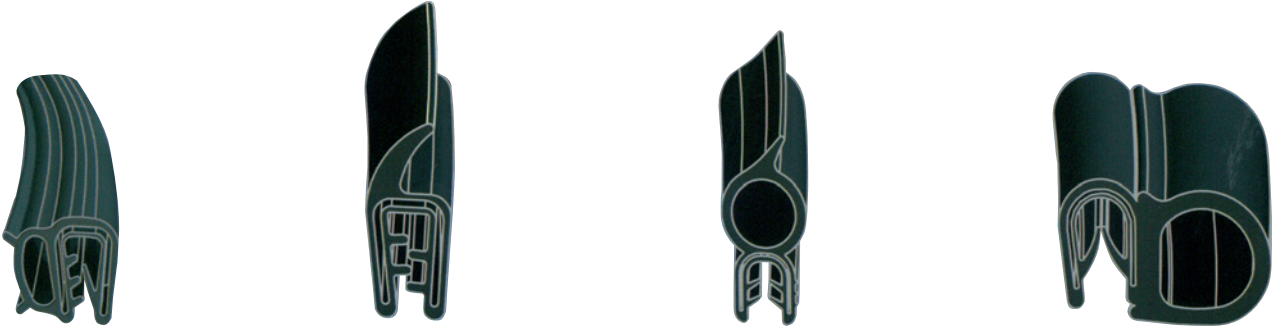


B	H	Color	Material	Reference
10	3	Black	EPDM	JA 10x3 HN
10	5	Black	EPDM	JA 10x5 HN
15	3	Black	EPDM	JA 15x3 HN
15	5	Black	EPDM	JA 15x5 HN
20	3	Black	EPDM	JA 20x3 HN
20	5	Black	EPDM	JA 20x5 HN

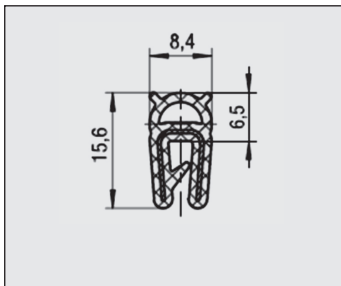
Other models on inquiry



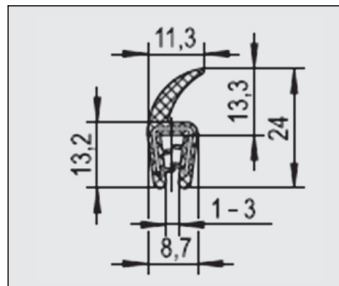
JE



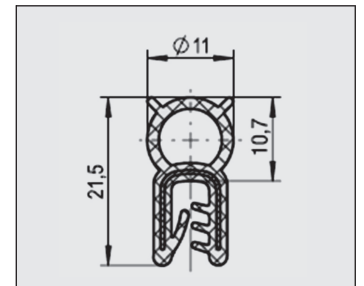
JE 8,4 x 15,6 HN



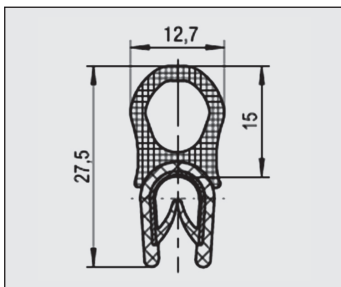
JE 11.3x24 HN



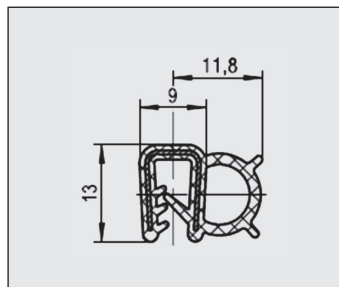
JE 11x21.5 HN



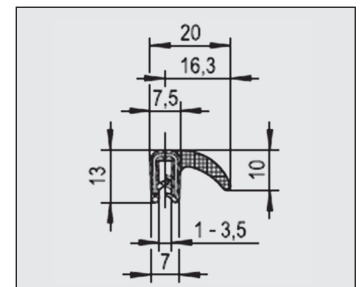
JE 12.7x27.5 HN



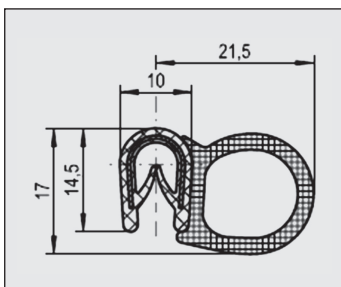
JE 16.3x13 HN



JE 20x13 HN



JE 26.5x17 HN

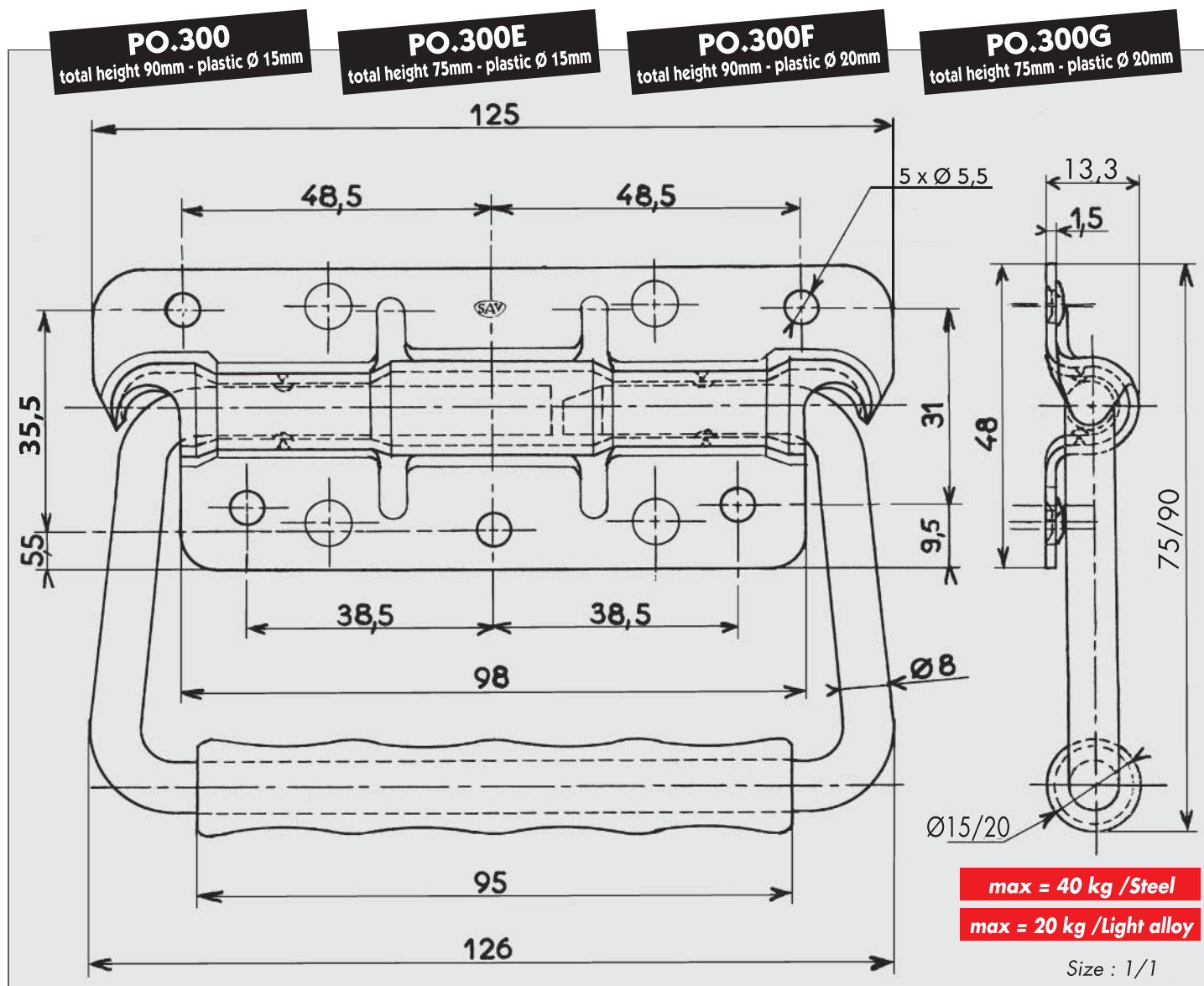


Material	Clipping range	Color	Reference
EPDM/PVC	1 to 3 mm	Black	JE 11x21,5 HN
EPDM/PVC	1 to 4 mm	Black	JE 12.7x27.5 HN
EPDM/PVC	1 to 3 mm	Black	JE 16.3x13 HN
EPDM/PVC	1 to 2 mm	Black	JE 8.4x15.6 HN
EPDM/PVC	1 to 4 mm	Black	JE 26,5x17 HN
EPDM/PVC	1 to 3 mm	Black	JE 11,3x24 HN
EPDM/PVC	1 to 3,5 mm	Black	JE 20x13 HN

HANDLE




Standard carrying handle



Description :

- Heat resistance : 100°C



MATERIAL	FINISH	FIXATION	 kg/100	REFERENCES
Steel	raw	with holes	21,500	PO.300-BR/EBR/FBR/GBR*
Steel	raw	without hole	21,575	PO.300A-BR
Steel	white zinc plated	with holes	21,500	PO.300-ZI /EZI/FZI/GZI
Steel	yellow zinc plated	with holes	21,500	PO.300-ZB*/EZB*/FZB*/GZB*
Steel	chrome-plated	with holes	21,500	PO.300-CH*
Light alloy	raw	with holes	8,050	PO.300-AL
St. steel A2	raw	with holes	21,500	PO.300-IB/EIB*/FIB*/GIB*
St. steel A2	raw	without hole	21,575	PO.300-AIB
St. steel A2	polished	with holes	21,500	PO.300-IP*

F1



1

0

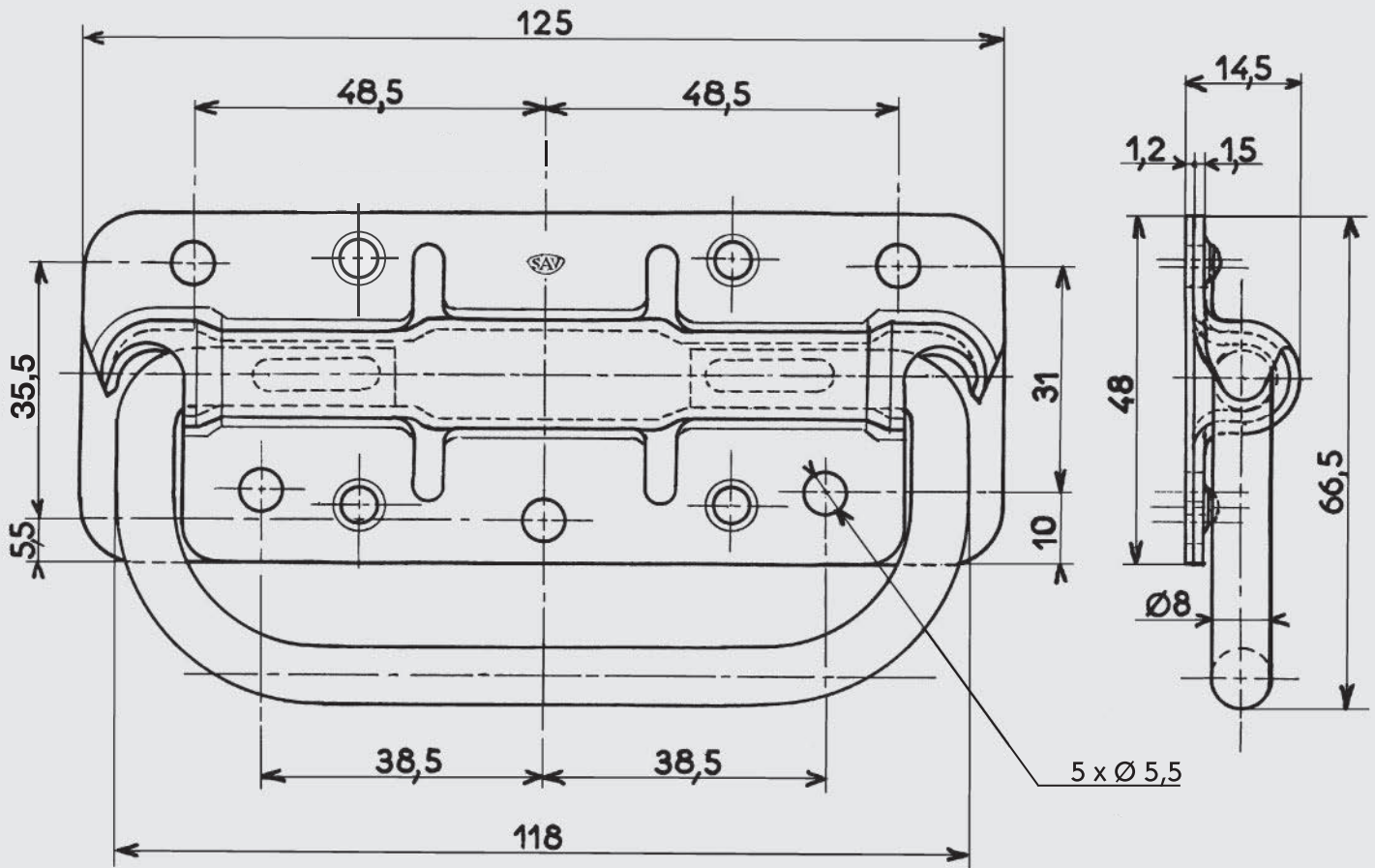
* References only produced on order

HANDLE



Standard carrying handle

PO.301



Size : 1/1

max = 60 kg



MATERIAL	FINISH	FIXATION	kg/100	REFERENCES
Steel	white zinc plated	with holes	23,000	PO.301-ZI
Steel	yellow zinc plated	with holes	23,000	PO.301-ZB*
Steel	chrome-plated	with holes	23,000	PO.301-CH
St. steel A2	raw	with holes	23,800	PO.301-IB

F1



2 0

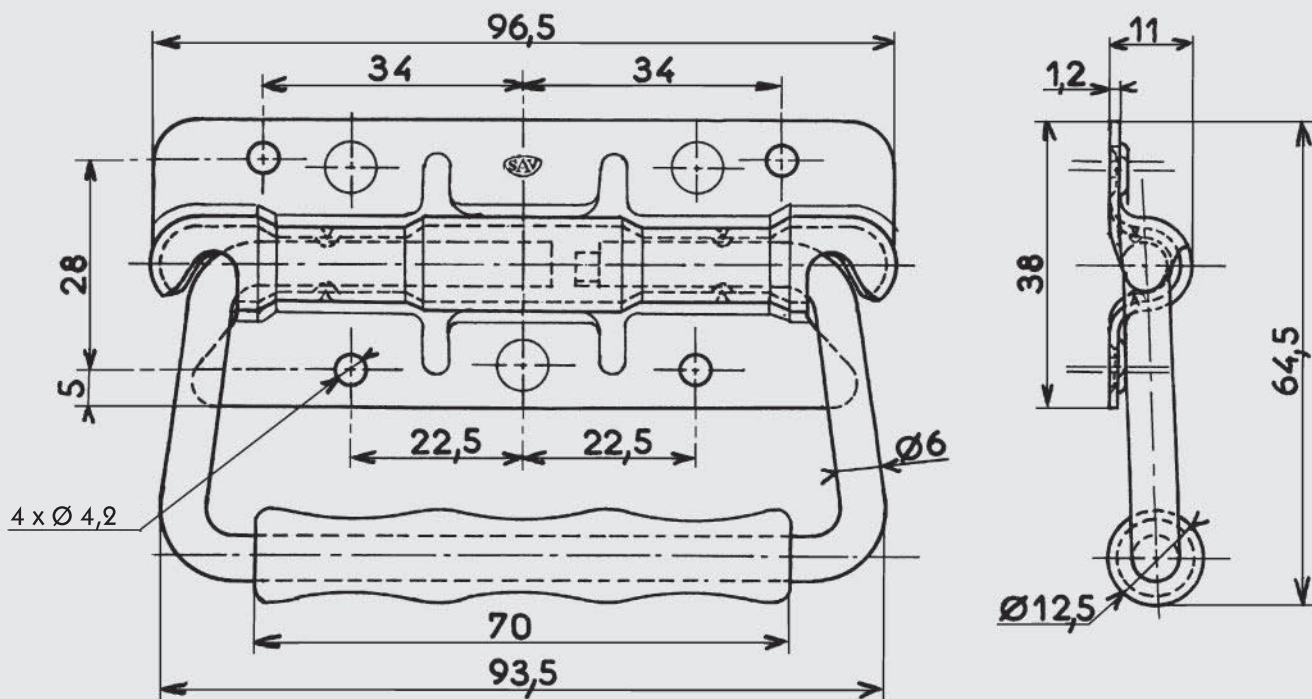
* References only produced on order

HANDLE



Standard carrying handle

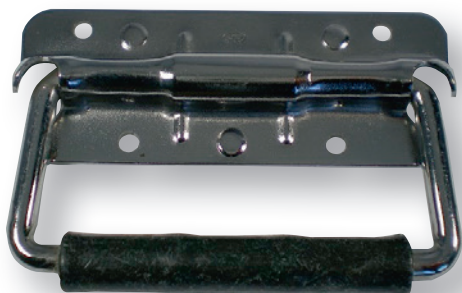
PO.304



Size : 1/1

max = 40 kg /Steel

max = 20 kg /Light alloy



Description :

- Heat resistance : 100°C.

MATERIAL	FINISH	FIXING	kg/100	REFERENCES
Steel	raw	with holes	8,600	PO.304-BR
Steel	raw	without hole	8,660	PO.304-ABR
Steel	white zinc plated	with holes	8,600	PO.304-ZI
Steel	yellow zinc plated	with holes	8,600	PO.304-ZB*
Steel	chrome-plated	with holes	8,600	PO.304-CH*
Light alloy	raw	with holes	3,200	PO.304-AL
St. steel A2	raw	with holes	8,600	PO.304-IB
St. steel A2	raw	without hole	8,660	PO.304A-IB
St. steel A2	polished	with holes	8,600	PO.304-IP*

F1



3

0

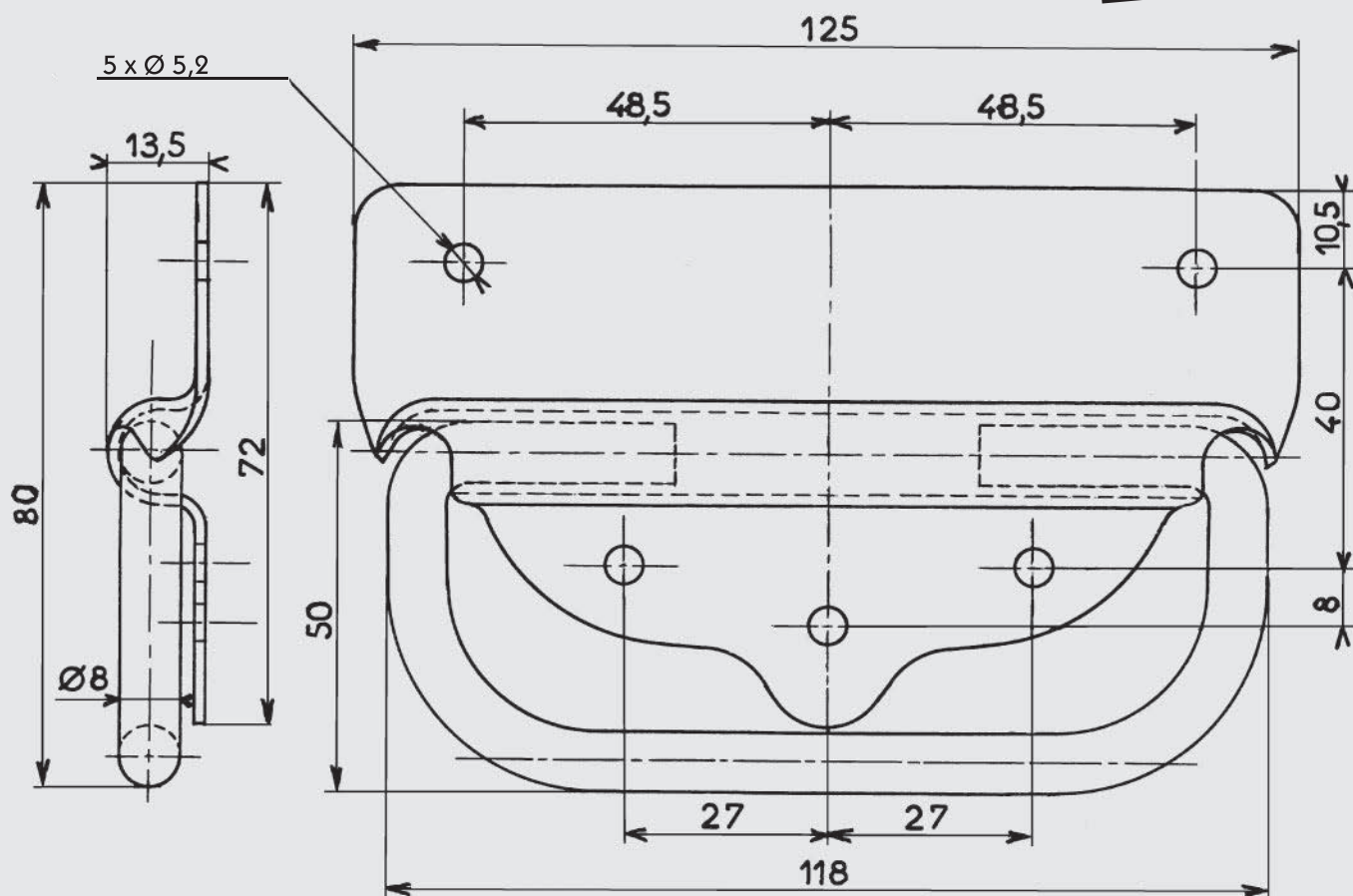
* References only produced on order

HANDLE



Standard carrying handle

PO.306



Size : 1/1

max = 60 kg



Description :

- Handle in 2 separate parts : ring + plate

MATERIAL	FINISH	FIXING	kg/100	RING REFERENCES	PLATE REFERENCES
Steel	raw	with holes	17,600	PO.306-EBR	PO.306-BR
Steel	raw	without hole	17,750	PO.306-EBR	PO.306-ABR
Steel	white zinc plated	with holes	17,600	PO.306-EZI	PO.306-ZI
Steel	yellow zinc plated	with holes	17,600	PO.306-EZB*	PO.306-ZB*
St. steel A2	raw	with holes	18,100	PO.306-EIB	PO.306-IB

F1



4 0

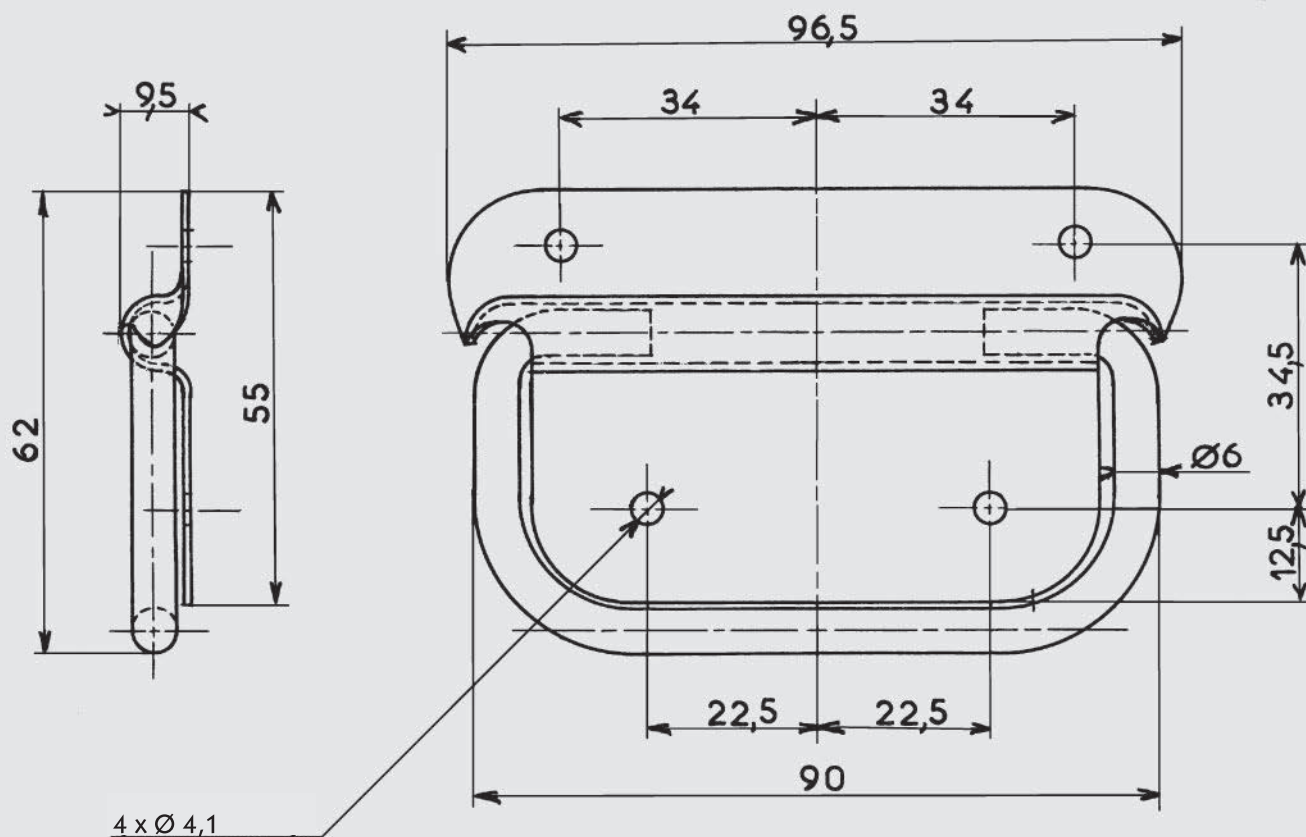
* References only produced on order

HANDLE



Standard carrying handle

PO.307




Size : 1/1

max = 25 kg



Description :

- Handle in 2 separate parts : ring + plate

MATERIAL	FINISH	FIXING	 kg/100	RING REFERENCES	PLATE REFERENCES
Steel	raw	with holes	8,100	PO.307-EBR	PO.307-BR
Steel	raw	without hole	8,170	PO.307-EBR	PO.307-ABR
Steel	white zinc plated	with holes	8,100	PO.307-EZI	PO.307-ZI
Steel	yellow zinc plated	with holes	8,100	PO.307-EZB*	PO.307-ZB*
St. steel A2	yellow zinc plated	with holes	8,300	PO.307-EIB	PO.307-IB

F1



5

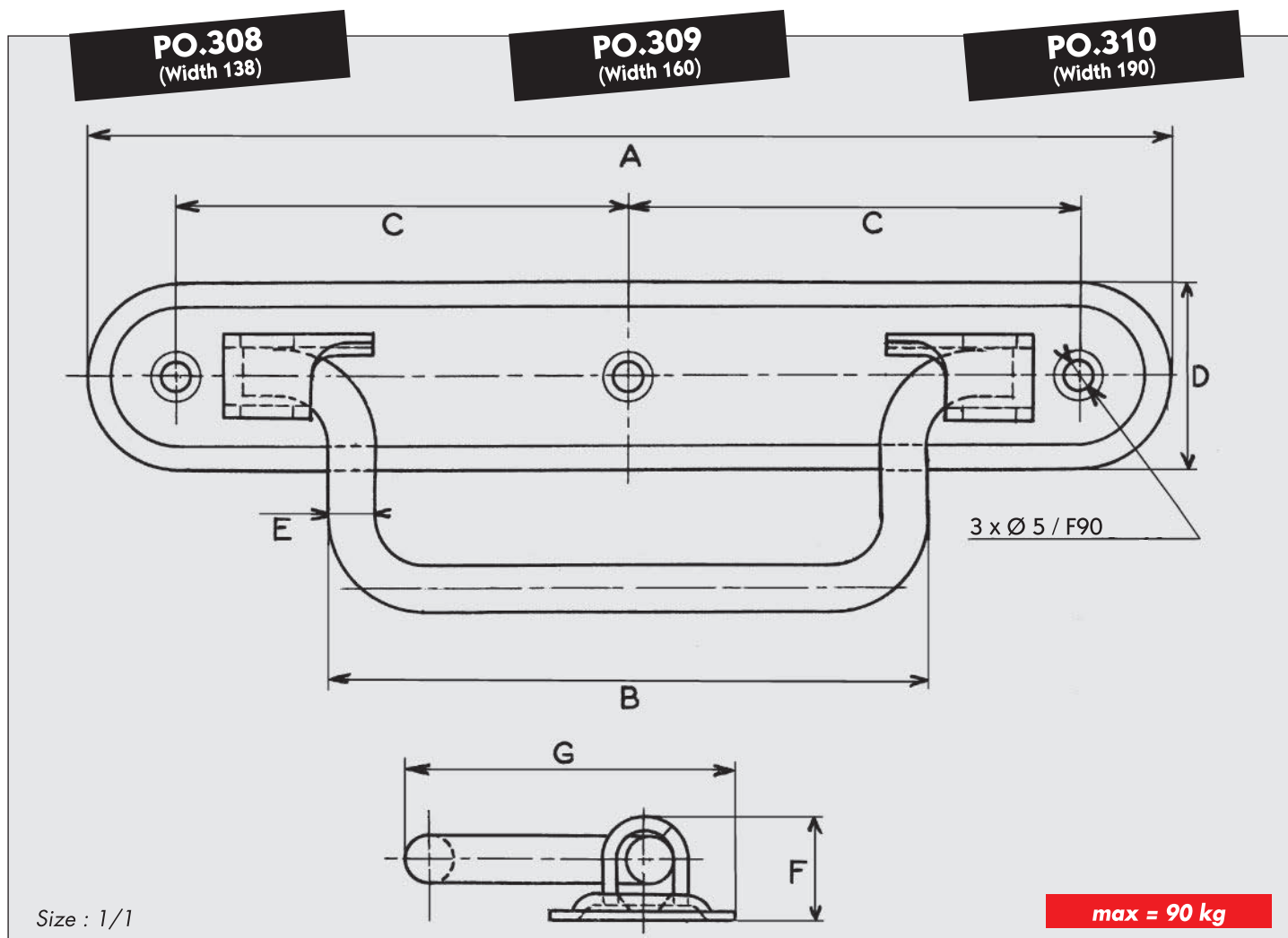
0

* References only produced on order

HANDLE



Standard carrying handle



Size : 1/1



Description :

- 40 kg in use, 90 kg before deformation

A	B	C	D	E	F	G	MATERIAL	FINISH	kg/100	REFERENCES
138	73	56,5	25,5	6	14	44	Steel	raw	5,700	PO.308-BBR
138	73	56,5	25,5	6	14	44	Steel	white zinc plated	5,700	PO.308-BZI
138	73	56,5	25,5	6	14	44	Steel	yellow zinc plated	5,700	PO.308-BZB
138	73	56,5	25,5	6	14	44	St. steel A2	raw	5,860	PO.308-BIB
160	89	66,4	27	7	14,5	48	Steel	raw	11,400	PO.309-BBR
160	89	66,4	27	7	14,5	48	Steel	white zinc plated	11,400	PO.309-BZI
160	89	66,4	27	7	14,5	48	Steel	yellow zinc plated	11,400	PO.309-BZB
160	89	66,4	27	7	14,5	48	St. steel A2	raw	11,680	PO.309-BIB
190	107	82	27	7	14,5	48	Steel	raw	12,500	PO.310-BBR
190	107	82	27	7	14,5	48	Steel	white zinc plated	12,500	PO.310-BZI
190	107	82	27	7	14,5	48	Steel	yellow zinc plated	12,500	PO.310-BZB
190	107	82	27	7	14,5	48	St. steel A2	raw	12,800	PO.310-BIB

F1



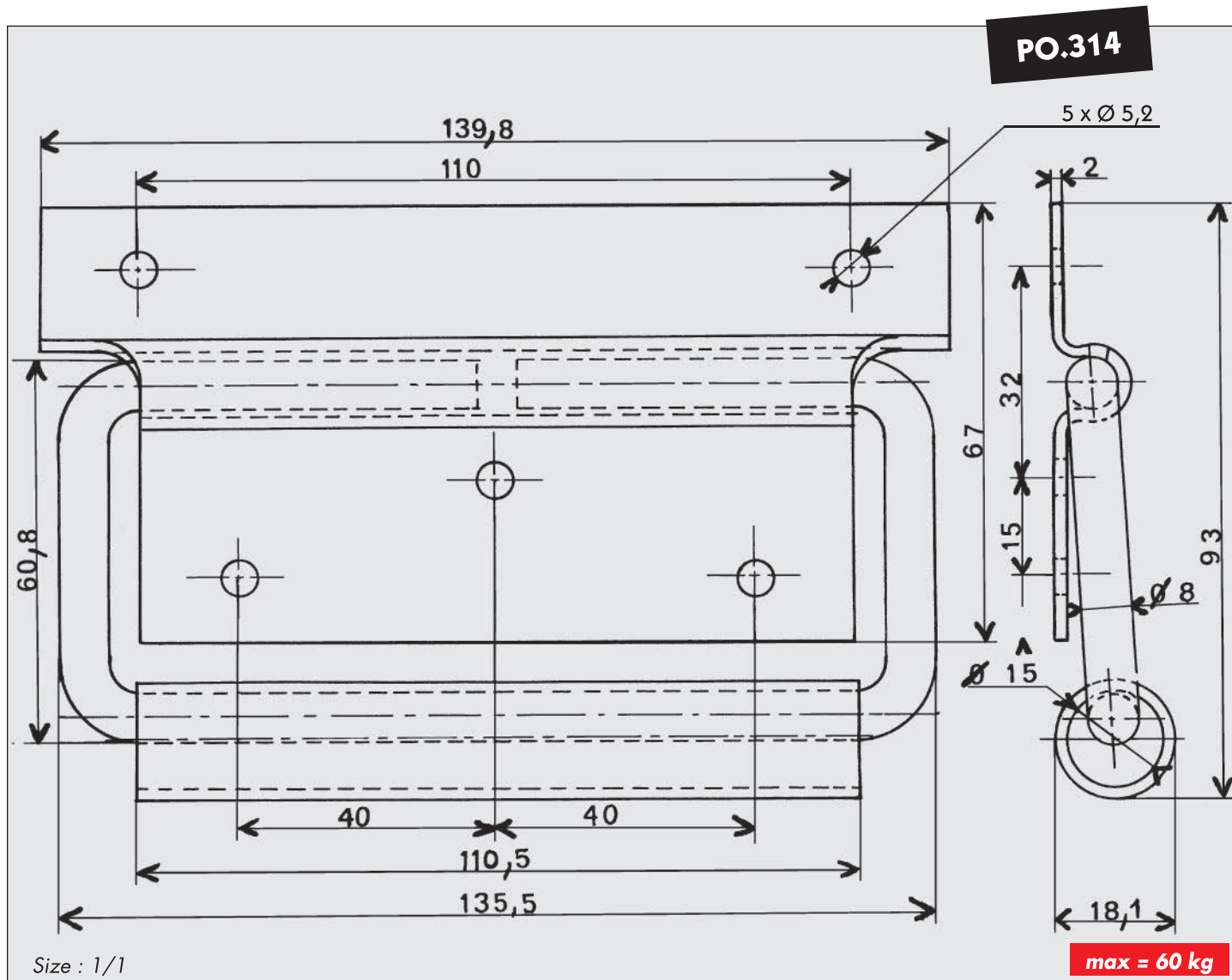
6 0

* References only produced on order

HANDLE




Standard carrying handle



Description :

- Handle in 2 separate parts : ring + plate

MATERIAL	FINISH	FIXING	 kg/100	RING REFERENCES	PLATE REFERENCES
Steel	raw	with holes	32,100	PO.314-EBR*	PO.314-BR*
Steel	white zinc plated	with holes	31,932	PO.314-EZI	PO.314-ZI
Steel	yellow zinc plated	with holes	31,932	PO.314-EZB*	PO.314-ZB*
St. steel A2	raw	with holes	31,932	PO.314-EIB*	PO.314-IB*

F1  **7 0**

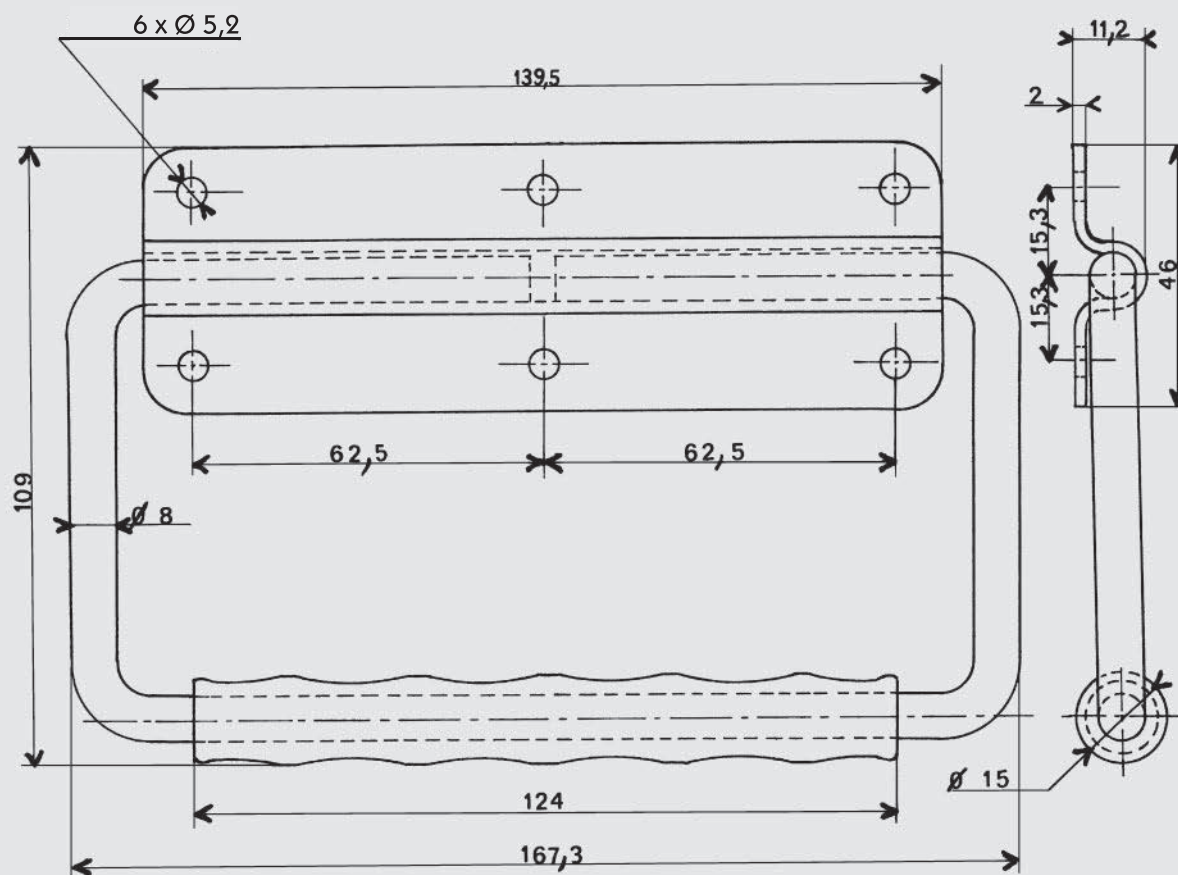
* References only produced on order

HANDLE



Standard carrying handle

PO.318



Size : 3/4

max = 80 kg



Description :

- Heat resistance : 100°C.
- Handle in 2 separate parts : ring + plate

MATERIAL	FINISH	FIXING	kg/100	PLATE REFERENCES	RING REFERENCES
Steel	white zinc plated	with holes	30,200	PO.318-ZI	PO.318-EZI
Steel	yellow zinc plated	with holes	30,200	PO.318-ZB*	PO.318-EZB*
St. steel A2	raw	with holes	30,200	PO.318-IB	PO.318-EIB

F1 **8 0**

* References only produced on order

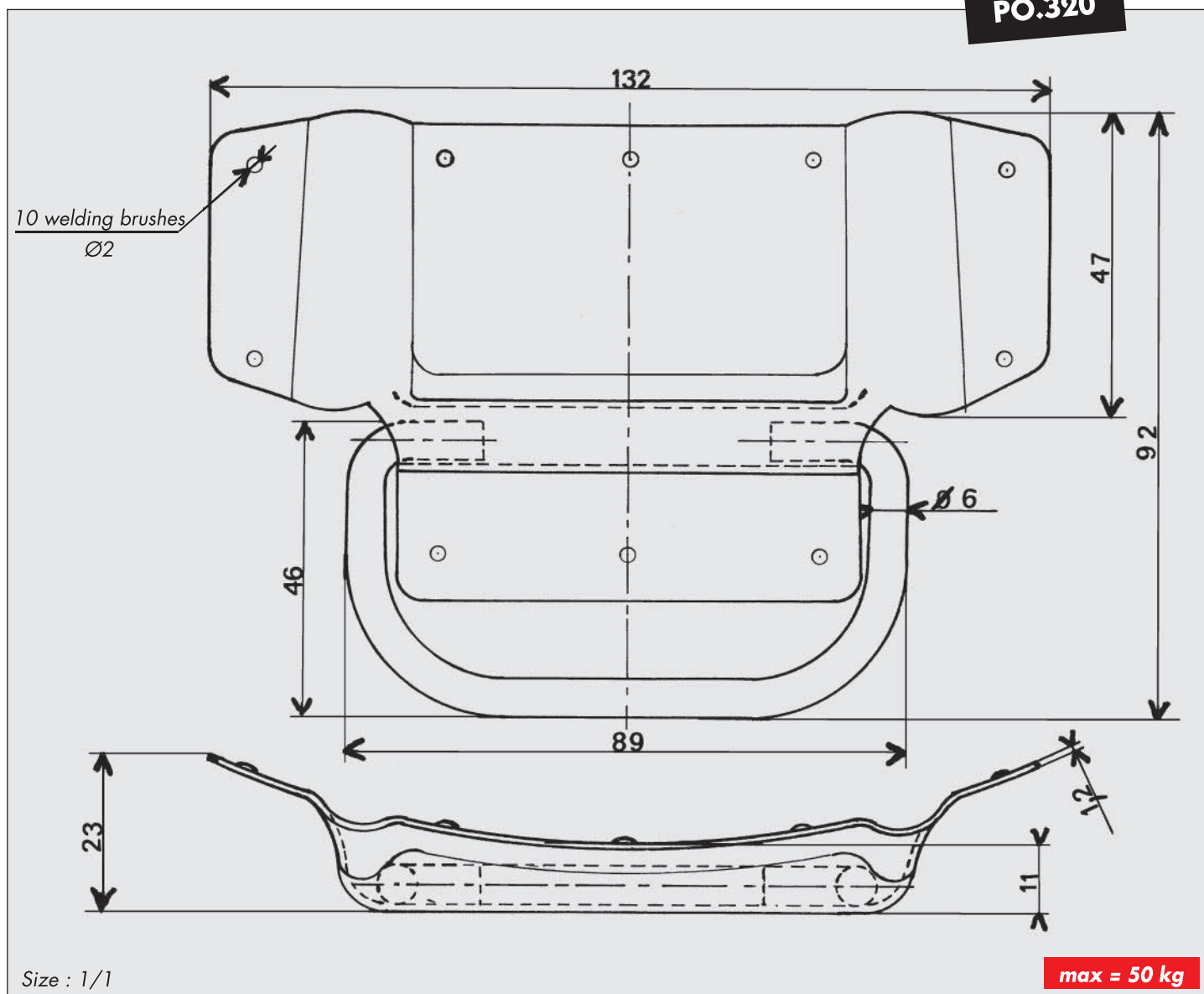
HANDLE



Standard carrying handle

for Convex Surface

PO.320



Description :

- Handle in 2 separate parts : ring + plate

MATERIAL	FINISH	FIXING	kg/100	PLATE REFERENCES	RING REFERENCES
Steel	raw	Welding brushes	13,000	PO.320-UBR*	PO.307-EBR

F1 **9 0**

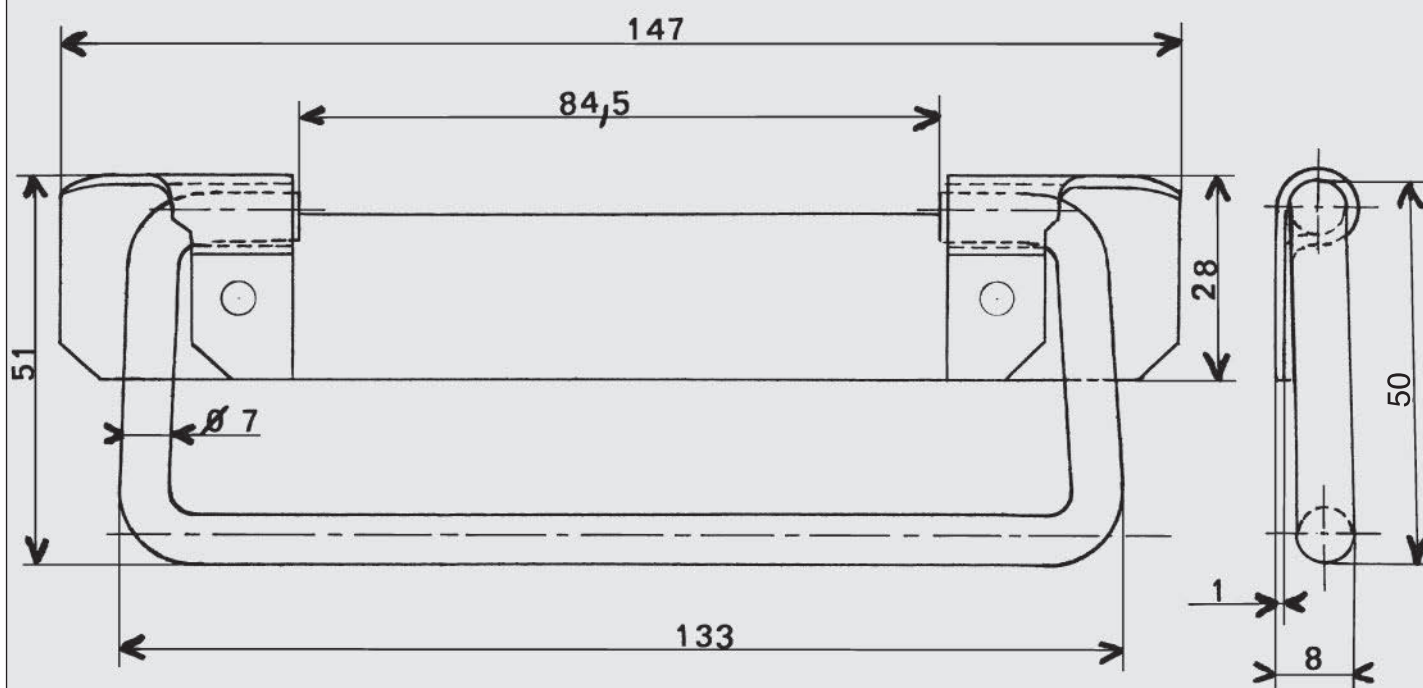
* References only produced on order

HANDLE



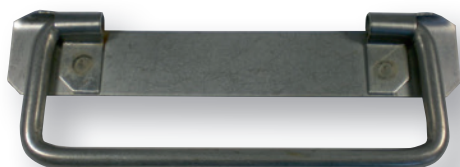
Standard carrying handle

PO.321



Size : 1/1

max = 35 kg



MATERIAL	FINISH	FIXING	kg/100	REFERENCES
Steel	raw	without hole	10,500	PO.321-ABR
St. steel A2	raw	without hole	10,500	PO.321-AIB*

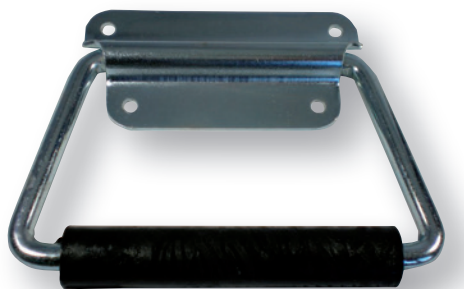
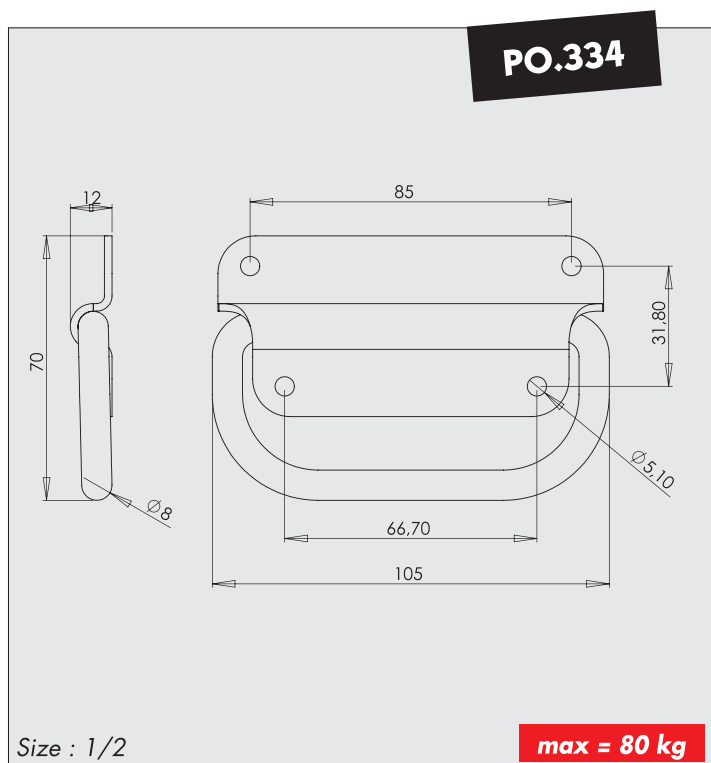
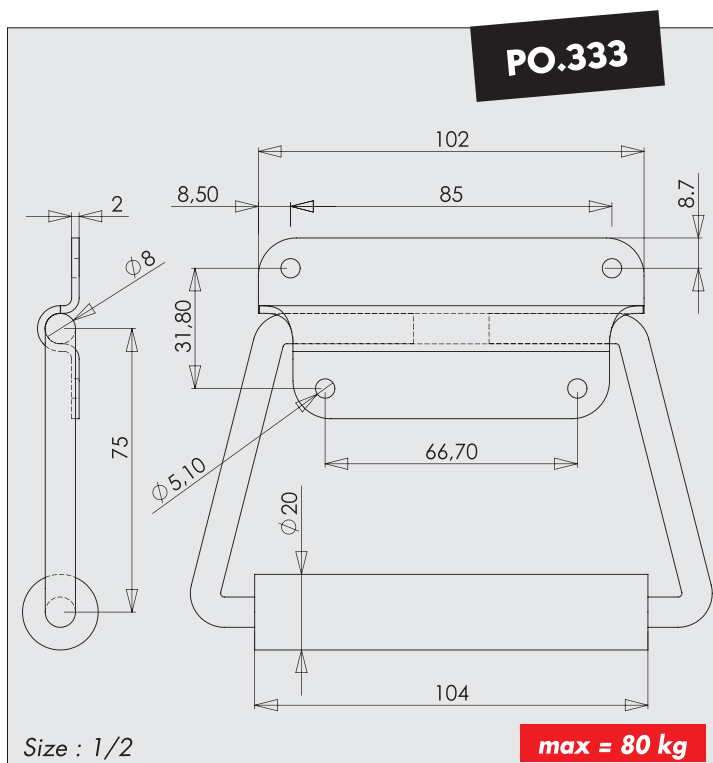
F1 **10 0**

* References only produced on order

HANDLES



Standard carrying handle



Description :

- Handle in 2 separate parts : ring + plate



MATERIAL	FINISH	FIXING	kg/100	PLATE REFERENCES	RING REFERENCES	RING REFERENCES
Steel	raw	with holes	24,000	PO.333-ZI	PO.333-EZI	PO.334-EZI
Steel	white zinc plated	with holes	24,000	PO.333-ZB*	PO.333-EZB*	PO.334-EZB*
St. steel A2	raw	with holes	24,000	PO.333-IB*	PO.333-EIB*	PO.334-EIB*

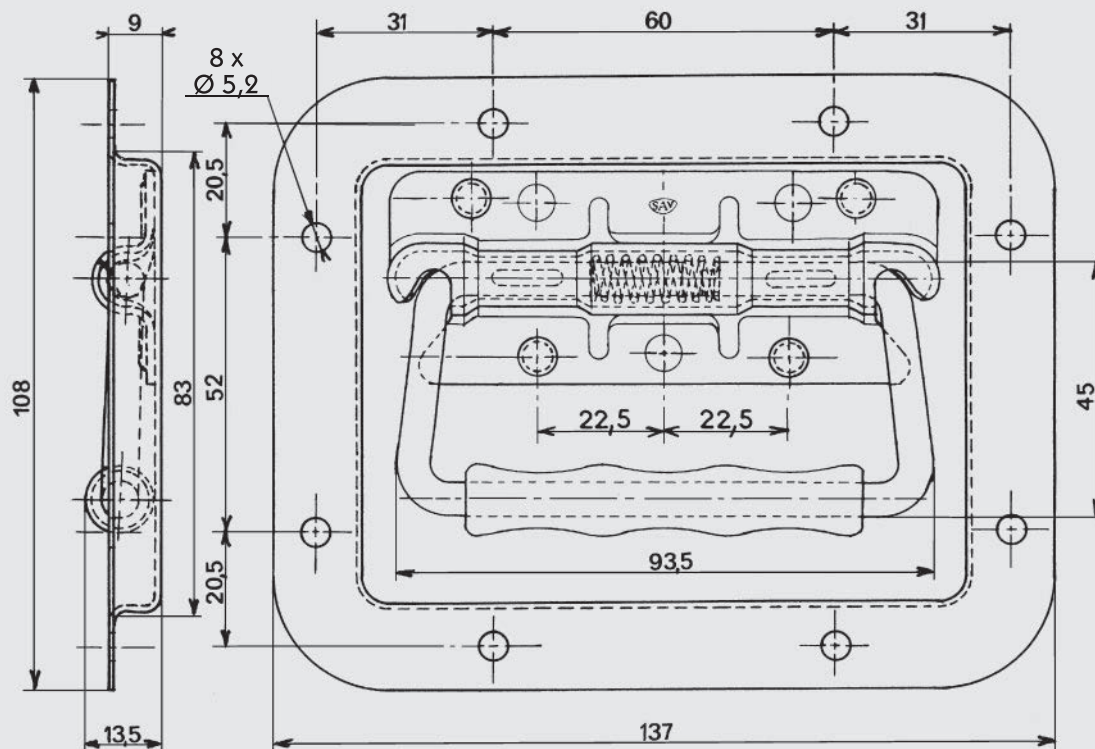
HANDLE



Standard carrying slotted handle

PO.1304
(without spring)

PR.1305
(with spring)



max = 40 kg /Steel

max = 20 kg /Light alloy

Size : 3/4



MATERIAL	FINISH	FIXING	kg/100	REFERENCES
Steel	white zinc plated	with holes	22,20	PO.1304-ZI
Steel	yellow zinc plated	with holes	22,20	PO.1304-ZB*
St. steel A2	raw	with holes	23,00	PO.1304-IB*
ligh alloy	raw	with holes	7,90	PO.1304-AL*
Steel	white zinc plated	with holes	22,30	PR.1305-ZI
Steel	yellow zinc plated	with holes	22,30	PR.1305-ZB*
St. steel A2	raw	with holes	23,10	PR.1305-IB
raw	oxydation incolore	with holes	8,00	PR.1305-AO*

F1



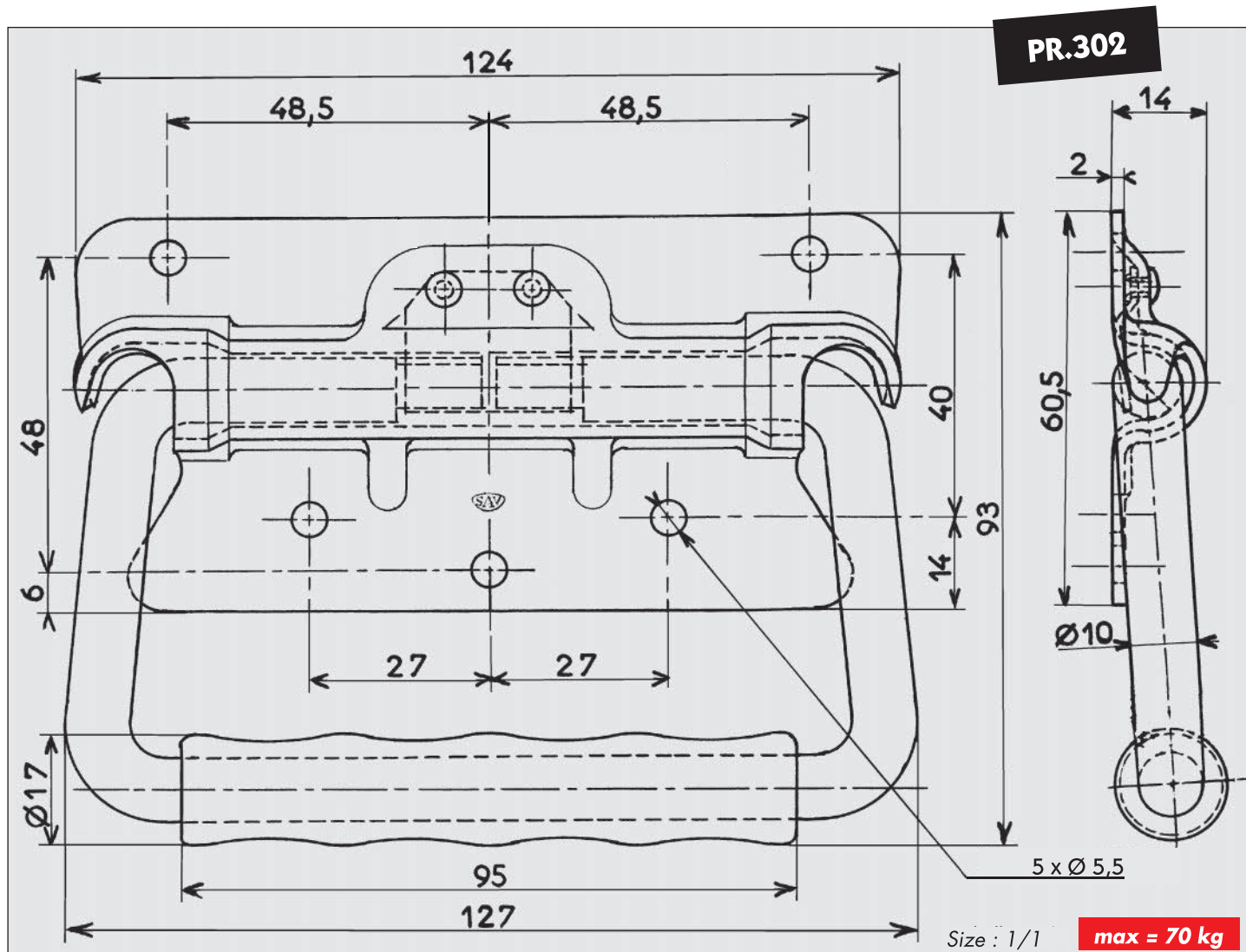
12 0

* References only produced on order

HANDLE



Spring loaded carrying Handle



Description :

- Heat resistance : 100°C.

MATERIAL	FINISH	FIXING	kg/100	REFERENCES
Steel	white zinc plated	with holes	33,000	PR.302-ZI
Steel	yellow zinc plated	with holes	33,000	PR.302-ZB*
Steel	chromed	with holes	33,000	PR.302-CH*
St. steel A2	raw	with holes	33,000	PR.302-IB
St. steel A2	raw	without hole	33,160	PR.302-AIB
St. steel A2	polished	with holes	33,000	PR.302-IP*

F2



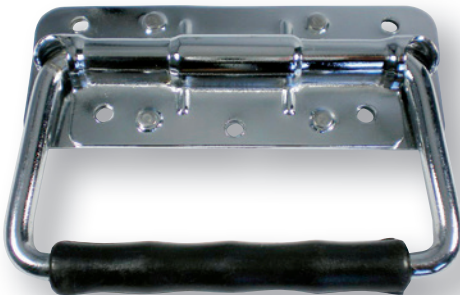
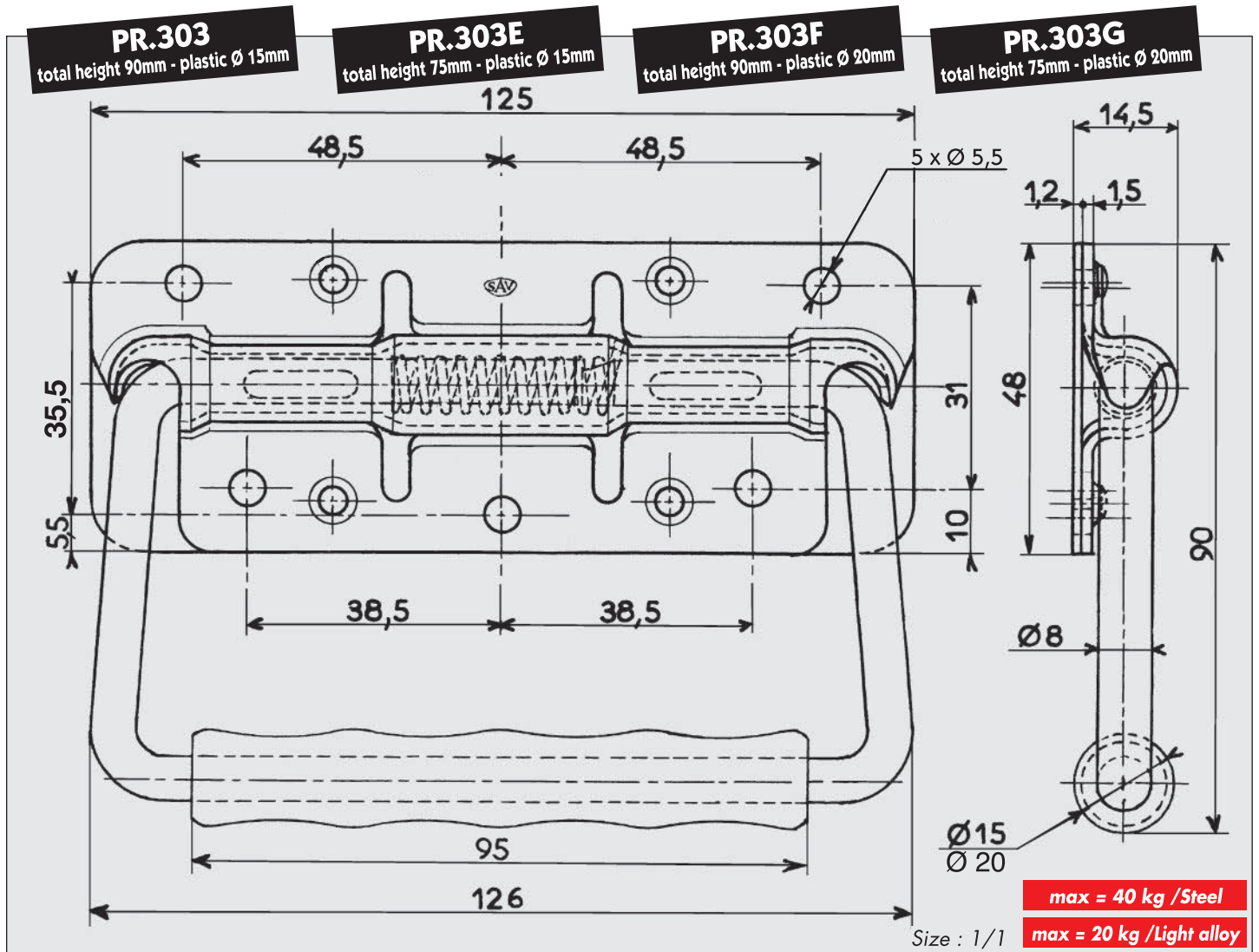
1

0

* References only produced on order

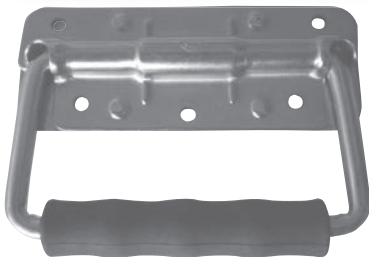
HANDLE

SAV Spring loaded carrying Handle



Description :

- Heat resistance: 100°C.



MATERIAL	FINISH	FIXATION	kg/100	REFERENCES
Steel	white zinc plated	with holes	28,000	PR.303-ZI /EZI*/FZI*/GZI*
Steel	yellow zinc plated	with holes	28,000	PR.303-ZB*/EZB*/FZB*/GZB*
Steel	chromed	with holes	28,000	PR.303-CH
ligh alloy	colorless oxydation	with holes	10,000	PR.303-AO
St. steel A2	raw	with holes	28,000	PR.303-IB/EIB*/FIB*/GIB*
St. steel A2	raw	without hole	28,150	PR.303A-IB*
St. steel A2	polished	with holes	28,000	PR.303-IP

F2



2 0

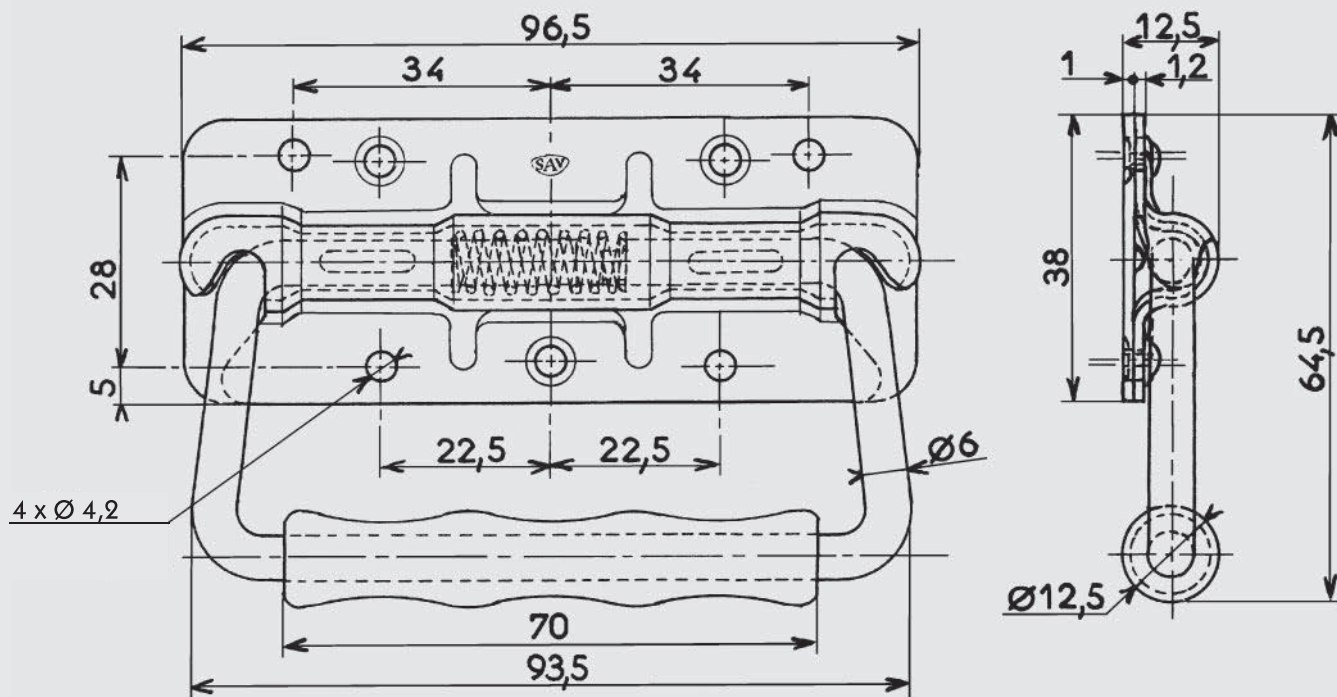
* References only produced on order

HANDLE



Spring loaded carrying Handle

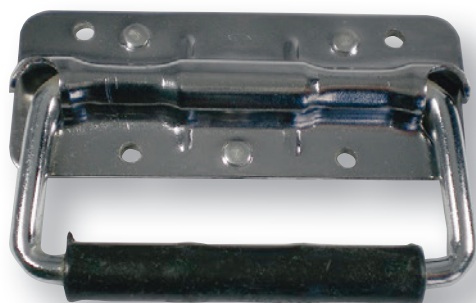
PR.305



Size : 1/1

max = 40 kg /Steel

max = 20 kg /Light alloy



Description :

- Heat resistance: 100°C.

MATERIAL	FINISH	FIXING	kg/100	REFERENCES
Steel	white zinc plated	with holes	12,000	PR.305-ZI
Steel	yellow zinc plated	with holes	12,000	PR.305-ZB*
Steel	chrome-plated	with holes	12,000	PR.305-CH
Light alloy	colorless oxydation	with holes	4,500	PR.305-AO*
St. steel A2	raw	with holes	12,000	PR.305-IB
St. steel A2	raw	without hole	12,120	PR.305A-IB*
St. steel A2	polished	with holes	12,000	PR.305-IP

F2



3

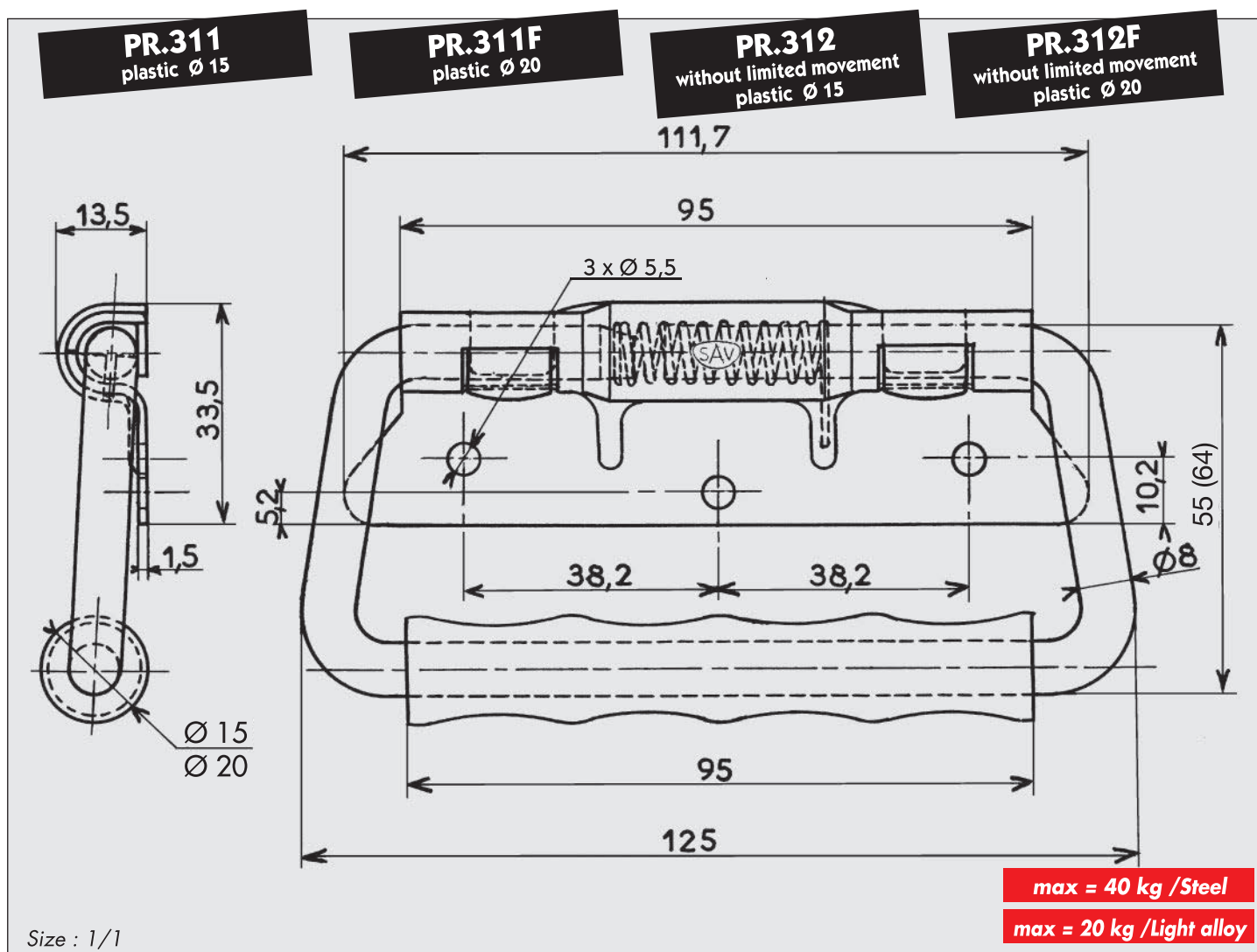
0

* References only produced on order

HANDLE



Spring loaded carrying Handle



Description :

- Heat resistance: 100°C.

MATERIAL	FINISH	FIXING	kg/100	REFERENCES
Steel	white zinc plated	with holes	17,800	PR.311-ZI /FZI*
Steel	yellow zinc plated	with holes	17,800	PR.311-ZB*
Steel	chrome-plated	with holes	17,800	PR.311-CH*
St. steel A2	raw	with holes	17,800	PR.311-IB/FIB*
Steel	white zinc plated	with holes	18,500	PR.312-ZI /FZI*
Steel	yellow zinc plated	with holes	18,500	PR.312-ZB/FZB*
Steel	chrome-plated	with holes	18,500	PR.312-CH*
St. steel A2	raw	with holes	18,500	PR.312-IB/FIB*

F2



4 0

* References only produced on order

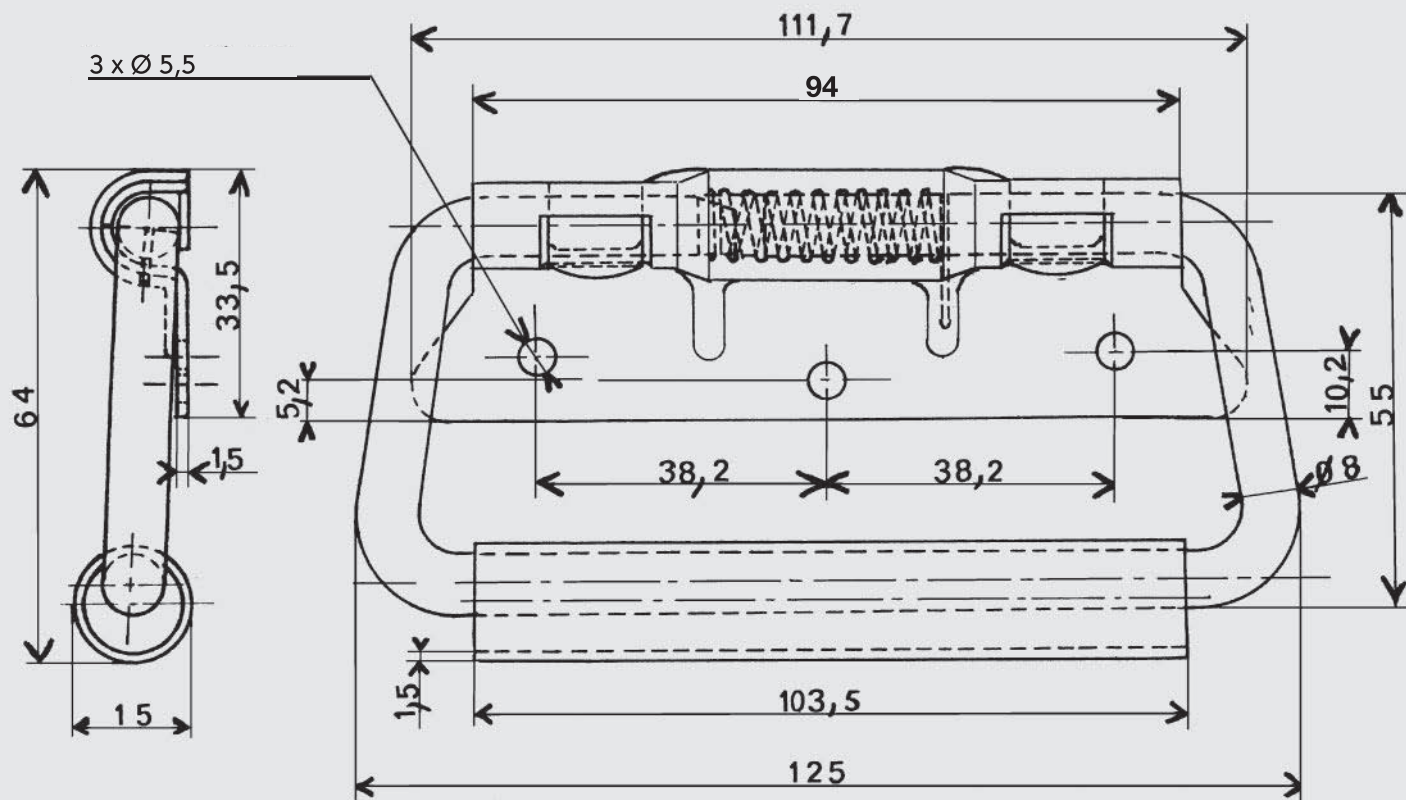
HANDLE



Spring loaded carrying Handle

PR.315

PR.316
without limited movement



Size : 1/1

max = 40 kg



MATERIAL	FINISH	FIXING	kg/100	REFERENCES	kg/100	REFERENCES
Steel	white zinc plated	with holes	22,510	PR.315-ZI	16,300	PR.316-ZI
Steel	yellow zinc plated	with holes	22,510	PR.315-ZB*	16,300	PR.316-ZB*
St. steel A2	raw	with holes	22,510	PR.315-IB*	16,300	PR.316-IB*

F2



5

0

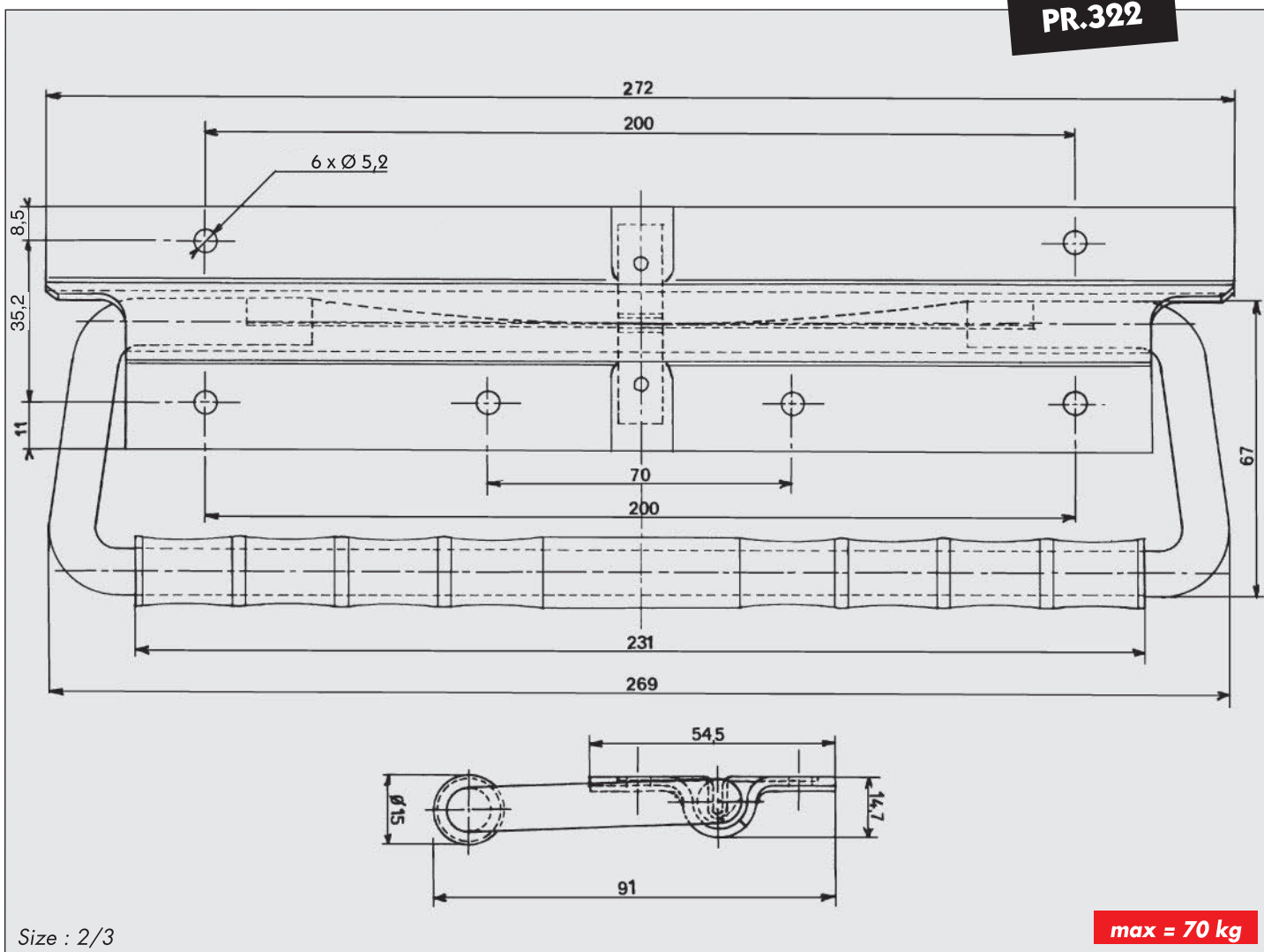
* References only produced on order

HANDLE



Extra large Spring loaded carrying Handle

PR.322



Description :

- Heat resistance: 100°C.



MATERIAL	FINISH	FIXING	kg/100	REFERENCES
Steel	white zinc plated	with holes	57,400	PR.322-ZI
Steel	yellow zinc plated	with holes	57,400	PR.322-ZB*
St. steel A2	raw	with holes	57,400	PR.322-IB

F2



6

0

* References only produced on order

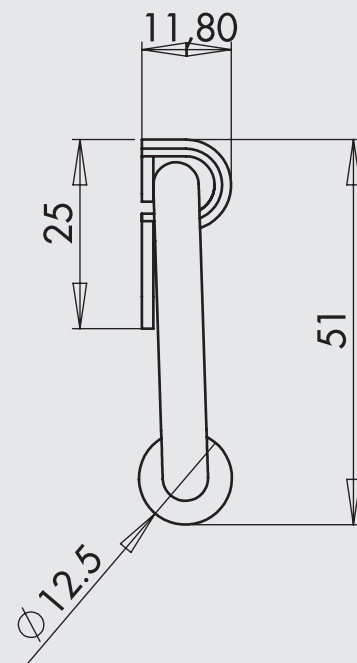
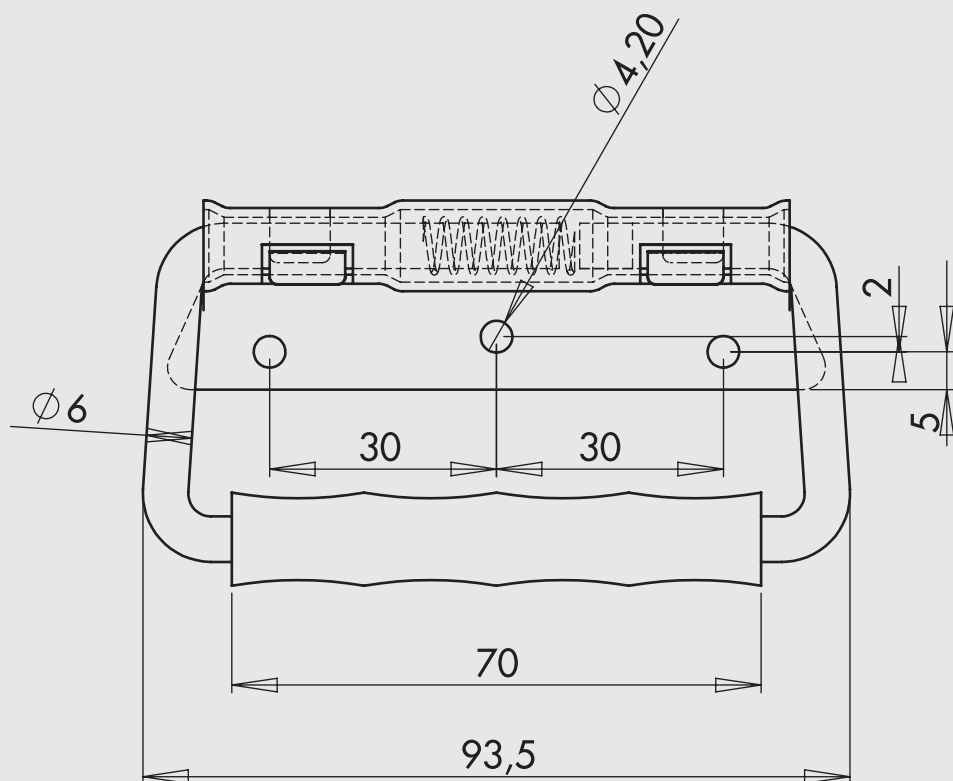
HANDLE



Spring loaded carrying Handle

PR.327

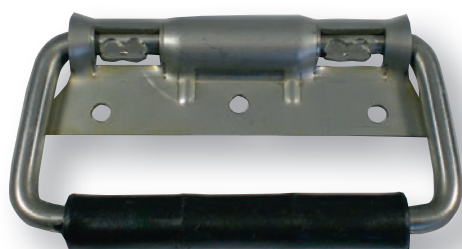
PR.326
without limited movement



max = 40 kg /Steel

max = 20 kg /Light alloy

Size : 1/1



Description :

- Heat resistance: 100°C.

MATERIAL	FINISH	FIXING	kg/100	REFERENCES	
Steel	white zinc plated	with holes	10,000	PR.326-ZI	PR.327-ZI
Steel	yellow zinc plated	with holes	10,000	PR.326-ZB*	PR.327-ZB*
Light alloy	colorless oxydation	with holes	4,000	PR.326-AO*	PR.327-AO*
St. steel A2	raw	with holes	10,000	PR.326-IB	PR.327-IB
St. steel A2	raw	without hole	10,000	PR.326A-IB*	PR.327A-IB*
St. steel A2	polished	with holes	10,000	PR.326-IP*	PR.327-IP*

F2



7 0

* References only produced on order

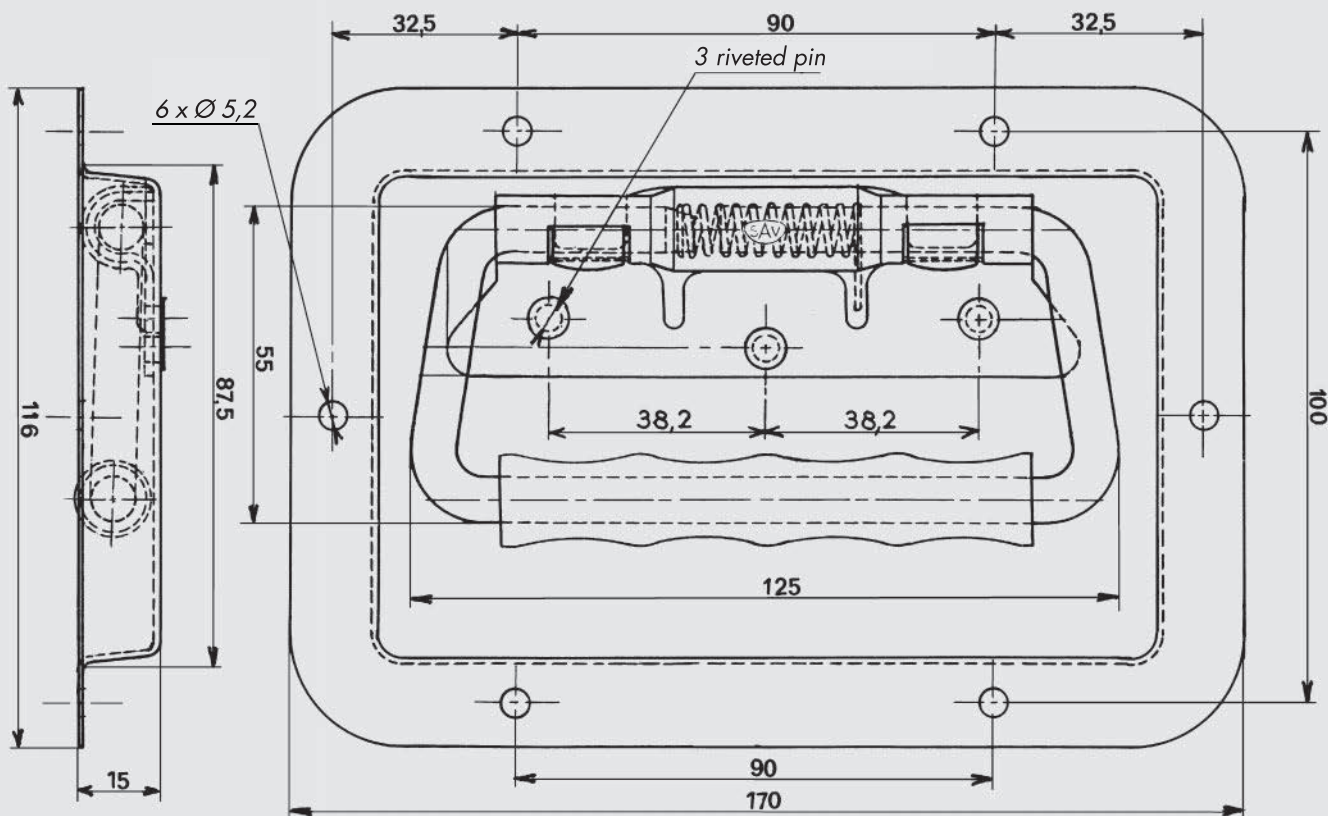
HANDLE



Spring loaded slotted carrying Handle

PR.1311

PR.1312
without limited movement



max = 40 kg /Steel


max = 20 kg /Light alloy

Size : 3/4



Description :

- Heat resistance: 100°C.

MATERIAL	FINISH	FIXING	 kg/100	REFERENCES
Steel	yellow zinc plated	with holes	33,500	PR.1311-ZI
St. steel A2	raw	with holes	34,400	PR.1311-ZB*
Light alloy	colorless oxydation	with holes	13,300	PR.1311-IB PR.1311-AO*
Steel	white zinc plated	with holes	34,200	PR.1312-ZI
Steel	yellow zinc plated	with holes	34,200	PR.1312-ZB*
St. steel A2	raw	with holes	35,100	PR.1312-IB*
Light alloy	colorless oxydation	with holes	13,400	PR.1312-AO*

F2



8

0

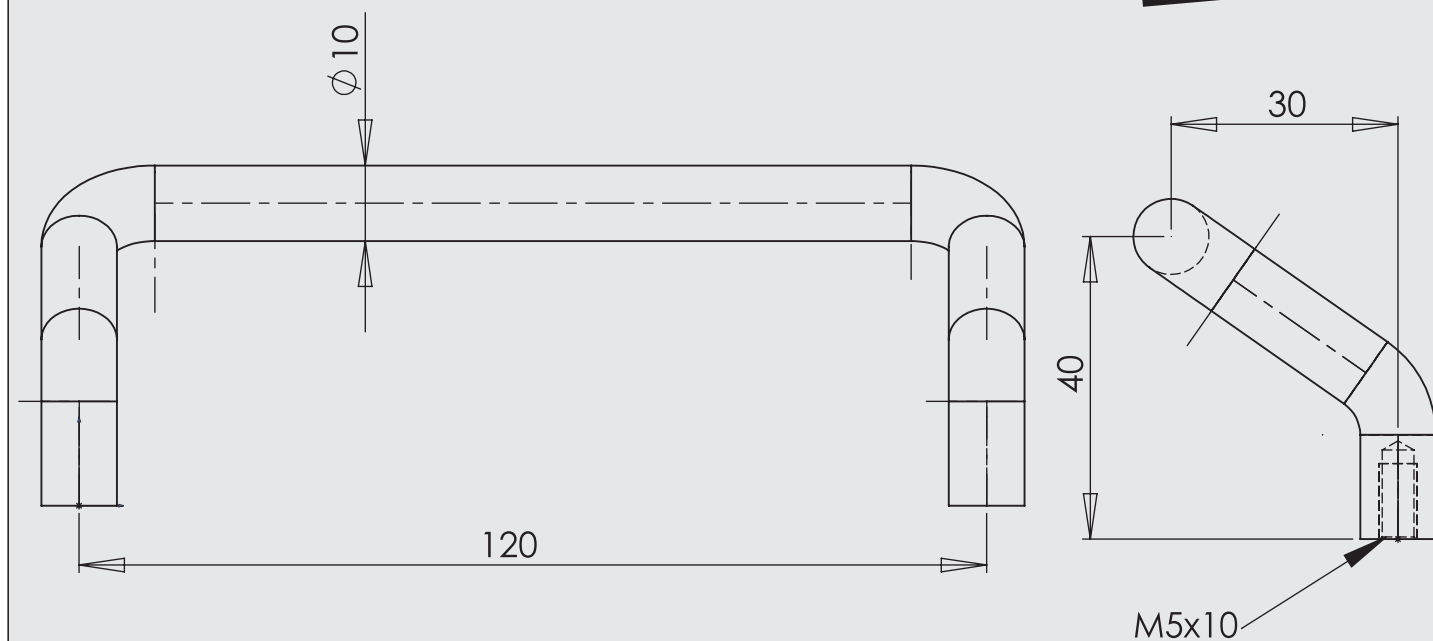
* References only produced on order

HANDLE




Pull handle

PX.392



Size : 1/1



MATERIAL	FINISH	FIXING	 kg/100	REFERENCES
Light alloy	colorless oxydation	mets 2xM5x10	4,400	PX.392-A0

F3



1

0

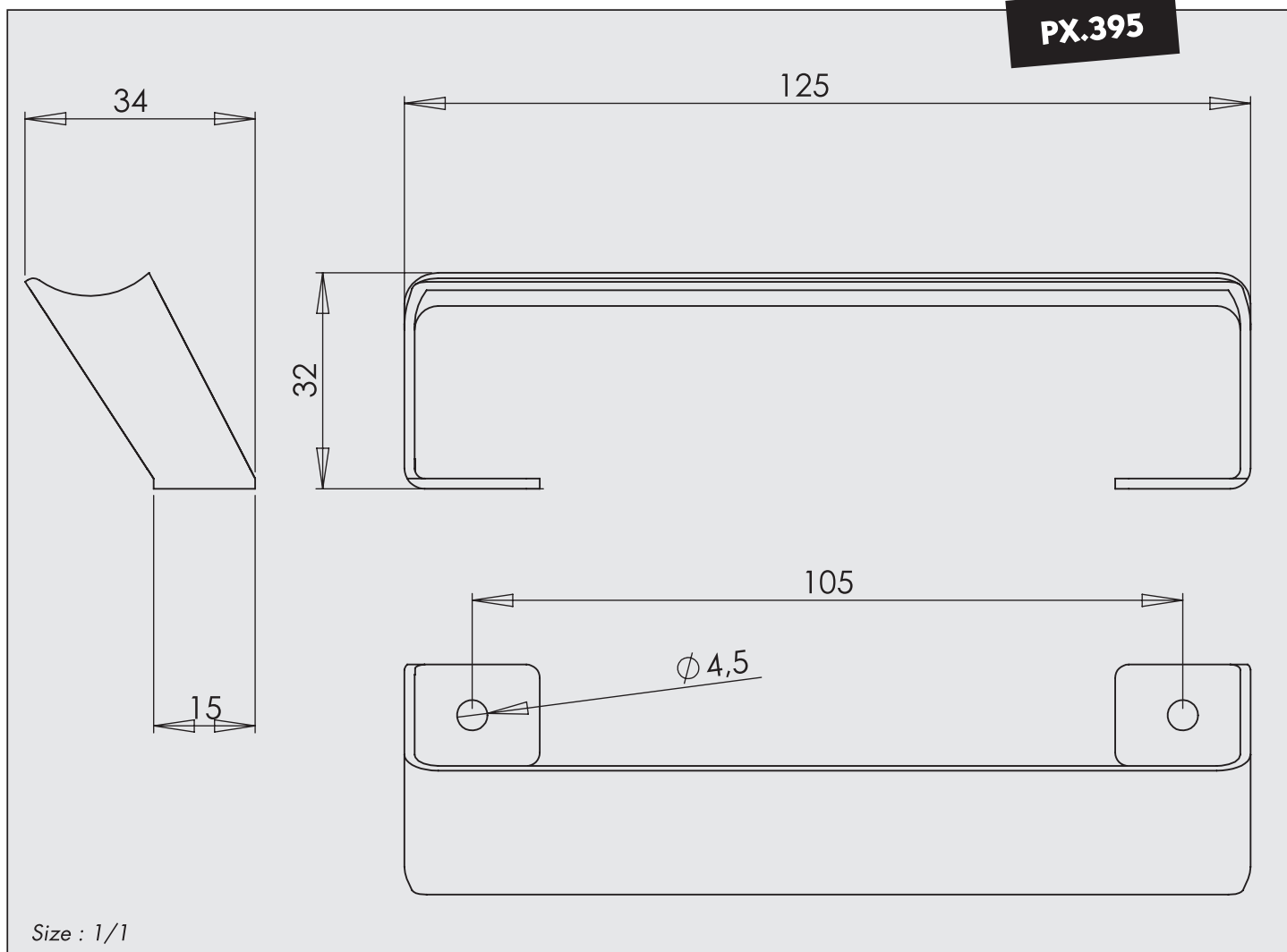
* References only produced on order

HANDLE



Pull handle

PX.395



MATERIAL	FINISH	FIXING	kg/100	REFERENCES
Steel	raw	without hole	4,400	PX.395-ABR*
Steel	white zinc plated	with holes	4,400	PX.395-ZI
Steel	yellow zinc plated	with holes	4,400	PX.395-ZB*
St. steel A2	raw	with holes	4,700	PX.395-IB

F3



2

0

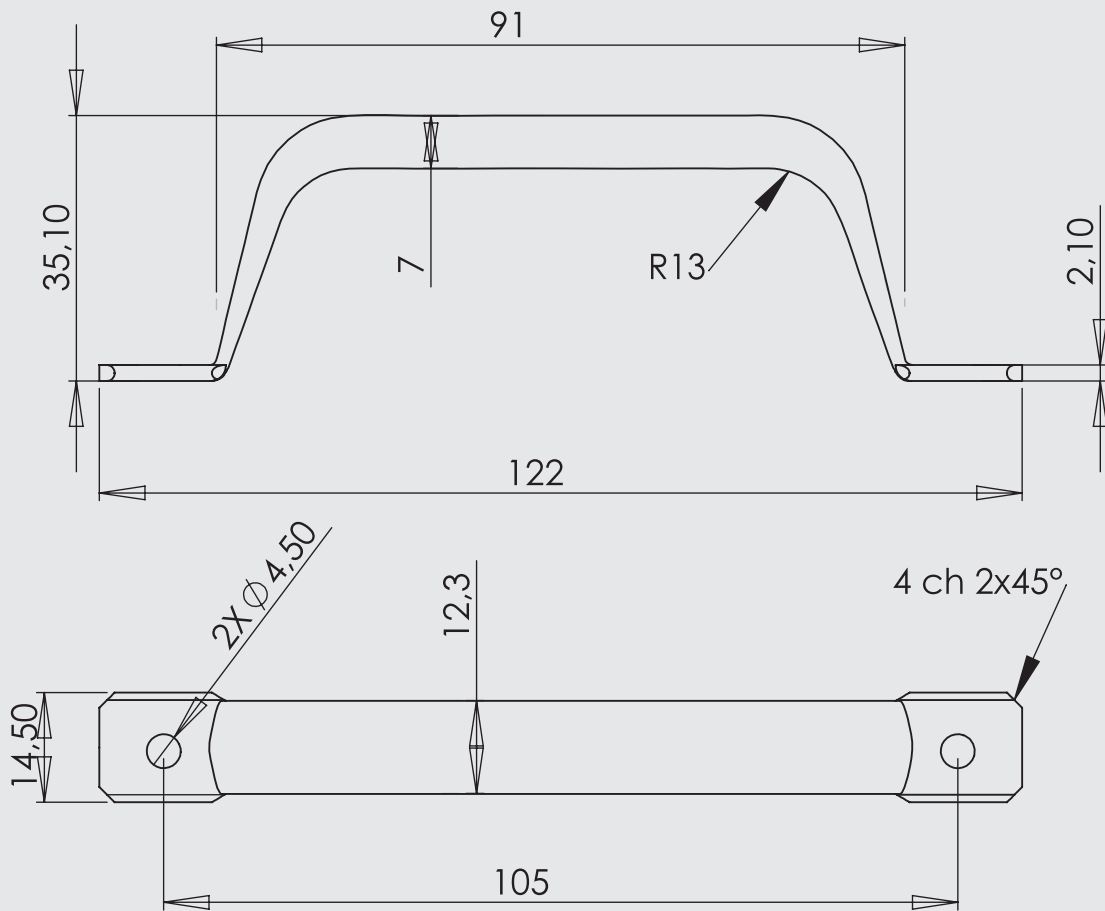
* References only produced on order

HANDLE



Pull handle

PX.396



Size : 1/1



MATERIAL	FINISH	FIXING	kg/100	REFERENCES
Steel	raw	with holes	3,200	PX.396-BR

F3  **3 0**

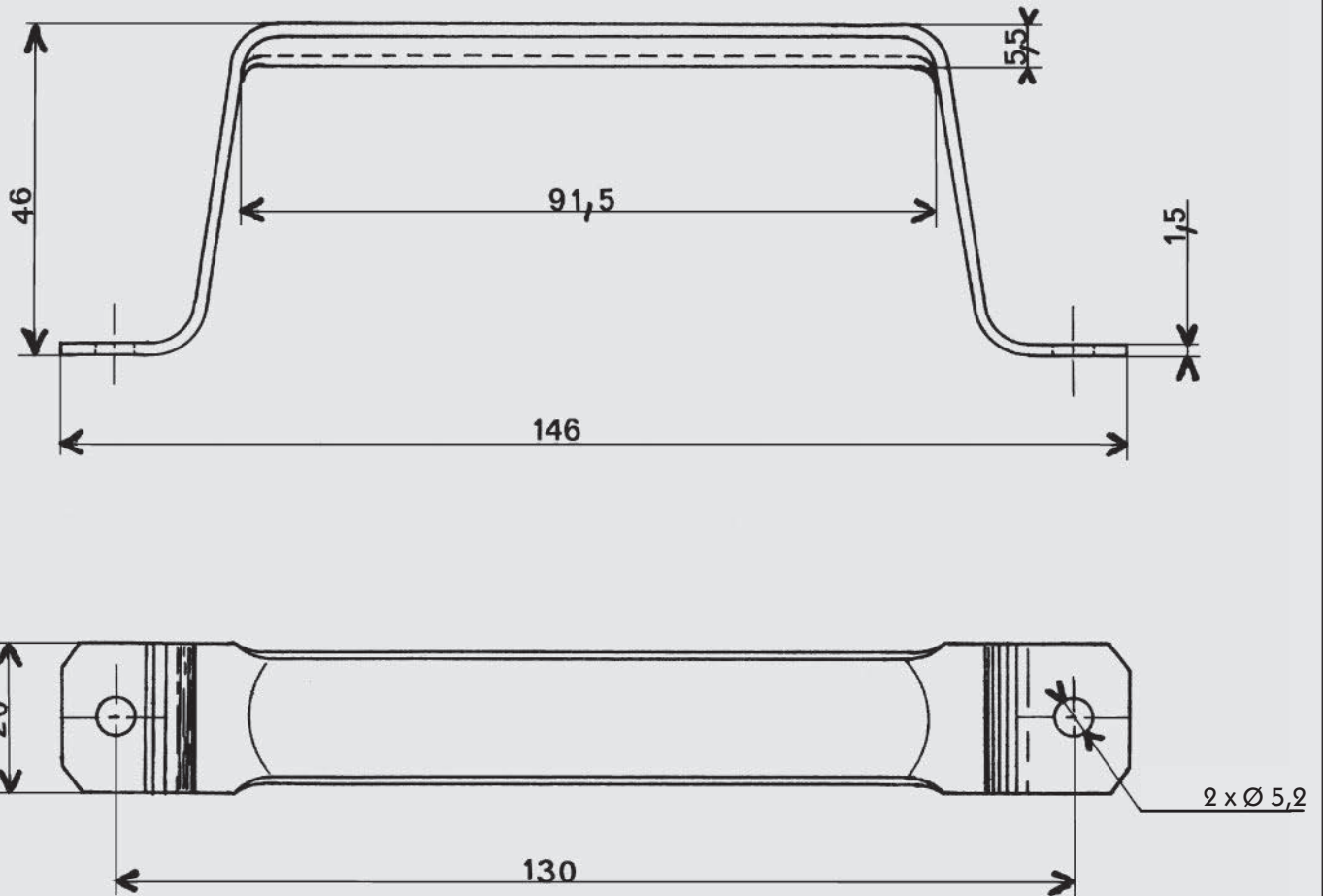
* References only produced on order

HANDLE



Pull handle

PX.397



Size : 1/1



MATERIAL	FINISH	FIXING	kg/100	REFERENCES
Steel	raw	without hole	4,947	PX.397-ABR*
Steel	white zinc plated	with holes	4,900	PX.397-ZI
Steel	yellow zinc plated	with holes	4,900	PX.397-ZB*
St. steel A2	raw	with holes	4,900	PX.397-IB

F3



4 0

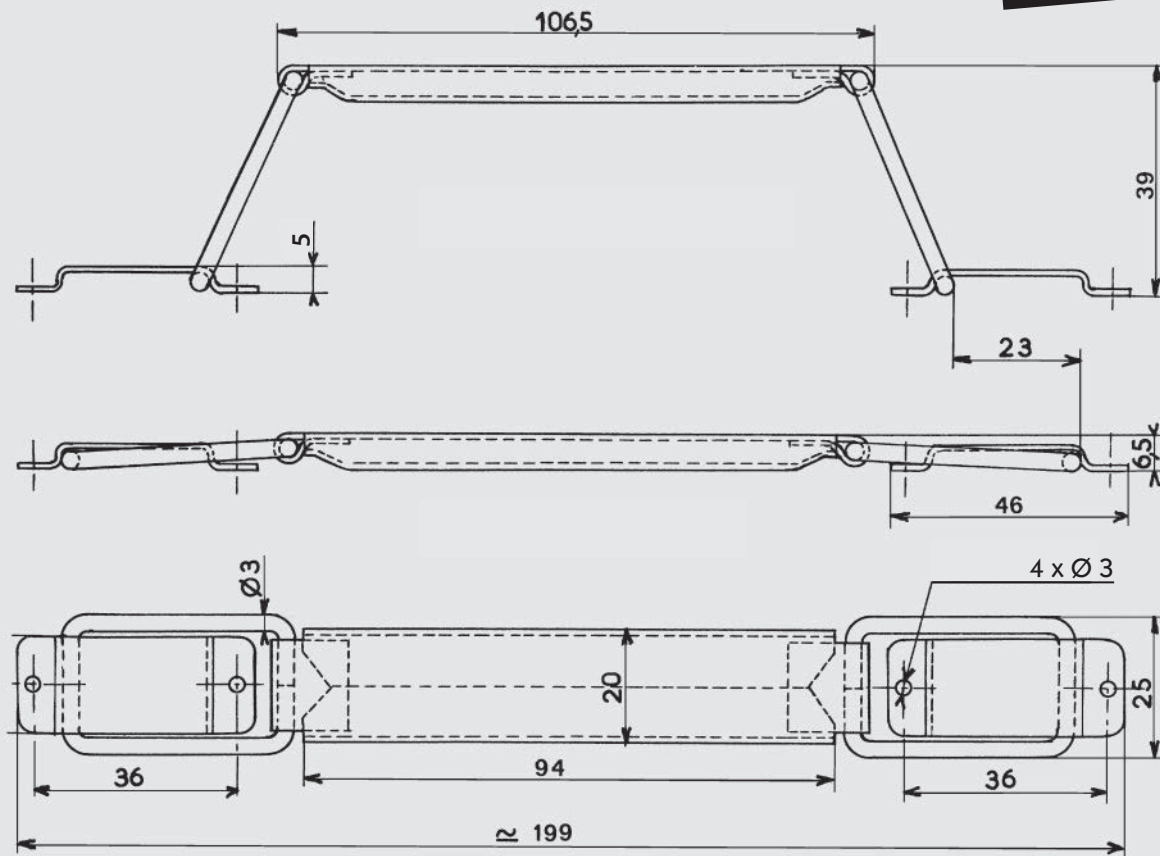
* References only produced on order

HANDLE



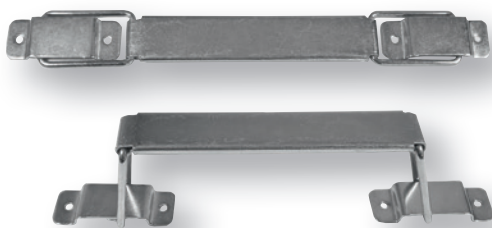
Standard carrying handle

PX.398



Size : 3/4

max = 10 kg



MATERIAL	FINISH	FIXING	kg/100	RING REFERENCES	REFERENCES PONTETS x 2
Steel	raw	with holes	6,300	PX.398-EBR	PX.398-BR
Steel	raw	without hole	6,350	PX.398-EBR	PX.398-ABR
Steel	white zinc plated	with holes	6,300	PX.398-EZI	PX.398-ZI
Steel	yellow zinc plated	with holes	6,300	PX.398-EZB*	PX.398-ZB*
Steel	chrome-plated	with holes	6,300	PX.398-ECH*	PX.398-CH*

F3 **5 0**

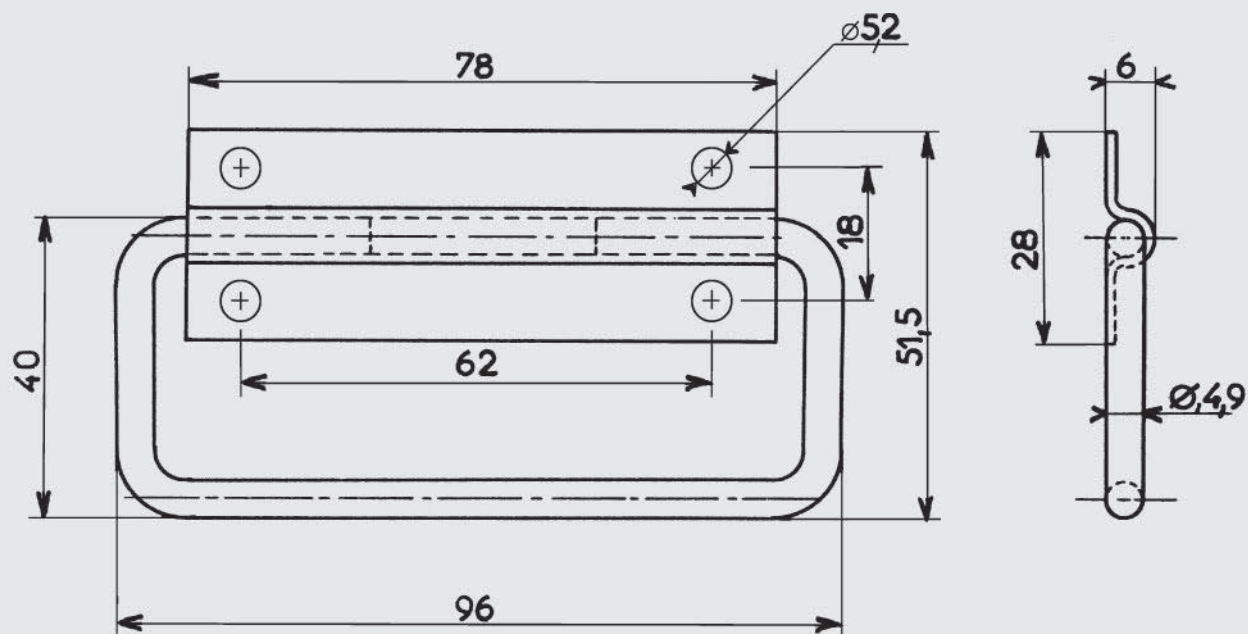
* References only produced on order

HANDLE



Standard carrying handle

PX.399

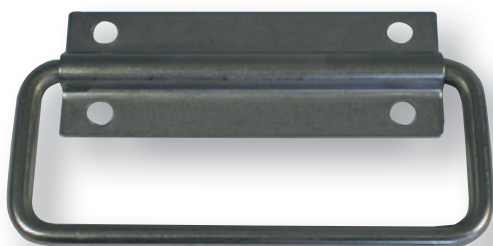



Size : 1/1

max = 10 kg

Description :

- Handle in 2 separates parts : ring + handle



MATERIAL	FINISH	FIXING	 kg/100	PLATE REFERENCES	RING REFERENCES
Steel	raw	without hole	4,900	PX.399A-BR	PX.399-EBR
Steel	raw	with holes	4,850	PX.399-BR	PX.399-EBR
Steel	white zinc plated	with holes	4,850	PX.399-ZI	PX.399-EZI
Steel	yellow zinc plated	with holes	4,850	PX.399-ZB*	PX.399-EZB*
St. steel A2	raw	with holes	4,850	PX.399-IB	PX.399-EIB

F3



6

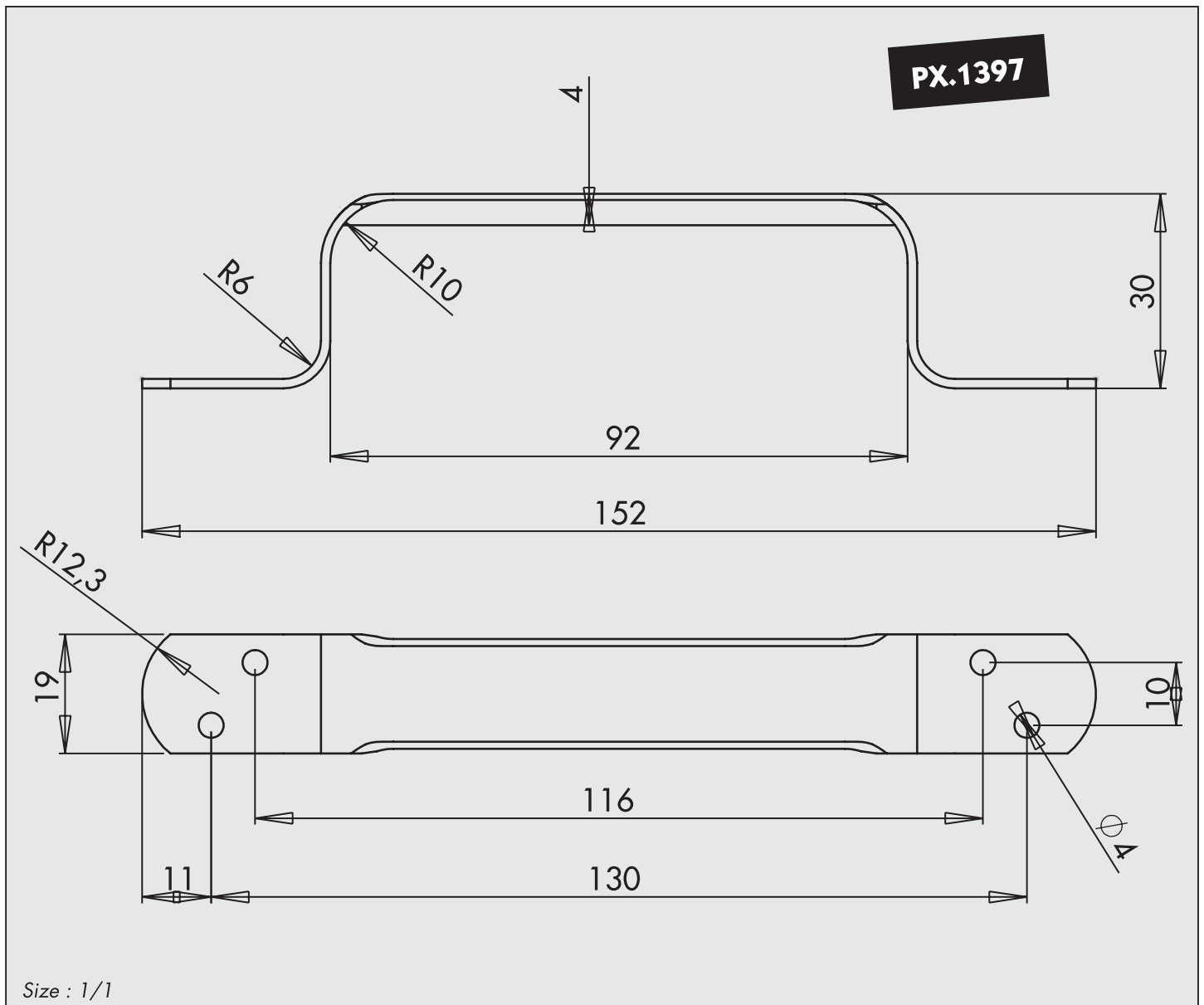
0

* References only produced on order

HANDLE



Pull handle

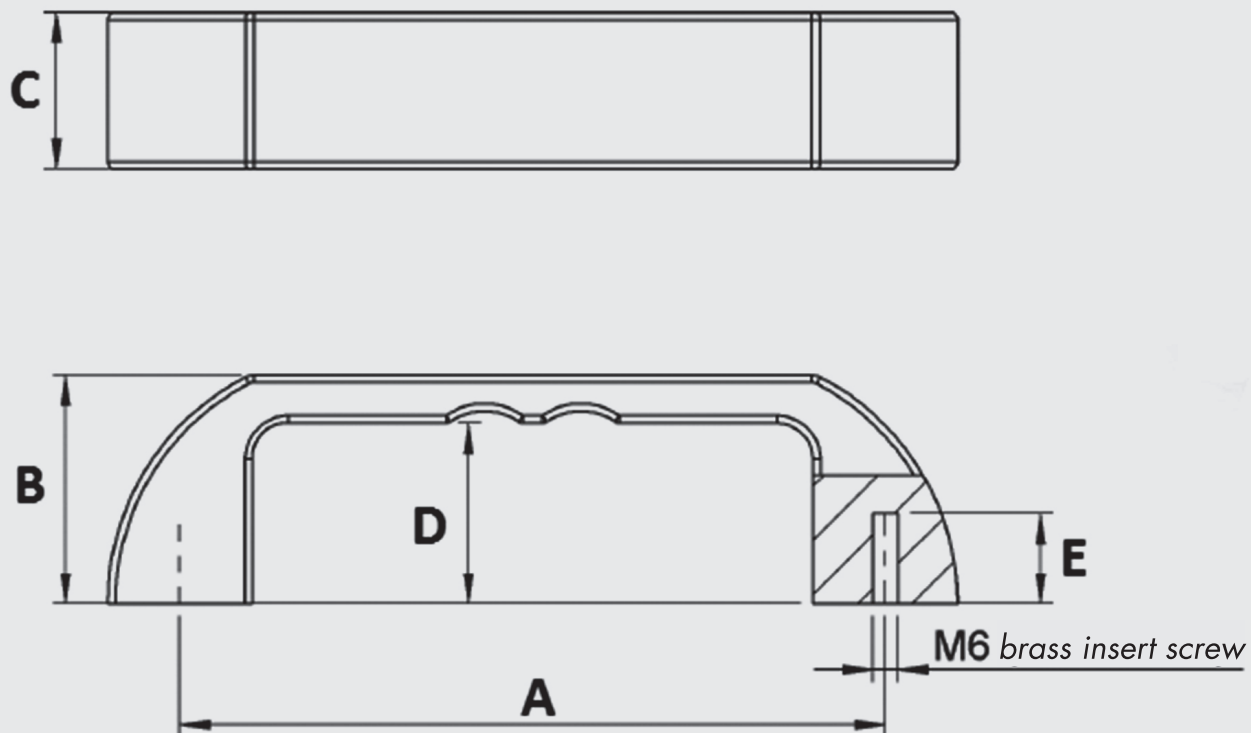


MATERIAL	FINISH	FIXING	kg/100	REFERENCES
Steel	raw	without hole	3,850	PX.1397-ABR*
Steel	raw	with holes	3,800	PX.1397-ZI
Steel	yellow zinc plated	with holes	3,800	PX.1397-ZB*
St. steel A2	raw	with holes	3,800	PX.1397-IB

F3  **7 0**

* References only produced on order

PT 92-117 IPO



Size : 1/1



Size : 1/2

A	B	C	D	E	MATERIAL	FINISH	REFERENCES	kg/100
92	38	22	30	10	Polyamid	Black	PT 92 IPO	0,8
117	42,5	26	30	12	Polyamid	Black	PT 117 IPO	0,9

F3

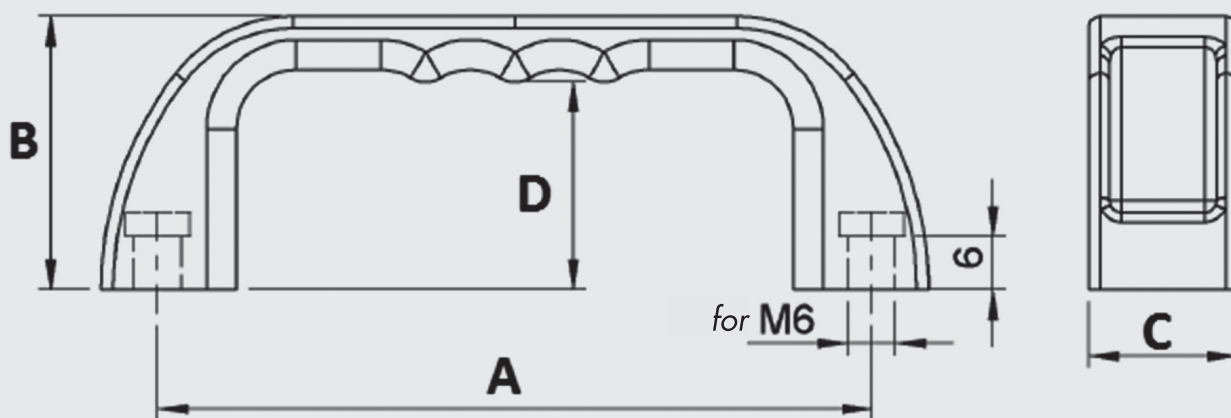
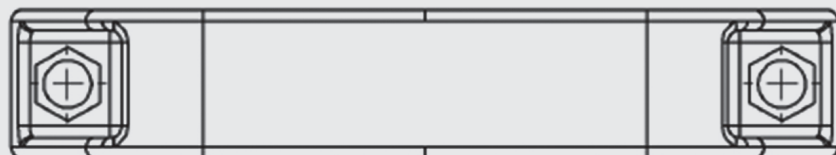


8

0

* References only produced on order

PT 92-120-150 PO



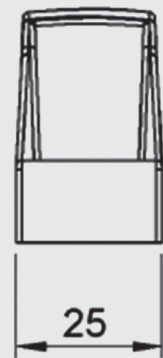
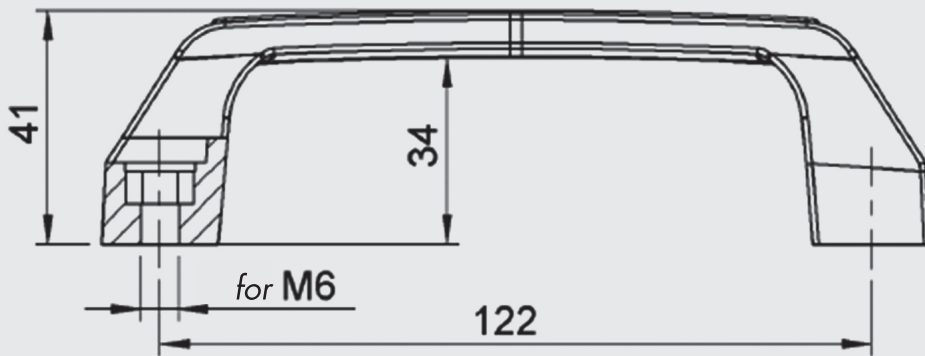
Size : 1/1



Size : 1/2

A	B	C	D	MATERIAL	FINISH	FIXING	REFERENCES	kg/100
92	40	22	30	Polyamid	Black	For M6 screws	PT 92 PO	0,8
120	46	25	35	Polyamid	Black	For M6 screws	PT 120 PO	0,9
120	46	25	35	Polyamid	Black	For countersunk M6 screws	PT 120 BPO*	0,9
150	55	26	45	Polyamid	Black	For M6 screws	PT 150 PO	0,95

PT 122 PO-BPO



Size : 1/1



Size : 1/2

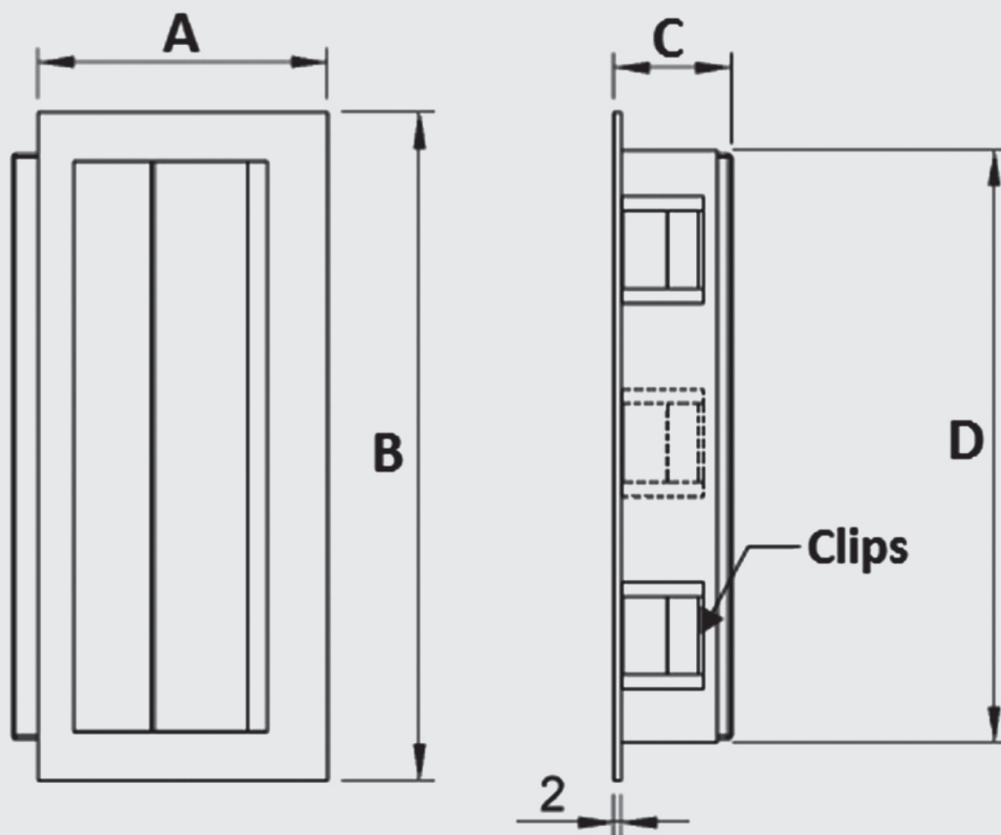
MATERIAL	FINISH	FIXING	REFERENCES	kg/100
Polyamid	Black	For M6 screws	PT 122 PO	0,9
Polyamid	Black	For countersunk M6 screws	PT 122 BPO*	0,9

HANDLE



Recessed Handle polyamid

PEC 3693-4094-57110-36137



Size : 1/1



Size : 1/2

A	B	C	D	FIXING	CUT OUT	MAX THICKNESS	MATERIAL	FINISH	REFERENCES
36,3	93,5	19	87	2 clips	87,5x30,7	2,5	Polyamid	Black	PEC 3693 PO
40,5	93,5	19	83,2	2 clips	84x35	3	Polyamid	Black	PEC 4094 PO
57,5	110,5	28	98,2	3 clips	99,5x49	3	Polyamid	Black	PEC 57110 PO
36,5	137,5	19	131,3	2 clips	132x30,6	1,8	Polyamid	Black	PEC 36137 PO

F4



1

0

* References only produced on order

HANDLE

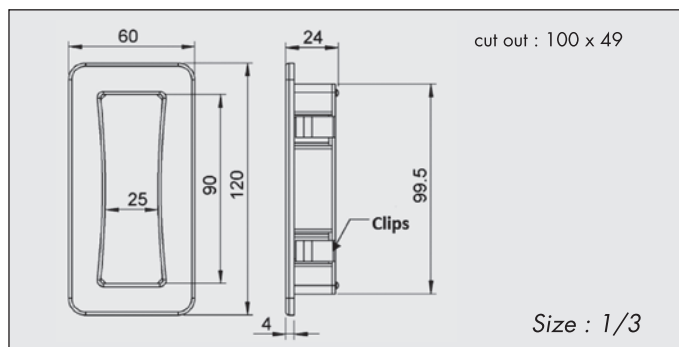


Recessed Handle polyamid

PEC 60120 PO



Size : 1/2

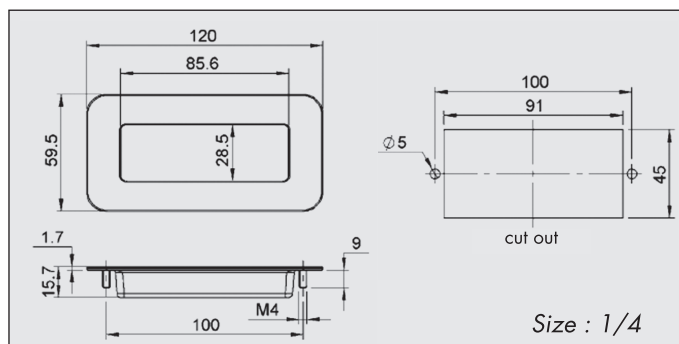


MAX THICKNESS	MATERIAL	FINISH	REFERENCES
3	Polyamid	Black	PEC 60120 PO

PEC 60120 IB



Size : 1/2

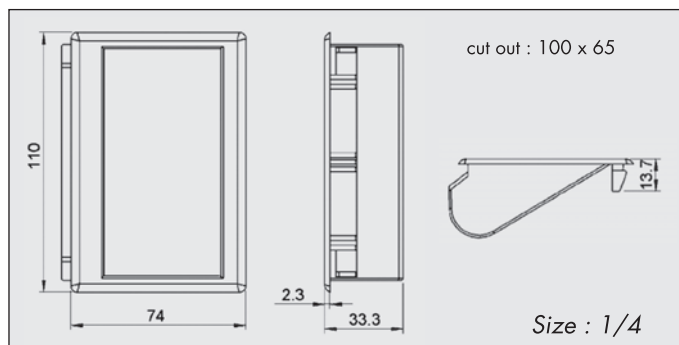


MAX THICKNESS	MATERIAL	FINISH	REFERENCES
—	Steel	white zinc plated	PEC 60120 IB

PEC 74110 PO



Size : 1/2



MAX THICKNESS	MATERIAL	FINISH	REFERENCES
3	Polyamid	Black	PEC 74110 PO

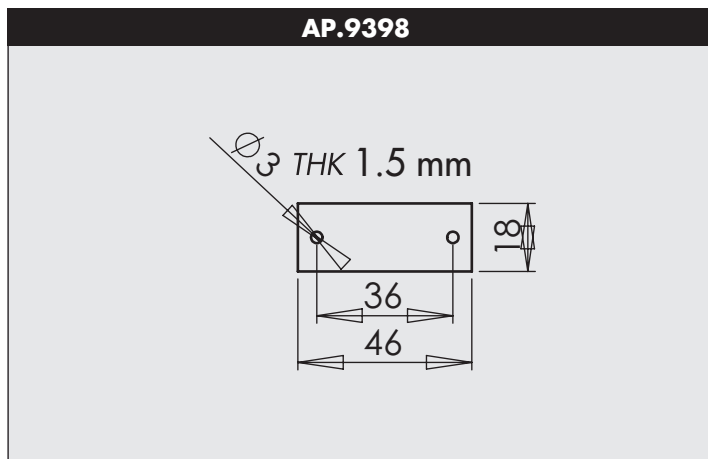
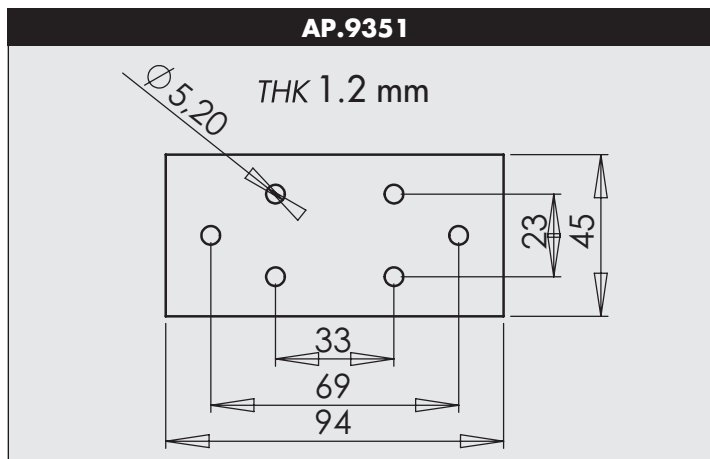
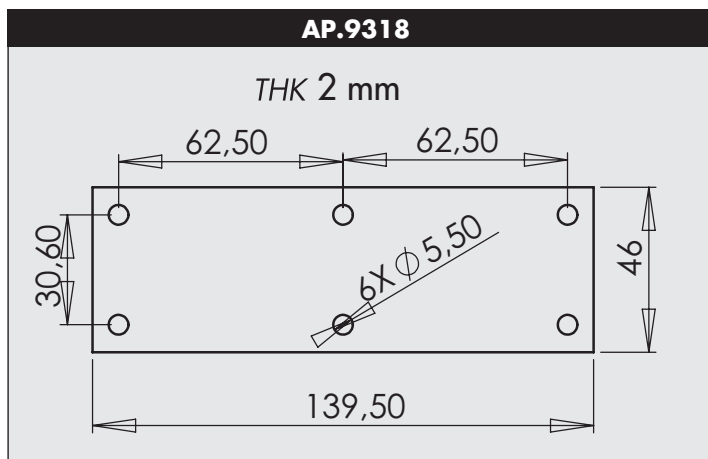
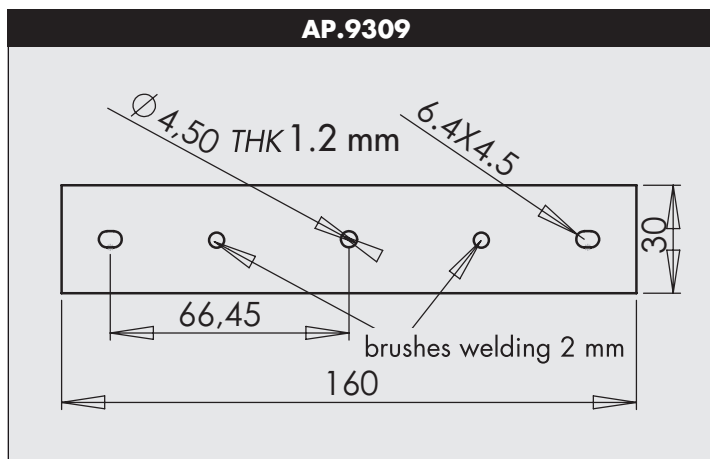
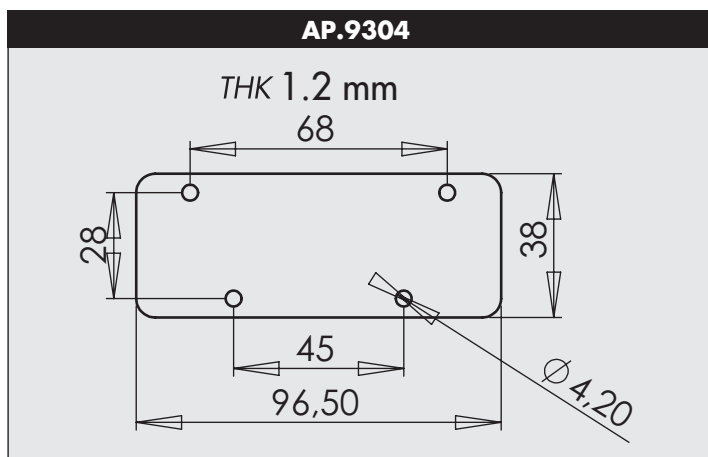
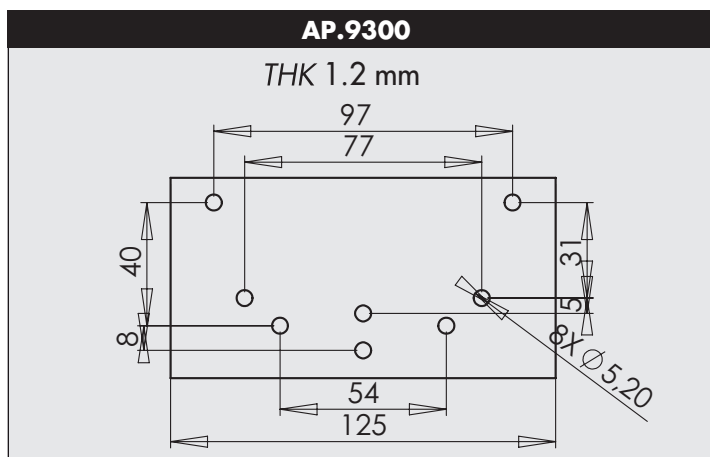
F4



2

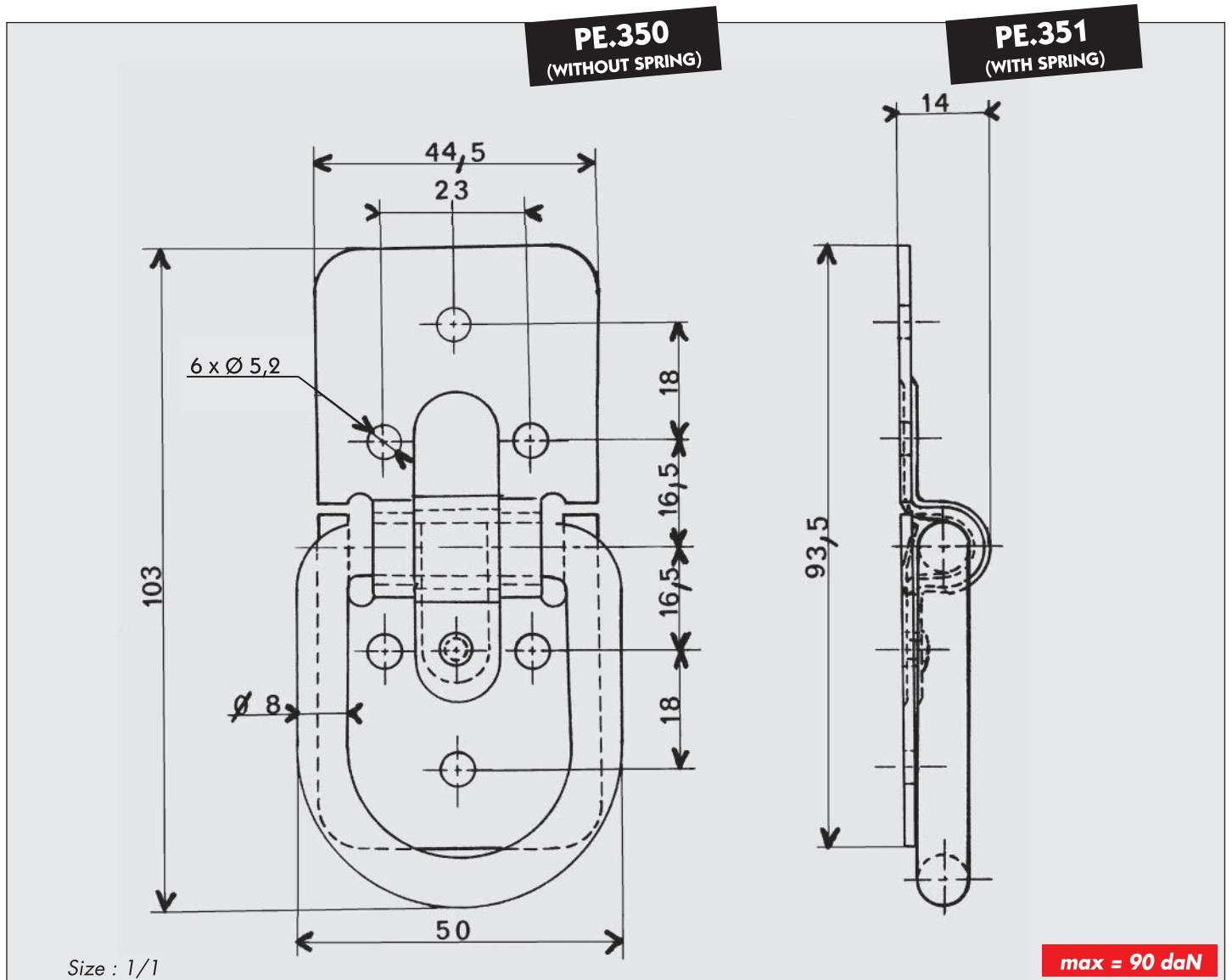
0

* References only produced on order



Using back plates is necessary for the fixing in soft material (like wood...)

MATERIAL	FINISH	REFERENCES	CAN BE USE WITH HANDLES REFERENCES
Steel	white zinc plated	AP.9300-ZI	PO.300 - PO.301 - PR.302 - PR.303 - PR.352
Steel	yellow zinc plated	AP.9300-ZB*	PO.300 - PO.301 - PR.302 - PR.303 - PR.352
Steel	white zinc plated	AP.9304-ZI	PO.304 - PR.305
Steel	yellow zinc plated	AP.9304-ZB*	PO.304 - PR.305
Steel	white zinc plated	AP.9309-ZI	PO.309
Steel	yellow zinc plated	AP.9309-ZB*	PO.309
Steel	white zinc plated	AP.9318-ZI	PO.318
Steel	yellow zinc plated	AP.9318-ZB*	PO.318
Steel	white zinc plated	AP.9351-ZI	PE.350 - PE.351
Steel	yellow zinc plated	AP.9351-ZB*	PE.350 - PE.351
Steel	white zinc plated	AP.9398-ZI	PX.398
Steel	yellow zinc plated	AP.9398-ZB*	PX.398



Description :

- PE 351 is maintain 90° position with the spring.



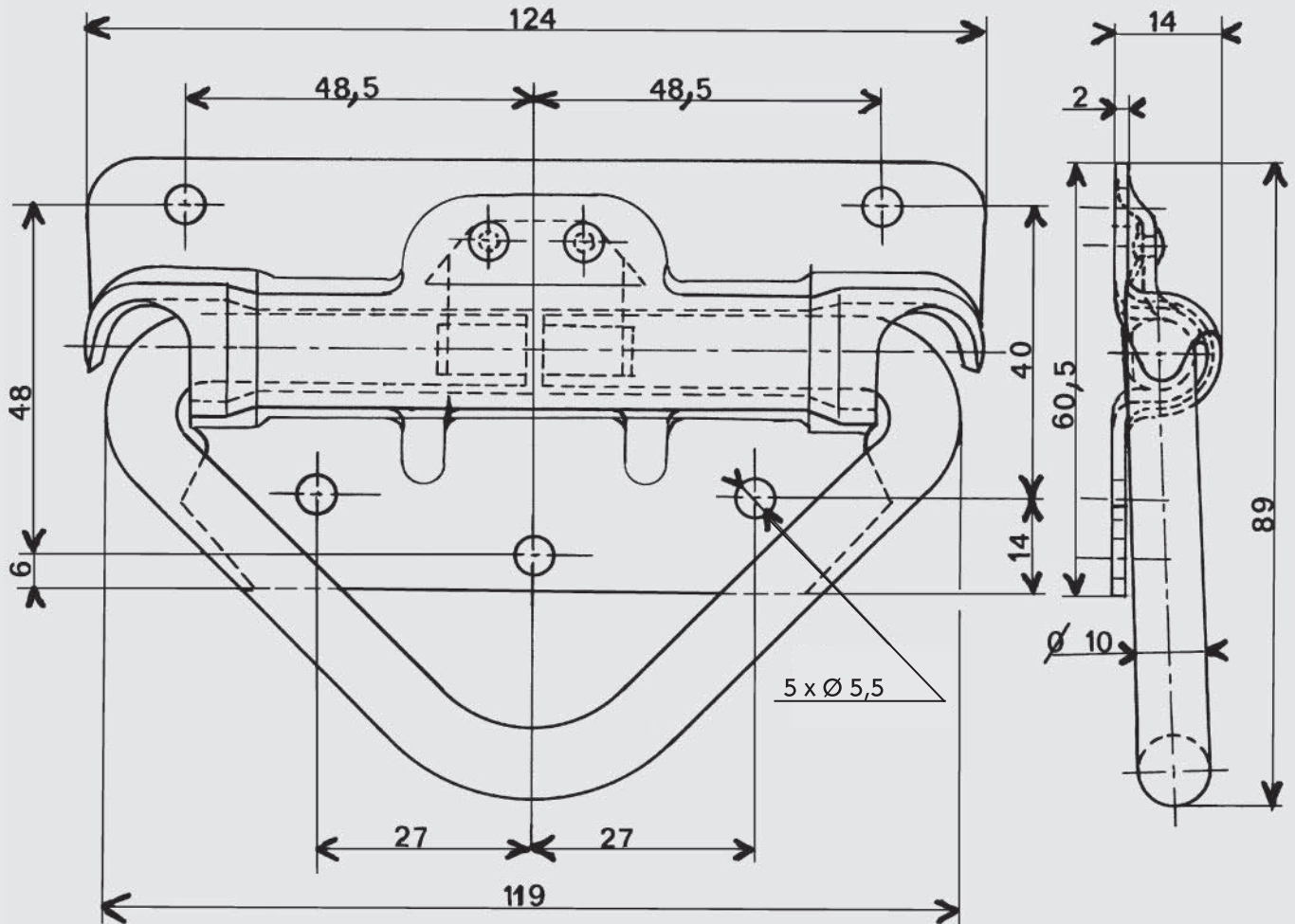
MATERIAL	FINISH	FIXING	kg/100	REFERENCES	kg/100	REFERENCES
Steel	white zinc plated	with holes	12,940	PE.350-ZI	13,100	PE.351-ZI
Steel	yellow zinc plated	with holes	12,940	PE.350-ZB*	13,100	PE.351-ZB*
St. steel A2	raw	with holes	12,940	PE.350-IB*	13,100	PE.351-IB

SLINGING HANDLE



With 90° stop


PE.352



Size : 1/1

max = 70 daN



MATERIAL	FINISH	FIXING	 kg/100	REFERENCES
Steel	white zinc plated	with holes	28,100	PE.352-ZI
Steel	yellow zinc plated	with holes	28,100	PE.352-ZB*
St. steel A2	raw	with holes	28,100	PE.352-IB
St. steel A2	pasivated	with holes	28,100	PE.352-IA*

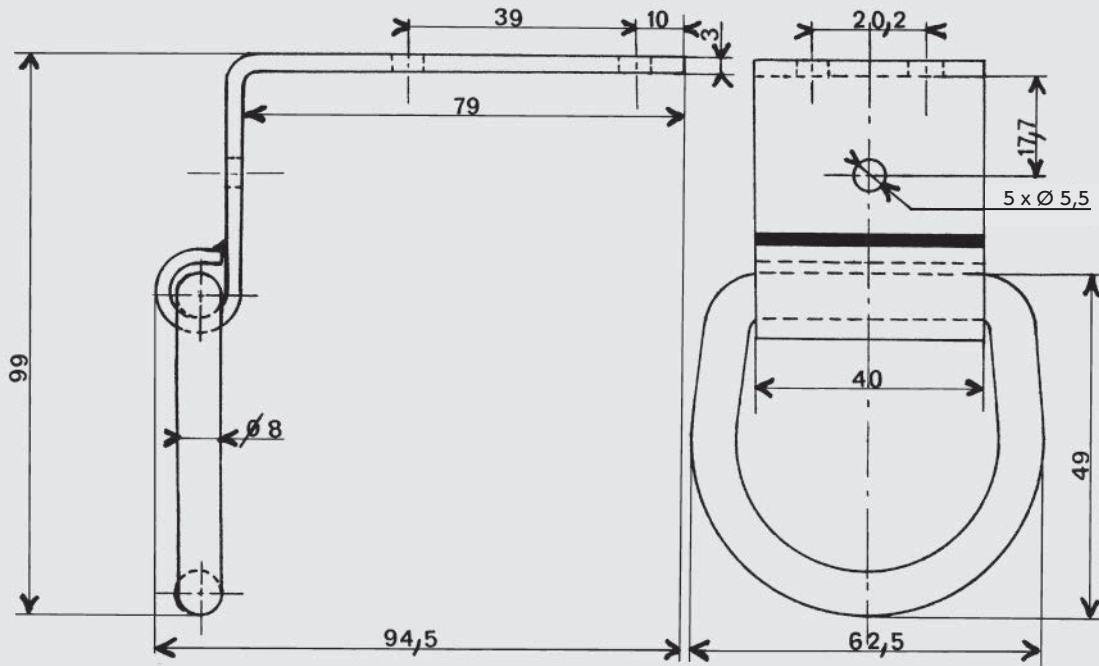
G1



2 0

* References only produced on order

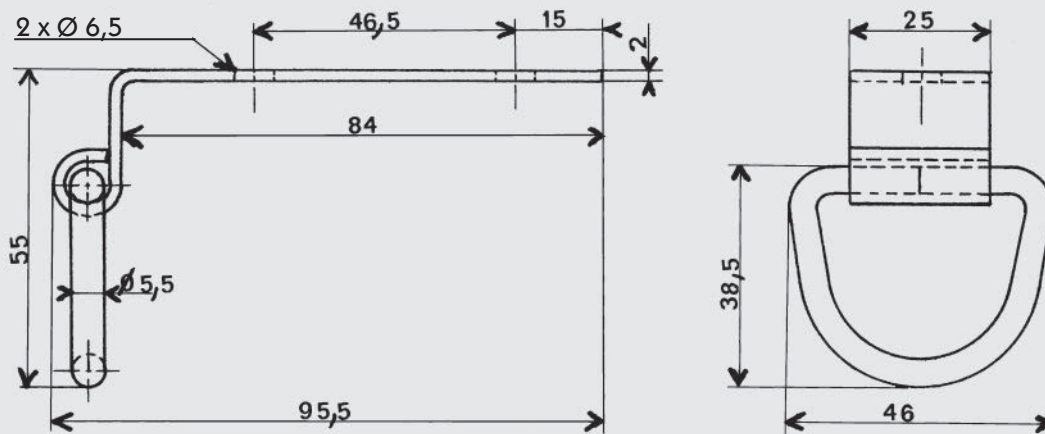
PE.353



Size : 3/4

MATERIAL	FINISH	FIXATION	kg/100	REFERENCES
Steel	white zinc plated	with holes	21,000	PE.353-ZI
Steel	yellow zinc plated	with holes	21,000	PE.353-ZB*
St. steel A2	raw	with holes	21,000	PE.353-IB*

PE.354



Size : 3/4

MATERIAL	FINISH	FIXING	kg/100	REFERENCES
Steel	white zinc plated	with holes	7,200	PE.354-ZI
Steel	yellow zinc plated	with holes	7,200	PE.354-ZB*
St. steel A2	raw	with holes	7,200	PE.354-IB*

G1



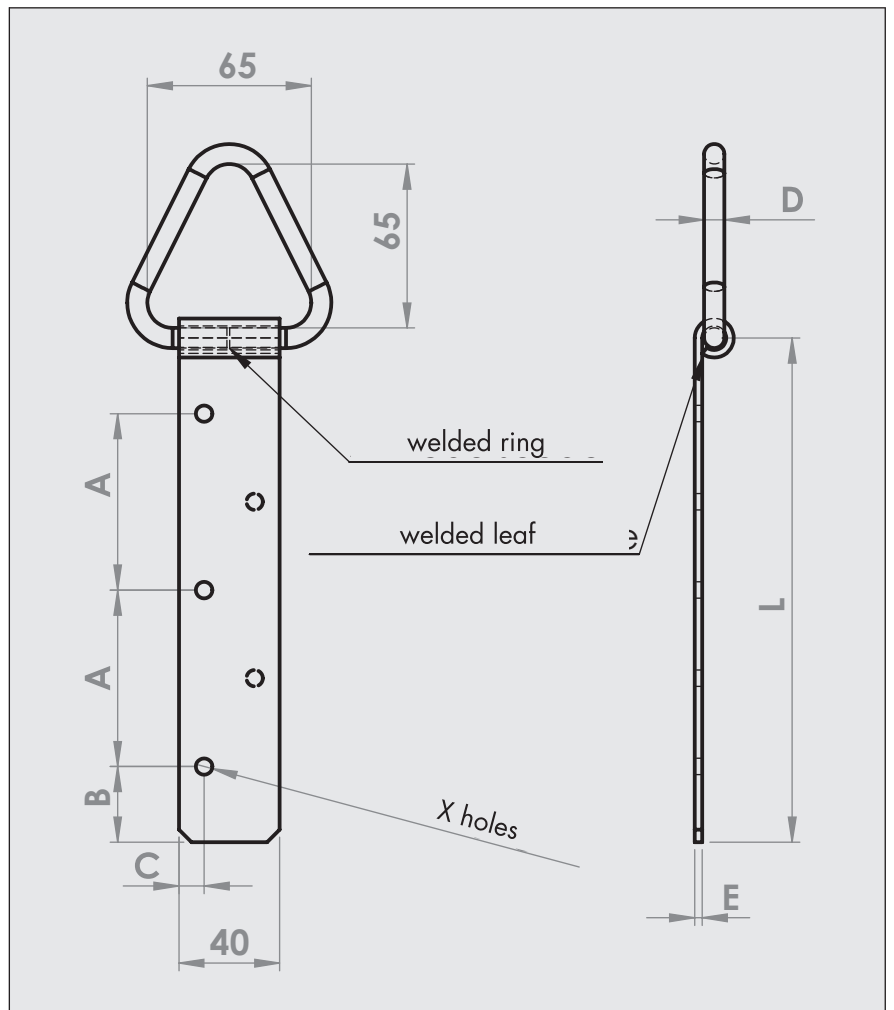
3 0

* References only produced on order

SLINGING HANDLE



with long plate



REFERENCE	L (mm)	D (mm)	E (mm)	HOLES	A (mm)	B (mm)	C (mm)
29427 ZI	150	6	2	3 x Ø 5 centered	35	40	20
29882 ZI	200	8	3	5 x Ø 6,5 offset	70	30	10
27968 ZI	160	10	4	2 x Ø 8,5 centered	80	40	20

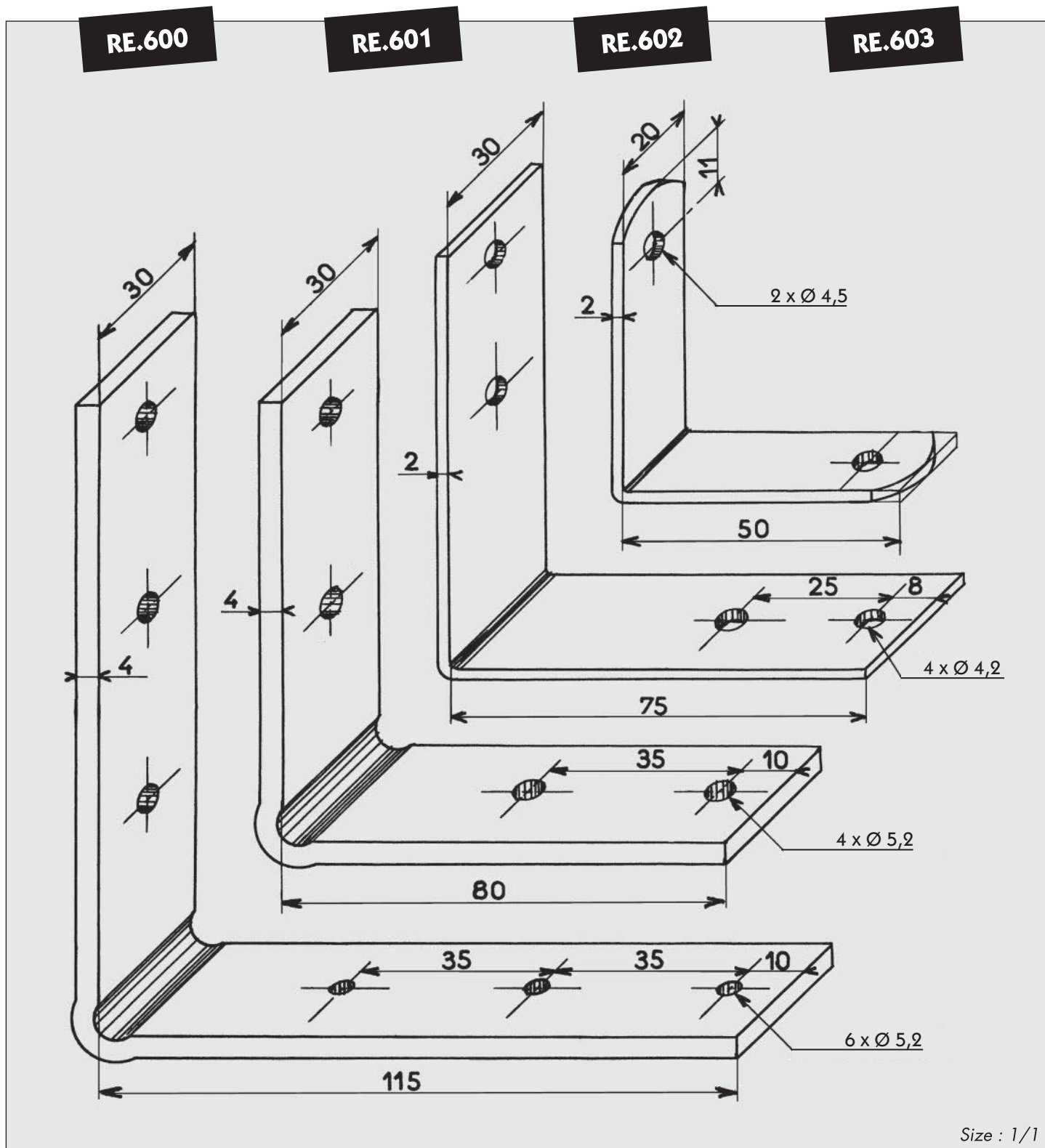
G1



4

0

* References only produced on order



Size : 1/1

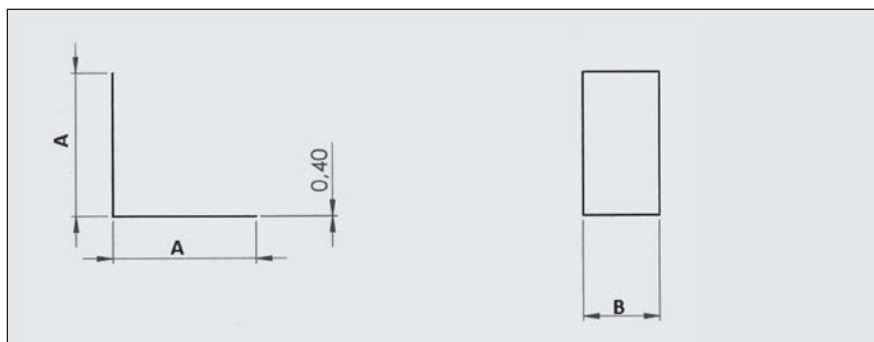
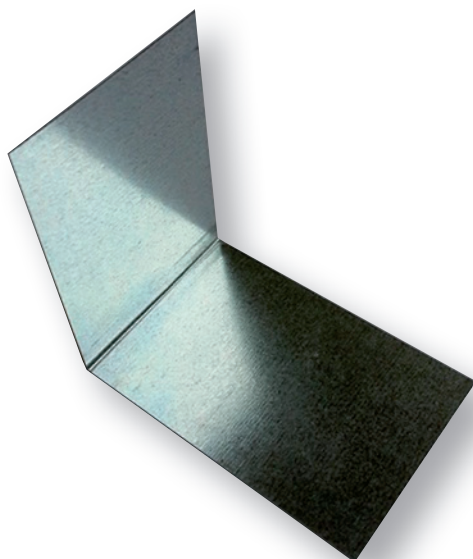
FINITION	WIDTH 115	WIDTH 80	WIDTH 75	WIDTH 50
Steel raw	RE.600-BR	RE.601-BR	RE.602-BR	RE.603-BR
Steel white zinc plated	RE.600-ZI	RE.601-ZI	RE.602-ZI	RE.603-ZI
Steel yellow zinc plated	RE.600-ZB*	RE.601-ZB*	RE.602-ZB*	RE.603-ZB*
St. steel A2 raw	RE.600-IB*	RE.601-IB*	RE.602-IB*	RE.603-IB*
kg/100	22,000	15,000	7,000	3,000

BRACKET



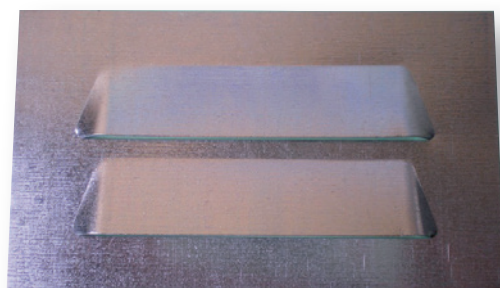
90° brackets and air vents

RE 620 à 627

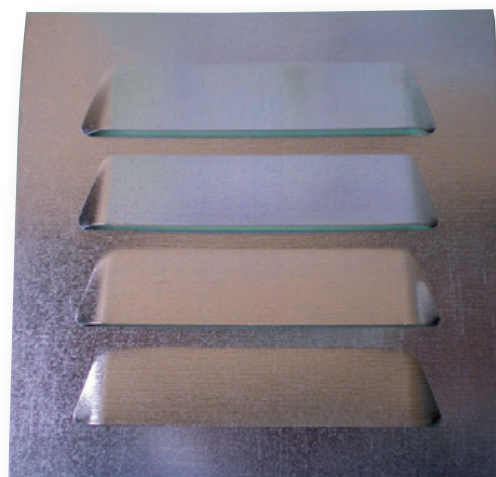


A	B	MATERIAL	FINISH	kg/100	REFERENCE
200	100	Steel	galvanized	15,8	RE 620 AGA
150	80	Steel	galvanized	9,4	RE 621 AGA
90	60	Steel	galvanized	4,5	RE 623 AGA
200	150	Steel	galvanized	24	RE 622 AGA*
200	80	Steel	galvanized	12,5	RE 624 AGA*
180	100	Steel	galvanized	14	RE 625 AGA*
100	80	Steel	galvanized	5,9	RE 626 AGA*
100	100	Steel	galvanized	8	RE 627 AGA*

GA 750



GA 751



number of vents	FIXING	SIZES	THICKNESS	MATERIAL	REFERENCE
2	undrilled	86x144	0,4	Galvanized steel	GA 750 AGA
2	4 holes	86x144	0,4	Galvanized steel	GA 750 GA*
4	undrilled	144x144	0,4	Galvanized steel	GA 751 AGA
4	4 holes	144x144	0,4	Galvanized steel	GA 751 GA*
4	Undrilled	144x144	0,4	Galvanized steel + mosquito screen	GA 751 EGA

G2



2 0

* References only produced on order

BRACKET



Angle slinging

PE 370

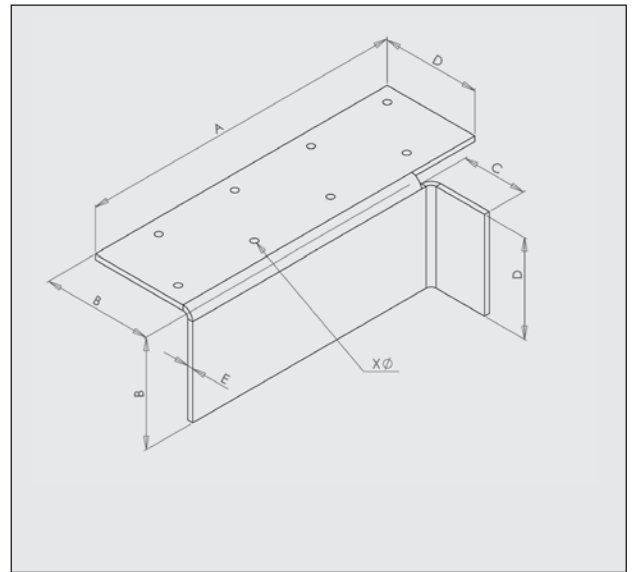
PE 371

PE 372

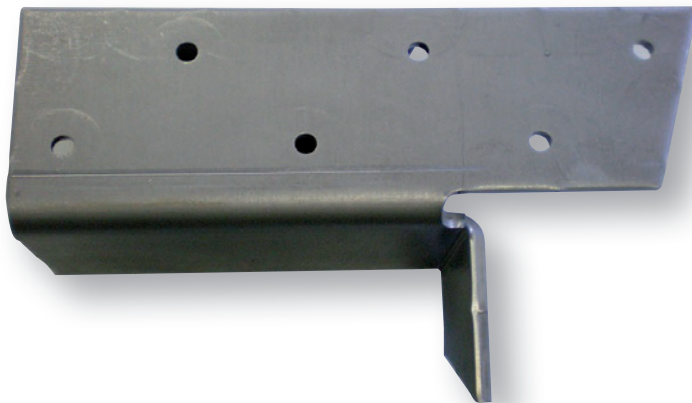
PE 373

PE 377

PE 378



PE 374



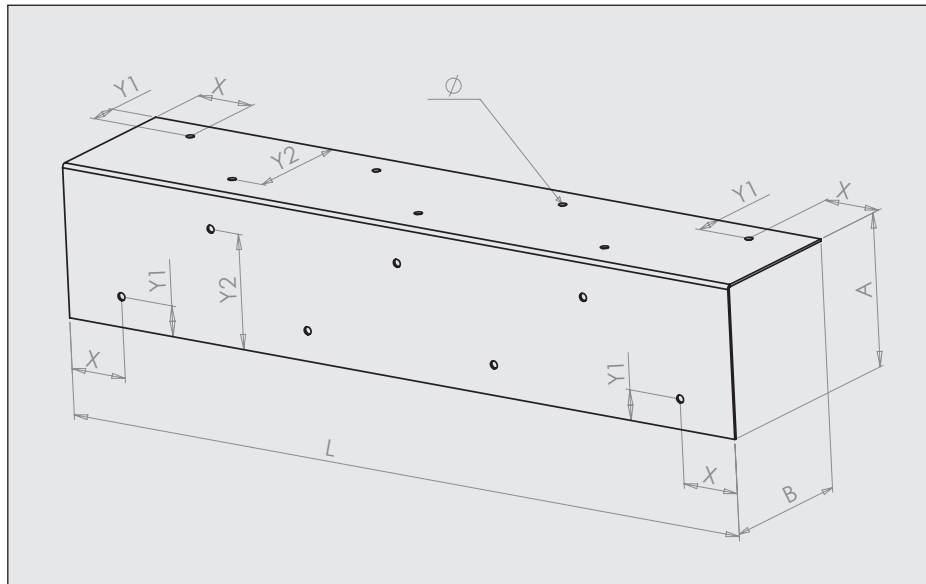
A	B	C	D	E	HOLES	MATERIAL	FINISH	kg/100	Reference Right model	Reference Left model
145	50	45	40	5	4x5,2	Steel	Raw	50	PE 370 DBR	PE 370 GBR
200	70	85	85	5	6x6,5	Steel	Raw	100	PE 372 DBR	PE 372 GBR
200	80	40	75	1,5	6x4,2	Steel	Raw	38	PE 377 DBR	PE 377 GBR
208	80	40	75	3	6x4,2	Steel	Raw	78	PE 378 DBR	PE 378 GBR
210	70	55	60	5	6x6,5	Steel	Raw	104	PE 374 DBR	PE 374 GBR
300	100	60	90	5	8x6,5	Steel	Raw	202	PE 373 DBR	PE 373 GBR
330	75	60	90	5	9x6,5	Steel	Raw	169	PE 371 DBR	PE 371 GBR
400	160	86	178	6	12xØ7,2	Steel	Raw	552	PE 375 DBR	PE 375 GBR
600	160/200	80	140	10	8xØ12,1	Steel	Raw	1423	PE 384 DBR	PE 384 GBR
600	200	100	170	15	8xØ18,8	Steel	Raw	2114	30051 DBR	30051 GBR

G3



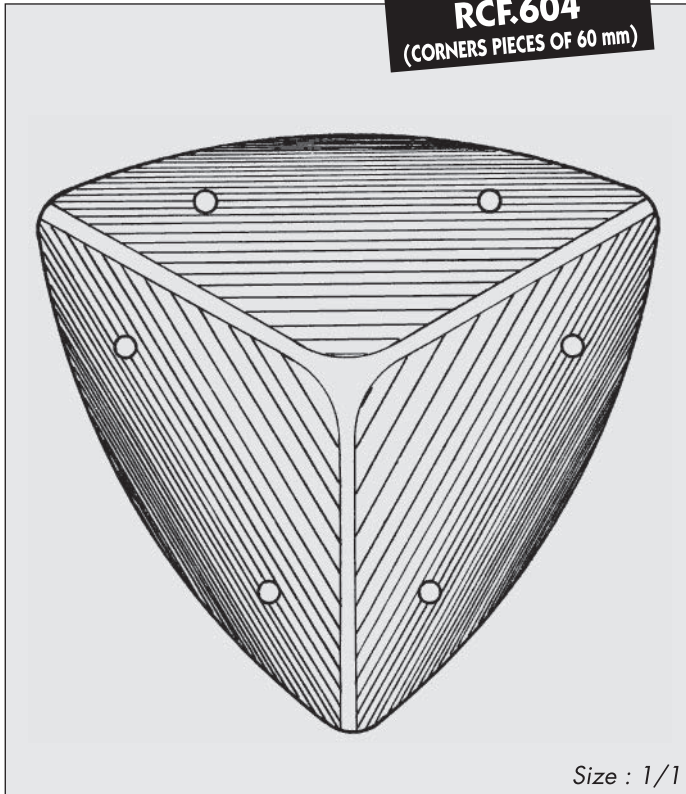
1 0

* References only produced on order



References	MATERIAL FINISH	L (mm)	E (mm)	A side					B side				
				A (mm)	Holes A side	X (mm)	Y1 (mm)	Y2 (mm)	B (mm)	Holes B side	X (mm)	Y1 (mm)	Y2 (mm)
30141 BR	Raw Steel	210	1,5	50	3xØ5 centered	30	25	—	50	3xØ5 centered	30	25	—
30142 BR	Raw Steel	320	1,5	50	3xØ5 centered	30	25	—	50	3xØ5 centered	30	25	—
30143 BR	Raw Steel	380	1,5	50	5xØ5 offset	30	30	35	50	5xØ5 offset	30	30	35
30144 BR	Raw Steel	700	1,5	50	7xØ5 offset	30	30	35	50	7xØ5 offset	30	30	35
RE 656 GA	Galvanised Steel	400	1,5	100	5xØ5,2 offset	40	20	75	100	5xØ5,2 offset	40	20	75
RE 650 GA	Galvanised Steel	500	1,5	100	7xØ5,2 offset	40	20	75	100	7xØ5,2 offset	40	20	75
RE 651 GA	Galvanised Steel	600	1,5	100	7xØ5,2 offset	40	20	75	100	7xØ5,2 offset	40	20	75
RE 652 GA	Galvanised Steel	700	1,5	100	9xØ5,2 offset	40	20	75	100	9xØ5,2 offset	40	20	75
RE 653 GA	Galvanised Steel	800	1,5	100	9xØ5,2 offset	40	20	75	100	9xØ5,2 offset	40	20	75
29711 BR	Raw Steel	600	4	120	4xØ7,2 centered	25,5	20	—	80	3xØ7,2 centered	25,5	20	—
29142 BR	Raw Steel	1000	4	120	6xØ7,2 centered	50	30	—	80	6xØ7,2 centered	50	30	—
29810 BR	Raw Steel	1000	6	120	6xØ7,2 centered	50	30	—	80	6xØ7,2 centered	50	30	—

RCF.604
(CORNERS PIECES OF 60 mm)



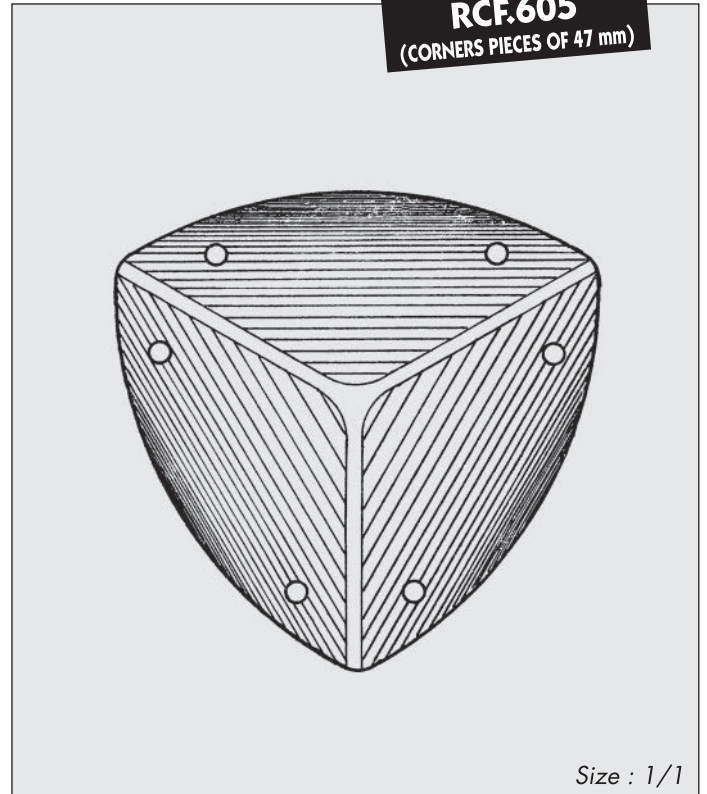
Size : 1/1

MATERIAL FINISH	REFERENCES	kg/100
Steel raw	RCF.604-BR	7,700
Steel white zinc plated	RCF.604-ZI	7,700
Steel yellow zinc plated	RCF.604-ZB*	7,700

Description :

- Steel of 12/10th, 6 holes of Ø 2,9 mm.

RCF.605
(CORNERS PIECES OF 47 mm)



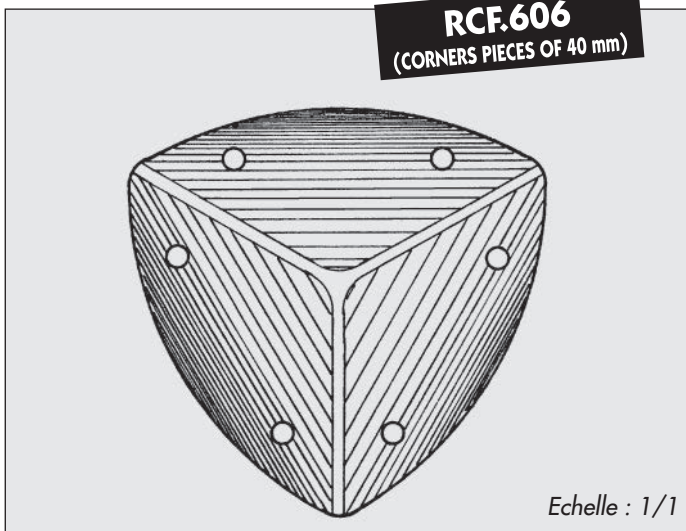
Size : 1/1

MATERIAL FINISH	REFERENCES	kg/100
Steel raw	RCF.605-BR	4,100
Steel white zinc plated	RCF.605-ZI	4,100
Steel yellow zinc plated	RCF.605-ZB*	4,100

Description :

- Steel of 12/10th, 6 holes of Ø 2,4 mm.

RCF.606
(CORNERS PIECES OF 40 mm)

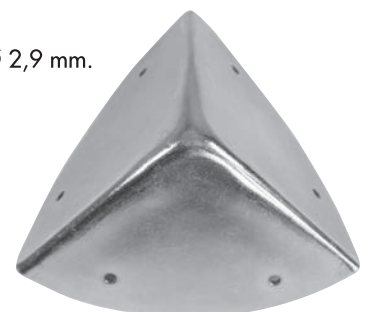


Echelle : 1/1


MATERIAL FINISH	REFERENCES	kg/100
Steel raw	RCF.606-BR	2,750
Steel white zinc plated	RCF.606-ZI	2,750
Steel yellow zinc plated	RCF.606-ZB*	2,750

Description :

- Steel of 10/10th, 6 holes of Ø 2,9 mm.



DOCUMENT HOLDER OF 95X50


MATERIAL FINISH	FIXING	REFERENCES
Steel raw	with holes	EA.700-BR
Steel raw	without hole	EA.700A-BR
Steel white zinc plated	with holes	EA.700-ZI*
Steel yellow zinc plated	with holes	EA.700-ZB*
St. steel A2 raw	with holes	EA.700-IB*
 kg/100		1,500

Description :

- Metal of 8/10th, openwork of 70 x 38,
- drilling : 4 holes \varnothing 2,2 mm.

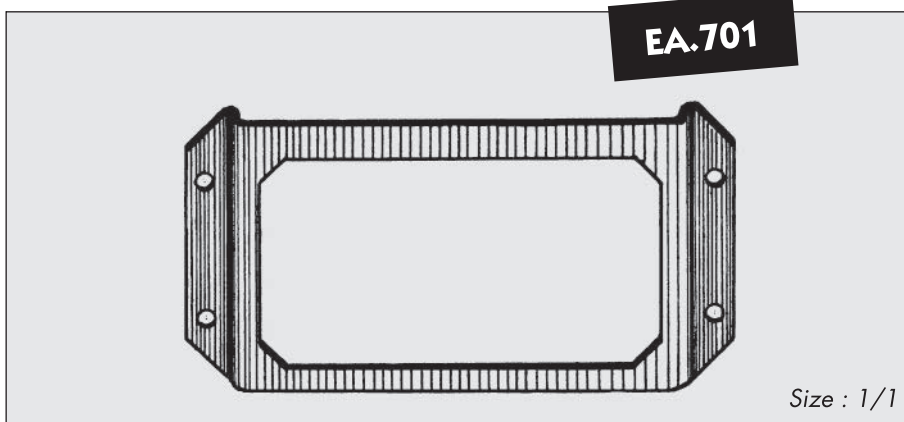


DOCUMENT HOLDER OF 72X35


MATERIAL FINISH	FIXING	REFERENCES
Steel raw	with holes	EA.701-BR
Steel raw	without hole	EA.701A-BR
Steel white zinc plated	with holes	EA.701-ZI*
Steel yellow zinc plated	with holes	EA.701-ZB*
St. steel A2 raw	with holes	EA.701-IB*
 kg/100		0,800

Description :

- Metal of 6/10th, openwork of 53 x 27,
- drilling : 4 holes \varnothing 2,2 mm.

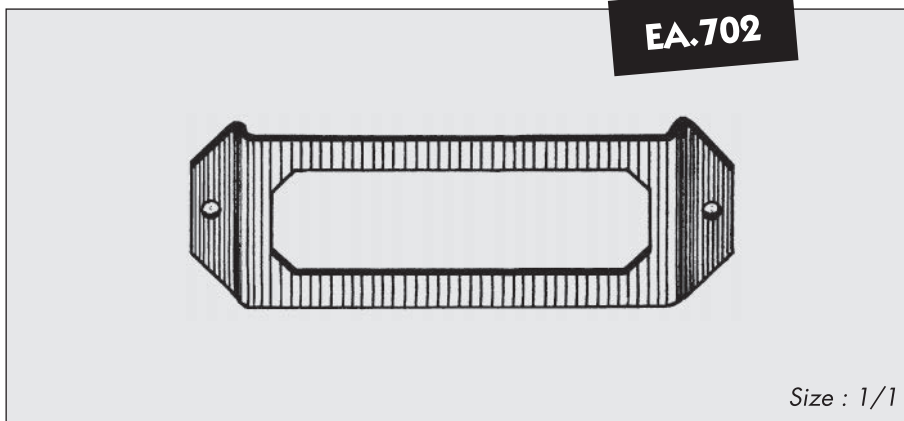


DOCUMENT HOLDER OF 70X22


MATERIAL FINISH	FIXING	REFERENCES
Steel raw	with holes	EA.702-BR
Steel raw	without hole	EA.702A-BR
Steel white zinc plated	with holes	EA.702-ZI*
Steel yellow zinc plated	with holes	EA.702-ZB*
St. steel A2 raw	with holes	EA.702-IB*
 kg/100		0,450

Description :

- Metal of 6/10th, openwork of 50 x 14,
- drilling : 2 holes \varnothing 2,2 mm.

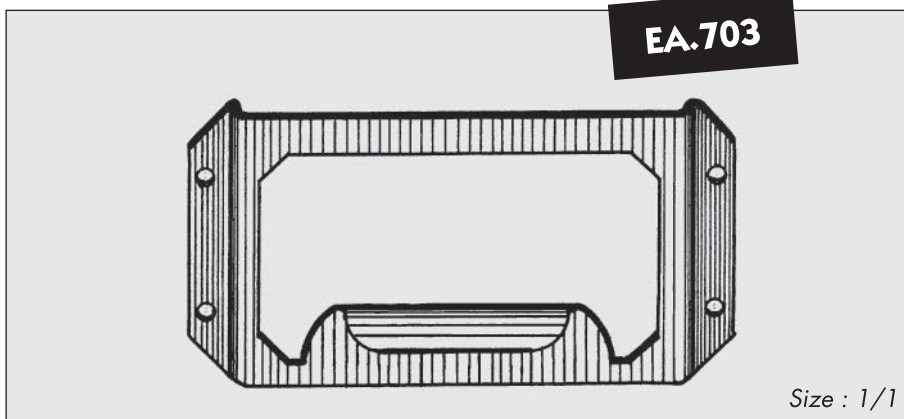


DOCUMENT HOLDER OF 72X35

MATERIAL FINISH	FIXING	REFERENCES
Steel raw	with holes	EA.703-BR
Steel raw	without hole	EA.703A-BR
Steel white zinc plated	with holes	EA.703-ZI*
Steel yellow zinc plated	with holes	EA.703-ZB*
St. steel A2 raw	with holes	EA.703-IB*
 kg/100		0,950

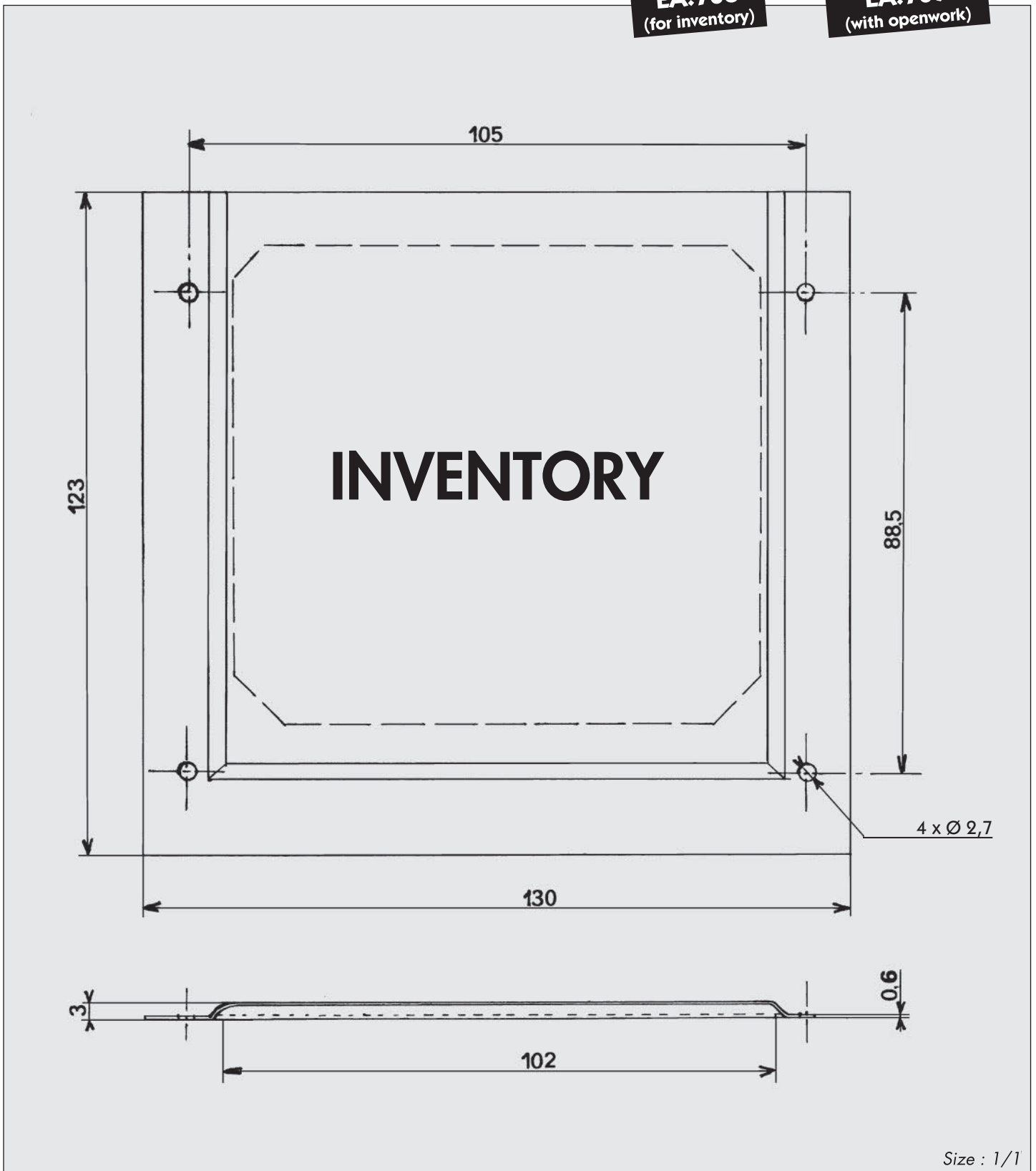
Description :

- Metal of 6/10th, openwork of 53 x 26,
- drilling : 4 holes \varnothing 2,2 mm.



EA.708
(for inventory)

EA.709
(with openwork)



Size : 1/1

MATERIAL	FINISH	FIXING	kg/100	REFERENCES	kg/100	REFERENCES
Steel	white zinc plated	with holes	7,750	EA.708-ZI	3,700	EA.709-ZI
Steel	yellow zinc plated	with holes	7,750	EA.708-ZB*	3,700	EA.709-ZB*
St. steel A2	raw	with holes	7,750	EA.708-IB*	3,700	EA.709-IB*

Size : 1/1

EG.704



DOCUMENT HOLDER OF 108X83		
MATERIAL FINISH	FIXING	REFERENCES
Steel raw St. steel A2 raw	without hole without hole	EG.704A-BR* EG.704A-IB*
kg/100		3,000

Description :

- Metal of 6/10th.

Size : 1/1

EG.705



DOCUMENT HOLDER OF 83X30		
MATERIAL FINISH	FIXING	REFERENCES
Steel raw St. steel A2 raw	without hole without hole	EG.705A-BR* EG.705A-IB*
kg/100		0,950

Description :

- Metal of 6/10th.

Size : 1/1

EG.706



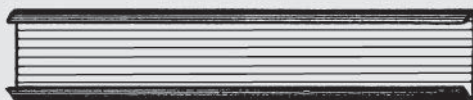
DOCUMENT HOLDER OF 155X20		
MATERIAL FINISH	FIXING	REFERENCES
Steel raw St. steel A2 raw	without hole without hole	EG.706A-BR* EG.706A-IB*
kg/100		1,460

Description :

- Metal of 6/10th.

Size : 1/1

EG.707



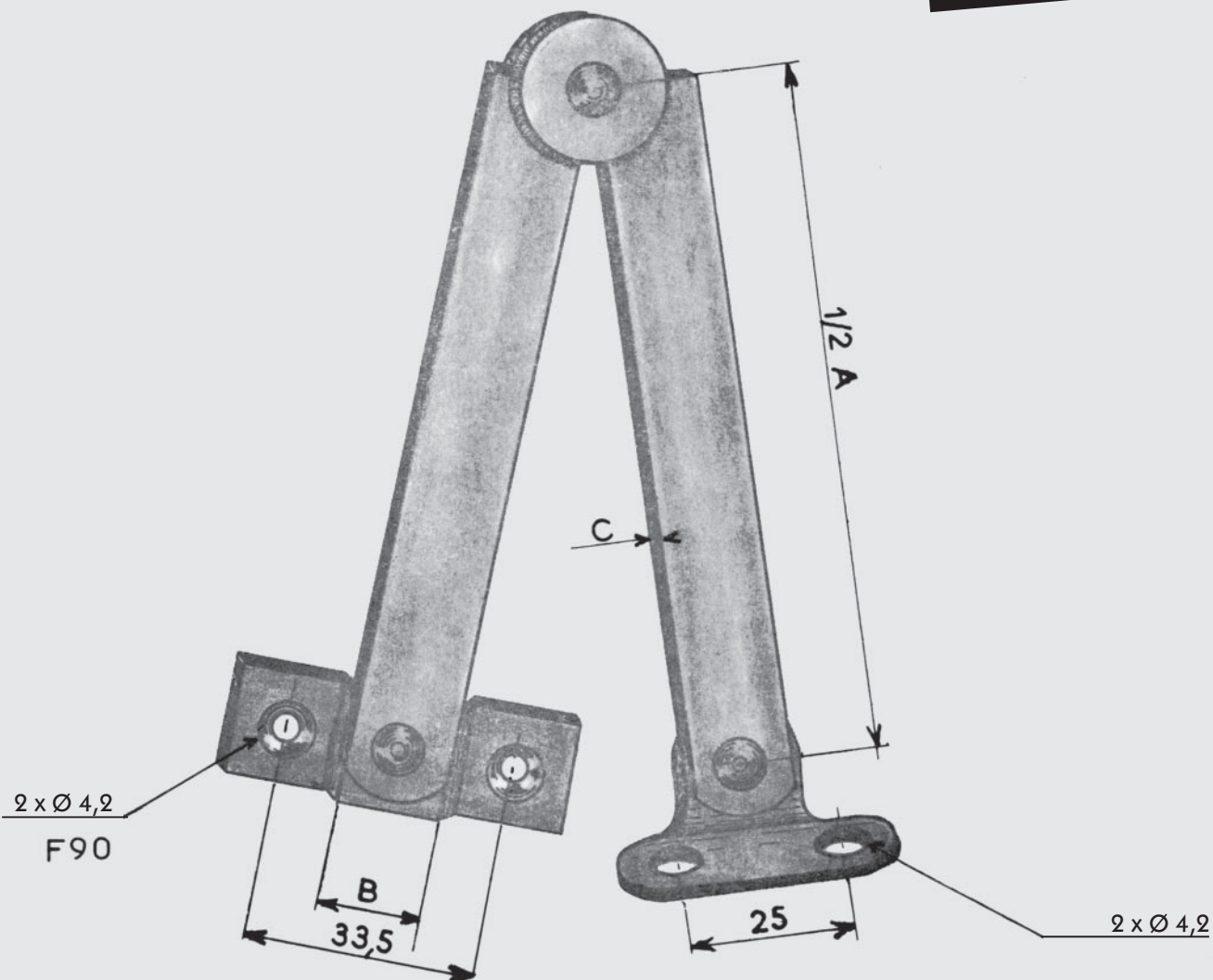
DOCUMENT HOLDER OF 60X12		
MATERIAL FINISH	FIXING	REFERENCES
Steel raw St. steel A2 raw	without hole without hole	EG.707A-BR* EG.707A-IB*
kg/100		0,550

Description :

- Metal of 6/10th.

Other dimensions on request

BA.800 à 811

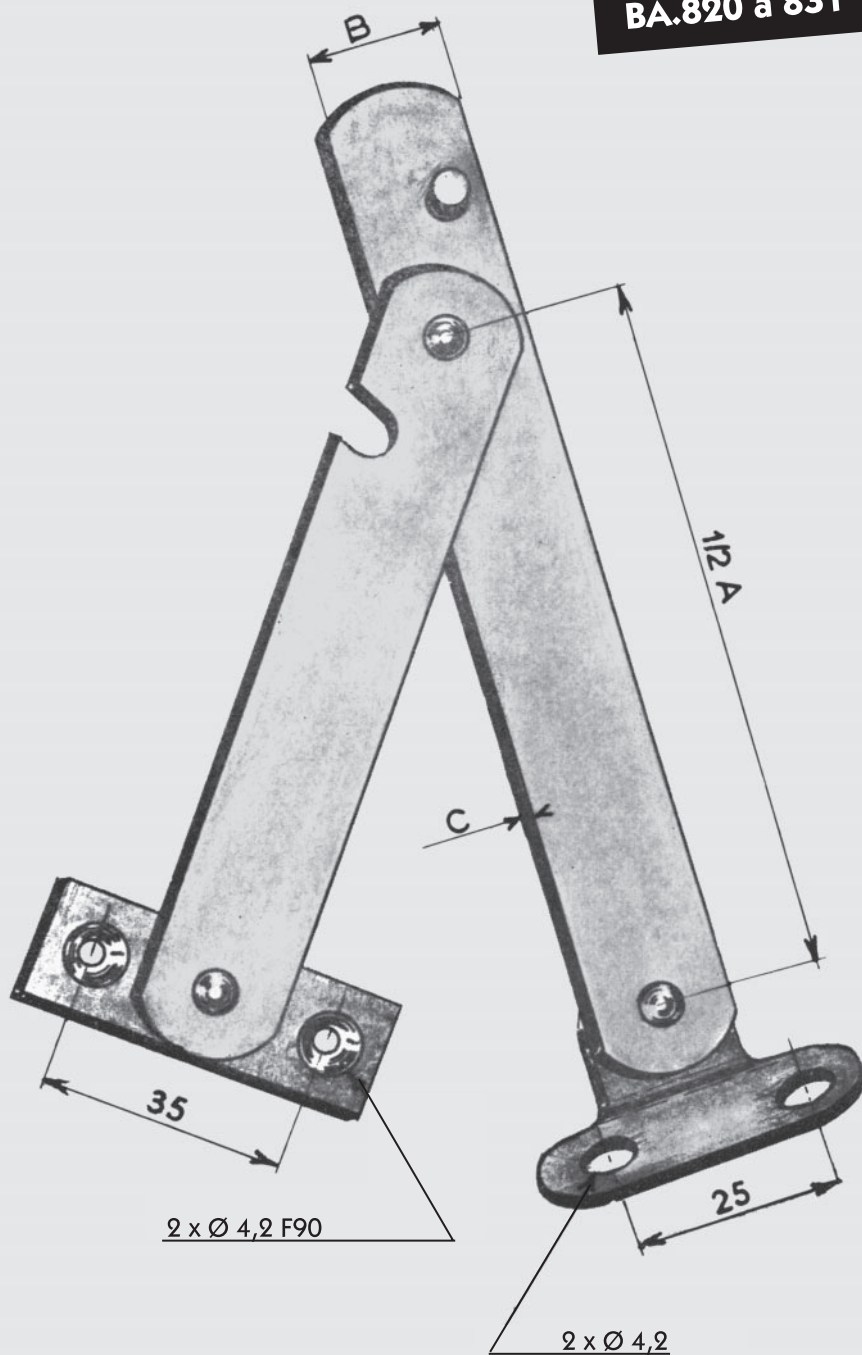


Drawing for left model



A / mm	B / mm	G / mm	MATERIAL	REFERENCES		FINISH			
				"RIGHT"	"LEFT"	Steel white zinc plated	Nickel plated steel	Brass plated steel	Brass polished plated steel
175	14	2,5	Steel	BA.800*	BA.801*	ZI	NI	LA	LP
200	14	2,5	Steel	BA.802*	BA.803*	ZI	NI	LA	LP
225	14	2,5	Steel	BA.804*	BA.805*	ZI	NI	LA	LP
250	14	2,5	Steel	BA.806*	BA.807*	ZI	NI	LA	LP
275	14	2,5	Steel	BA.808*	BA.809*	ZI	NI	LA	LP
300	14	2,5	Steel	BA.810*	BA.811*	ZI	NI	LA	LP

BA.820 à 831

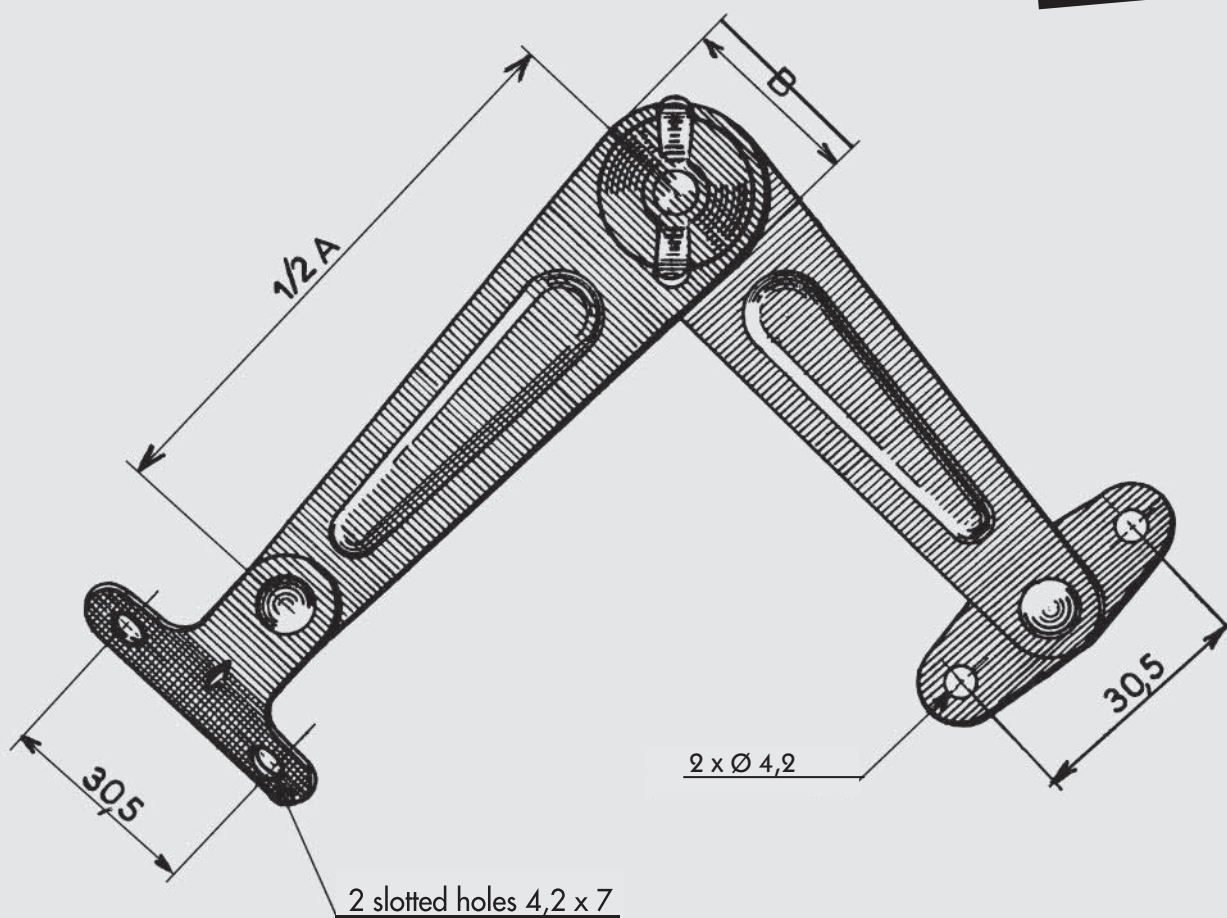


Drawing for left model

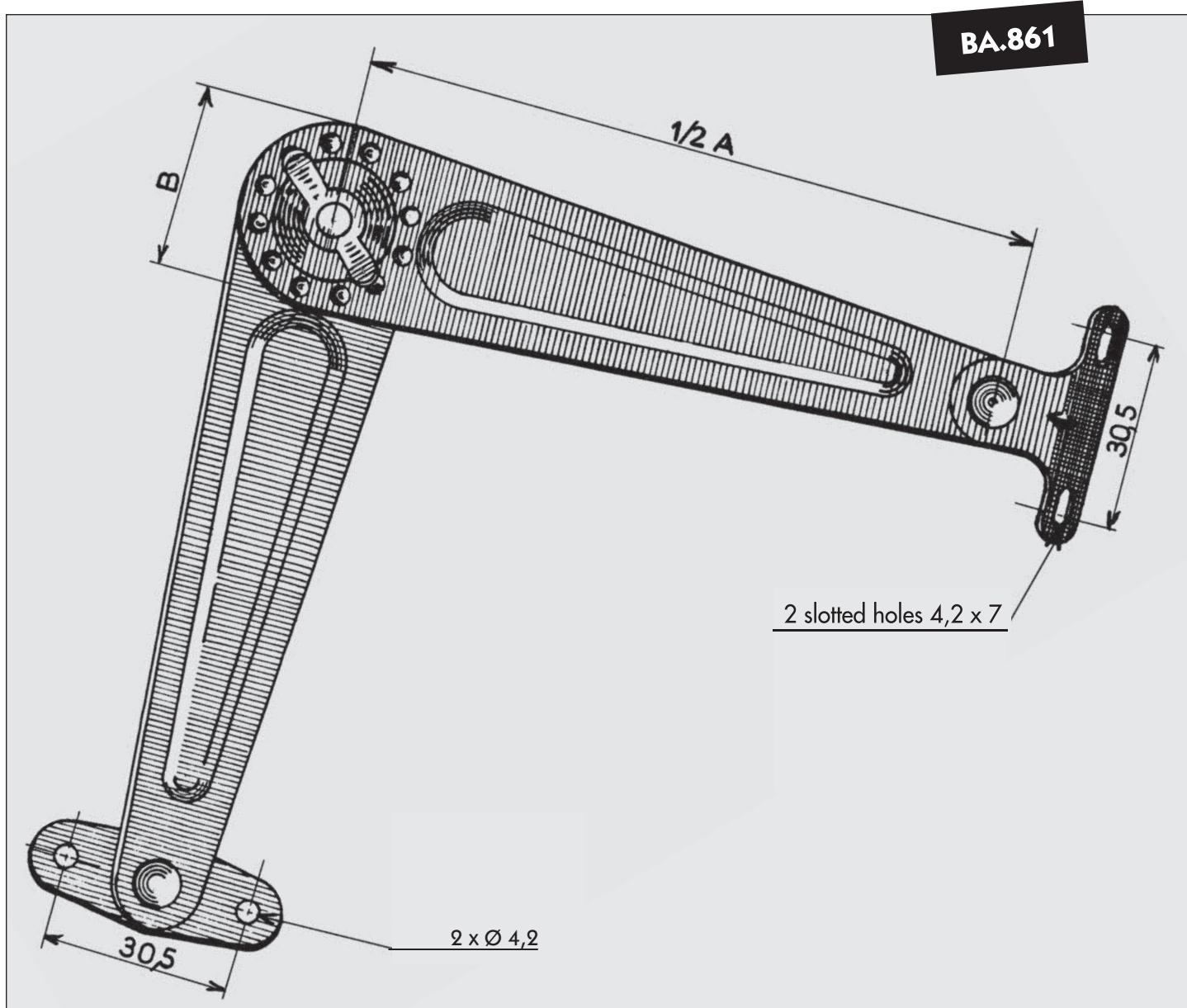


A	B	G	MATERIAL	FINISH	kg/100	REFERENCES	
						"LEFT"	"RIGHT"
200	20	2	Steel	white zinc plated	11,000	BA.820-ZI*	BA.821-ZI*
250	20	2	Steel	white zinc plated	12,500	BA.822-ZI*	BA.823-ZI*
300	20	2	Steel	white zinc plated	13,700	BA.824-ZI*	BA.825-ZI*
350	20	2,5	Steel	white zinc plated	18,500	BA.826-ZI*	BA.827-ZI*
400	20	2,5	Steel	white zinc plated	20,500	BA.828-ZI*	BA.829-ZI*
450	20	2,5	Steel	white zinc plated	22,500	BA.830-ZI*	BA.831-ZI*

BA.850 et 851

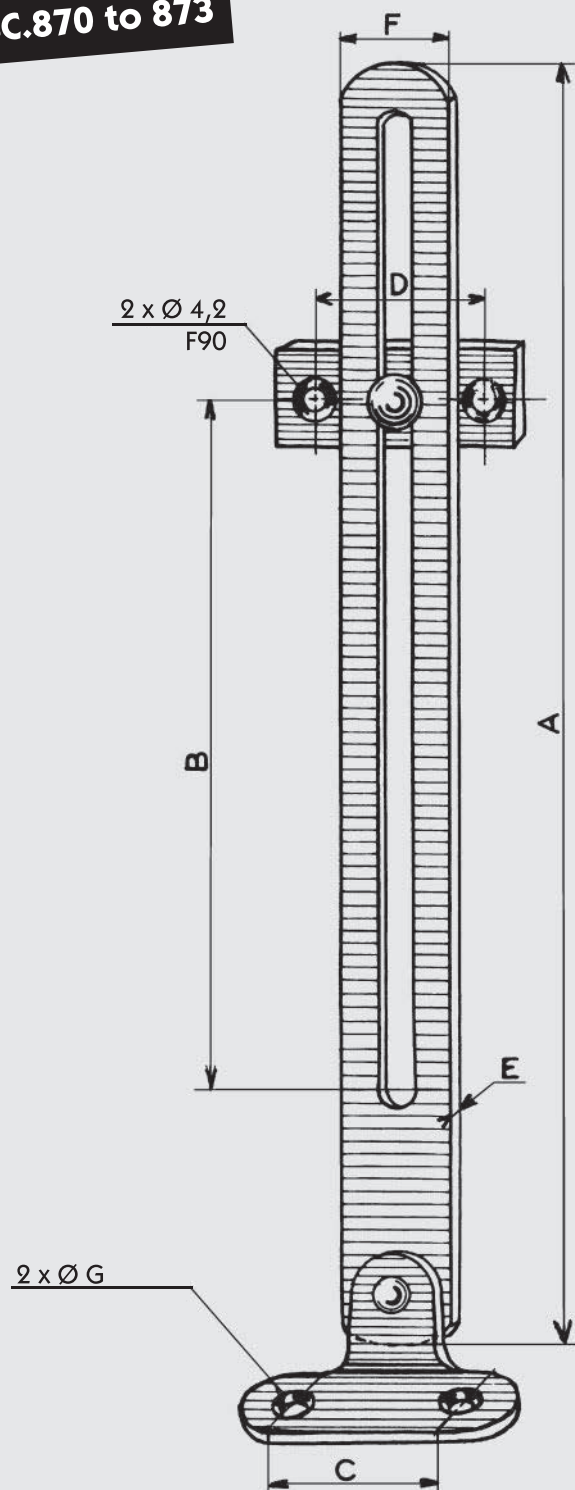


A	B	MATERIAL	FINISH	kg/100	REFERENCES
150	24,5	Steel	white zinc plated	6,100	BA.850-ZI*
150	24,5	St. steel A2	raw	6,100	BA.850-IB*
220	30	Steel	white zinc plated	7,900	BA.851-ZI*
220	30	St. steel A2	raw	7,900	BA.851-IB*



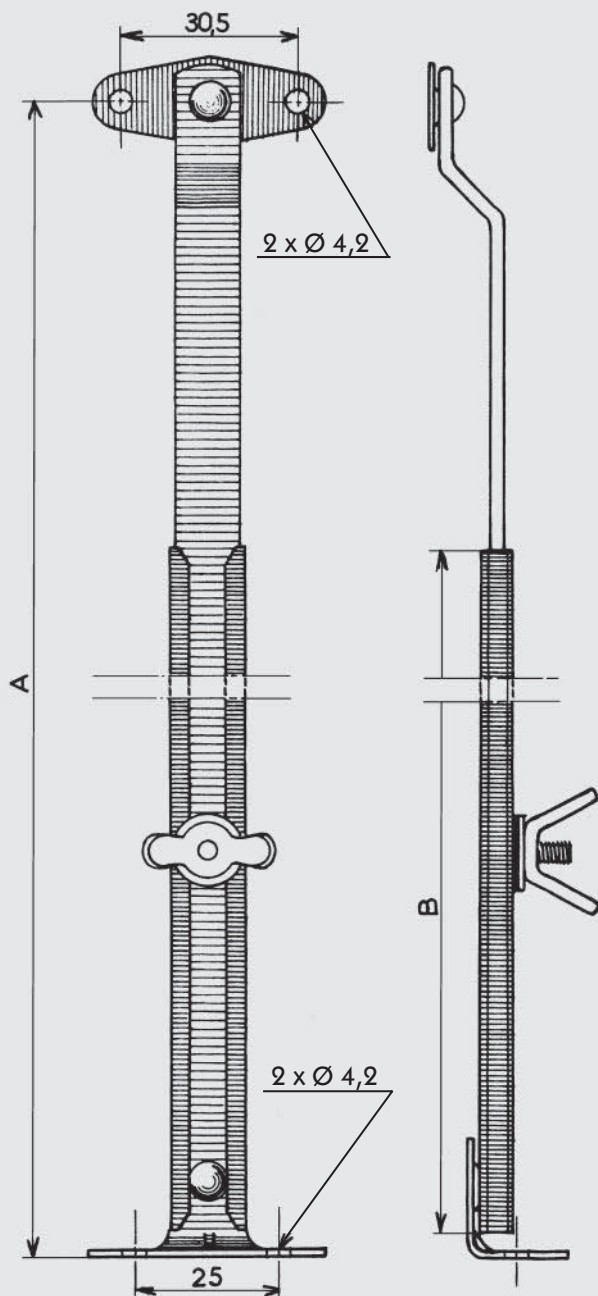
A	B	MATERIAL	FINISH	kg/100	REFERENCES
220	30	Steel	white zinc plated	8,900	BA.861-ZI*
220	30	St. steel A2	raw	8,900	BA.861-IB*


BC.870 to 873



A	B maxi	C	D	E	F	G	kg/100	STEEL WHITE ZINC PLATED	NICKEL PLATED STEEL	BRASS PLATED STEEL	BRASS POLISHED PLATED STEEL
140	113	19	24,5	1,5	15	3,5	3,500	BC.870-ZI*	BC.870-NI*	BC.870-LA*	BC.870-LP*
200	149	24,5	24,5	2	17	4,2	5,700	BC.871-ZI*	BC.871-NI*	BC.871-LA*	BC.871-LP*
250	191	24,5	33	2	20	4,2	8,700	BC.872-ZI*	BC.872-NI*	BC.872-LA*	BC.872-LP*
300	241	24,5	33	2,5	20	4,2	12,100	BC.873-ZI*	BC.873-NI*	BC.873-LA*	BC.873-LP*

BA.880 to 881



A mini	A maxi	B	MATERIAL	FINISH	 kg/100	REFERENCES
207	342	175	Steel	white zinc plated	10,500	BC.880-ZI*
207	342	175	St. steel A2	raw	10,500	BC.880-IB*
252	387	220	Steel	white zinc plated	13,200	BC.881-ZI*
252	387	220	St. steel A2	raw	13,200	BC.881-IB*

The **Savigny** company realizes, as part of the stamping cutting of thin steel sheets, studies of specific products. These studies are made for internal manufacturing, and in this context all phases of design, prototyping, testing, tooling and process are used.

These specific products represent 50% of the company's activity.

The business sectors of our main customers are :

Automotive, air conditioning, packaging, electronics, medical, armies and many other industries.

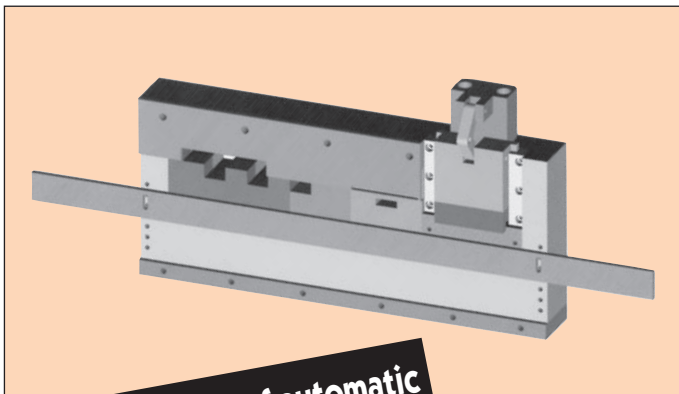
Our experience is rich of realized and functional projects.

Our studies are developed using an HP network workstation with C.A.O. / D.A.O. SOLIDWORKS software.

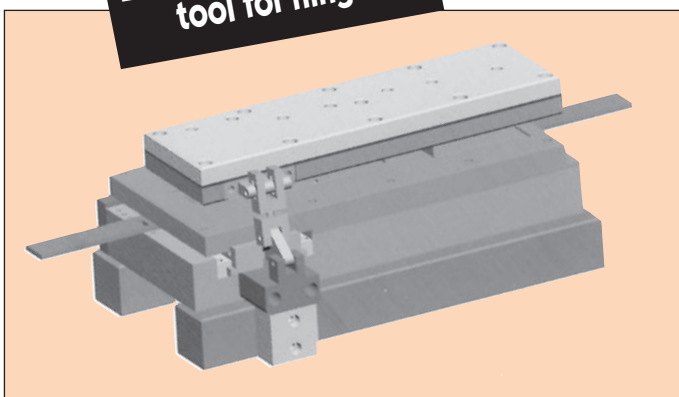
Native Windows whose main features are :

- Creation of parts in volume.
 - Automatic calculation of the starting blank (sheet metal module: unfolding / folding).
 - Assembly creation for simulation of operation.
 - Automatic creation of drawings.
 - Import / Export of all data in C.A.O. / D.A.O. files existing :
 - **IGES** (3D, volume) • **DXF** (2D, drawings) • **Parasolid** (own to SOLIDWORKS) • **DWG** ...
- Full compatibility with other design logociles: Pro-Engineer, Autocad, Catia, etc ...
F.A.O. Software - Simulation of Surfcam software machining.

THE TOOLS



Example of automatic tool for hinges

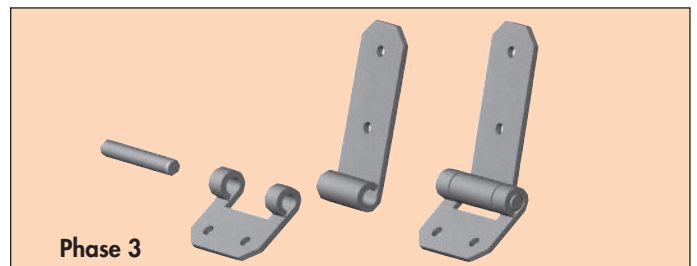
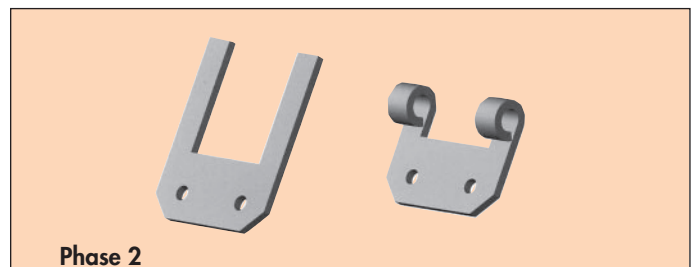
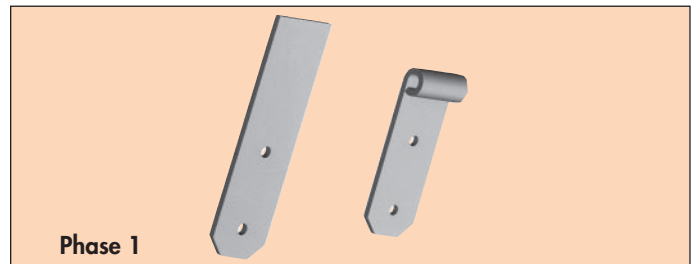


The study and realization of a tool must take into account the final characteristics of the piece.

The cycle, the number of parts and the lifetime are also taken into account. This is the main phase of Final Quality.

Our tools are manufactured in house.

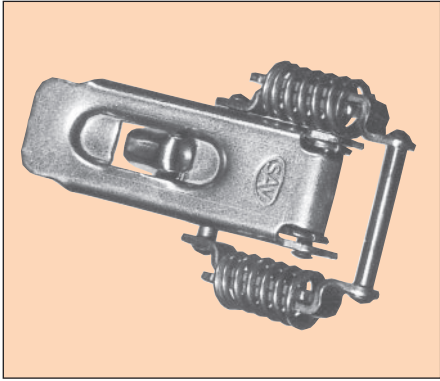
THE PROCESS



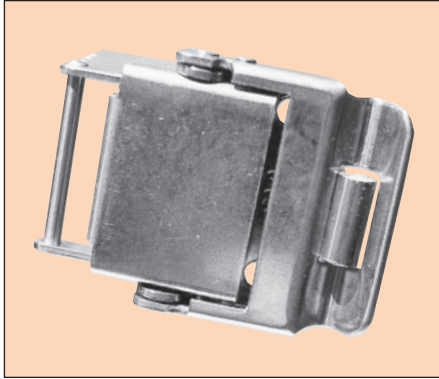
The process links tooling and manufacturing.

It determines the follow-up of the development of the part with the various control steps in the ISO 9001 normative framework.

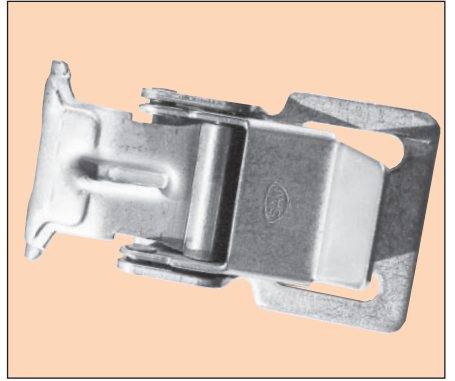
products examples



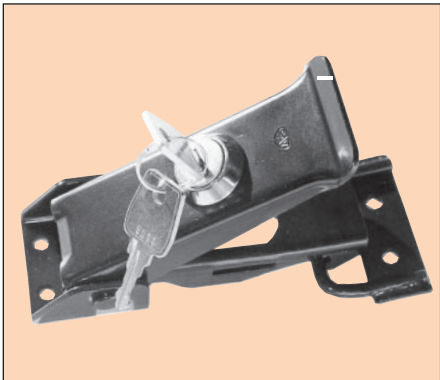
Mini toggle latch with integral safety lock



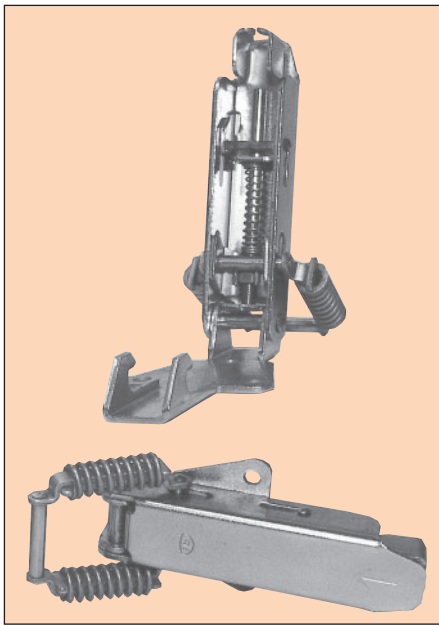
Large flat spring loaded toggle latch



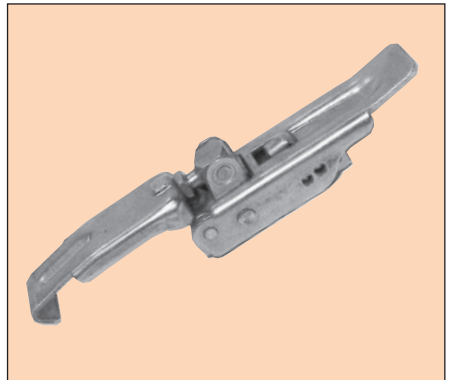
Elastic toggle latch with tolerance position



Cataphoresis key lock toggle latch



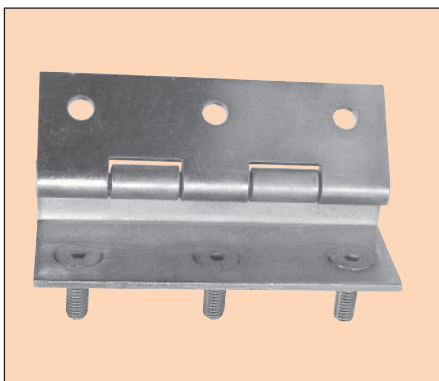
Spring loaded and adjustable toggle latch with integral safety lock



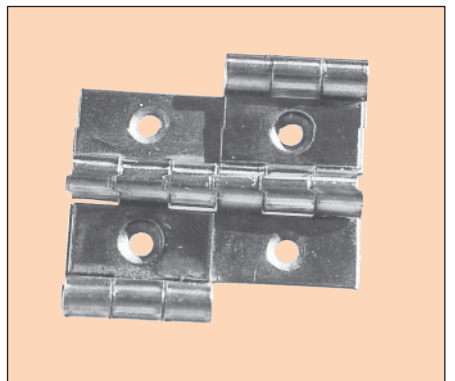
Adjustable toggle latch with long catch



Invisible cranked hinge

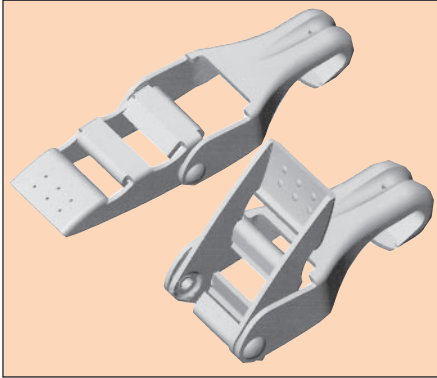


Strong hinge with screws

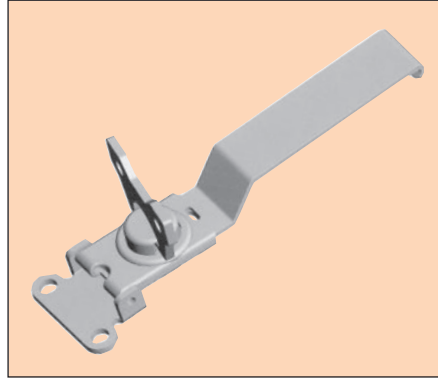


specific hinge

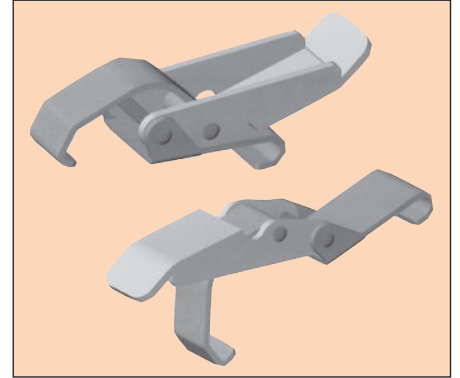
3D computer conception



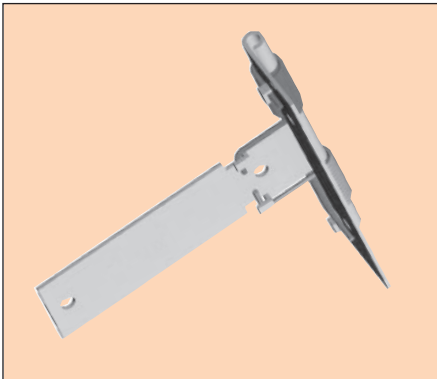
Latch for automotive



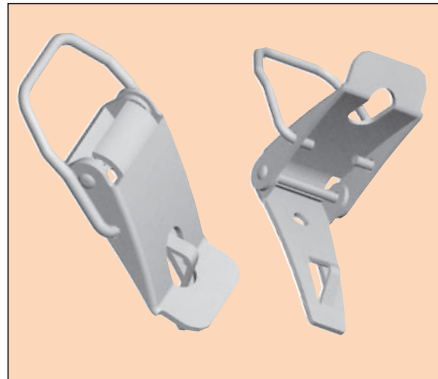
Long catch for rotary toggle latch



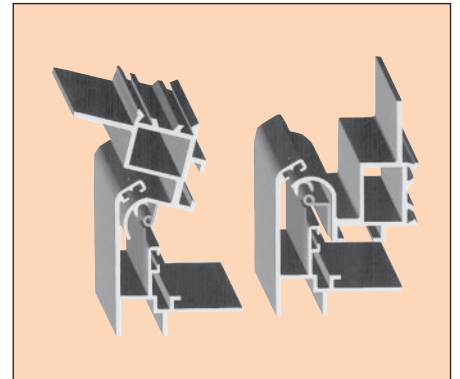
Elastic toggle latch



Spring loaded hinge



Specific toggle latch

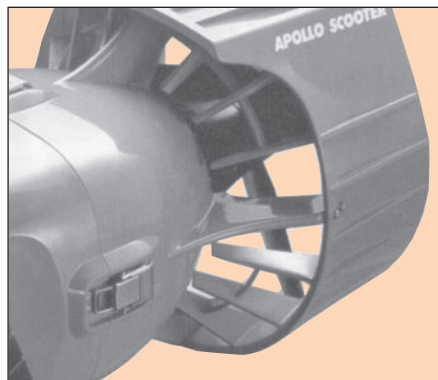


Hinges for aluminium profiles

Using examples



Toggle latches / Hinges



Toggle Latches



Tensioner for safety strap

Reference	Page N°	Reference	Page N°	Reference	Page N°	Reference	Page N°				
Prefix	N°	Prefix	N°	Prefix	N°	Prefix	N°				
AA	9101	B2/00	AC	177	B1/150	CC	432	C2/50	CP	1315030065	C1/10
AA	9103	B2/00	AC	178	B1/150	CC	433	C2/50	CP	1315030080	C1/10
AA	9112	B2/00	AC	179	B1/160	CC	434	C2/55	CP	1315030120	C1/10
AA	9121	B2/00	AC	181	B1/160	CC	439	C4/10	CP	1315030200	C1/10
AA	9122	B2/00	AC	235	B1/170	CC	443	C2/60	CP	1315030240	C1/10
AA	9132	B2/00	AC	236	B1/170	CC	444	C2/70	CP	1506025020	C1/20
AA	9140	B2/00	AC	239	B1/170	CC	445	C2/70	CP	1506025025	C1/20
AA	9142	B2/00	AC	1113	B1/160	CC	446	C2/70	CP	1506025030	C1/20
AA	9143	B2/00	AC	1160	B1/160	CC	447	C2/40	CP	1507024020	C1/10 - C1/20
AA	9144	B2/00	AG	9002	A6/00	CC	448	C2/40	CP	1507024025	C1/10 - C1/20
AA	9145	B2/00	AG	9010	A6/00	CC	449	C2/40	CP	1507024030	C1/10 - C1/20
AA	9153	B2/00	AG	9022	A6/00	CC	470	C4/10	CP	1608030035	C1/10 - C1/20
AA	9156	B2/10	AG	9030	A6/00	CC	473	C6/10	CP	1608030040	C1/10 - C1/20
AA	9159	B2/10	AG	9031	A6/00	CC	474	C3/10	CP	1610027020	C1/10
AA	9160	B2/10	AG	9040	A6/00	CC	480	C12/30	CP	1610027025	C1/10
AC	101	B1/10	AG	9044	A6/00	CC	483	C3/10	CP	1610027030	C1/10
AC	102	B1/10	AG	9051	A6/00	CC	485	C3/20	CP	1610027035	C1/10 - C1/20
AC	103	B1/10	AG	9061	A6/00	CC	487	C3/20	CP	1610027040	C1/10 - C1/20
AC	104	B1/10	AP	9300	F5/00	CC	490	C3/30	CP	1610027050	C1/10 - C1/20
AC	105	B1/10	AP	9304	F5/00	CC	1422	C6/10	CP	2010030020	C1/20
AC	106	B1/10	AP	9309	F5/00	CC	1474	C6/20	CP	2010030025	C1/20
AC	107	B1/10	AP	9318	F5/00	CC	1475	C6/20	CP	2010030030	C1/20
AC	108	B1/10	AP	9351	F5/00	CC	1476	C6/20	CP	2012030040	C1/10 - C1/20
AC	109	B1/10	AP	9398	F5/00	CD	400	C8/10	CP	2012030050	C1/10 - C1/20
AC	110	B1/20	ATR	GA1	D6/10	CD	401	C8/10	CP	2012030060	C1/10 - C1/20
AC	111	B1/20	ATR	GT1	D6/10	CD	403	C8/10	CP	2515050030	C1/10
AC	112	B1/20	ATR	PL1	D6/10	CF	450	C10/10	CP	2515050040	C1/10
AC	113	B1/20	AZ	299	A3/20	CF	451	C10/10	CP	2515050050	C1/10
AC	114	B1/20	BA	800	G6/10	CF	452	C10/10	CP	2515050070	C1/20
AC	115	B1/20	BA	801	G6/10	CF	453	C10/10	CP	3015040040	C1/10 - C1/20
AC	116	B1/30	BA	802	G6/10	CF	454	C10/10	CP	3015040050	C1/10 - C1/20
AC	117	B1/30	BA	803	G6/10	CF	456	C10/10	CP	3015040060	C1/10 - C1/20
AC	118	B1/30	BA	804	G6/10	CF	460	C10/10	CP	3020060040	C1/10 - C1/20
AC	119	B1/30	BA	805	G6/10	CFS	45	C10/10	CP	3020060050	C1/10 - C1/20
AC	120	B1/30	BA	806	G6/10	CFS	60	C10/10	CP	3020060060	C1/10 - C1/20
AC	121	B1/30	BA	807	G6/10	CFS	80	C10/10	CP	3020060070	C1/10 - C1/20
AC	122	B1/30	BA	808	G6/10	CFS	100	C10/10	CP	3020060080	C1/10 - C1/20
AC	123	B1/40	BA	809	G6/10	CFS	120	C10/10	CP	4020080080	C1/10
AC	124	B1/40	BA	810	G6/10	CFS	140	C10/10	CP	4025080050	C1/10
AC	125	B1/40	BA	811	G6/10	CFS	160	C10/10	CP	4025080060	C1/10
AC	126	B1/40	BA	820	G6/20	CFS	180	C10/10	CP	4025080070	C1/10
AC	127	B1/40	BA	821	G6/20	CFS	200	C10/10	CP	4025080080	C1/10
AC	128	B1/40	BA	822	G6/20	Specific hinges	C12/20 - C12/30	CP	4030100100	C1/10 - C1/20	
AC	129	B1/50	BA	823	G6/20	CI	30	C9/10	CP	4030100140	C1/10 - C1/20
AC	130	B1/50	BA	824	G6/20	CI	60	C9/20	CP	5030100075	C1/10
AC	131	B1/50	BA	825	G6/20	CI	90	C9/20	CP	5025050	C1/10
AC	132	B1/50	BA	826	G6/20	CI	466	C9/10	CP	5030050	C1/10
AC	133	B1/50	BA	827	G6/20	CL	418	C5/10	CP	5030060	C1/10
AC	134	B1/60	BA	828	G6/20	CL	419	C5/10	CPL	4030100140	C1/20
AC	135	B1/60	BA	829	G6/20	CL	420	C5/10	CX	421	C11/10
AC	136	B1/60	BA	830	G6/20	CL	428	C5/40	CX	426	C11/10
AC	137	B1/60	BA	831	G6/20	CL	429	C5/40	CX	455	C11/20
AC	138	B1/60	BA	850	G6/30	CL	430	C5/50	CX	472	C11/20
AC	139	B1/70	BA	851	G6/30	CL	431	C5/50	EA	700	G5/10
AC	140	B1/70	BA	861	G6/40	CL	436	C5/30	EA	701	G5/10
AC	141	B1/70	BC	870	G6/50	CL	437	C5/30	EA	702	G5/10
AC	142	B1/70	BC	871	G6/50	CL	438	C5/10	EA	703	G5/10
AC	143	B1/70	BC	872	G6/50	CL	440	C5/20	EA	708	G5/20
AC	144	B1/80	BC	873	G6/50	CL	441	C5/20	EA	709	G5/20
AC	145	B1/80	BC	880	G6/60	CL	481	C5/60	EG	704	G5/30
AC	146	B1/80	BC	881	G6/60	CL	482	C5/60	EG	705	G5/30
AC	147	B1/80	BP	5,5x8	E1/10	CL	488	C5/70	EG	706	G5/30
AC	148	B1/80	BP	6x9	E1/10	CL	489	C5/70	EG	707	G5/30
AC	149	B1/90	BP	6,5x9,5	E1/10	CM	25	C13/10	GE	4	A2/10
AC	150	B1/90	BP	9x11,4	E1/10	CM	30	C13/10	GE	5	A2/20
AC	151	B1/90	BP	9x13,5	E1/10	CM	40	C13/10	GE	11	A2/30
AC	152	B1/90	BP	10x14,5	E1/10	CM	50	C13/10	GE	14	A2/30
AC	153	B1/90	CA	408	C7/10	CM	60	C13/10	GE	18	A2/40
AC	154	B1/100	CA	417	C7/10	CM	5063	C13/30	GE	25	A2/50
AC	155	B1/100	CA	427	C7/10	CM	5076	C13/30	GE	35	A2/60
AC	156	B1/110	CAM2		D6/10	CM	6076	C13/30	GE	36	A2/70
AC	157	B1/110	CAM3	H	D6/10	CM	6090	C13/30	GE	37	A2/80
AC	158	B1/120	CC	404	C2/10	CM	60117	C13/30	GE	38	A2/80
AC	159	B1/120	CC	405	C2/20	CM	40G	C13/20	GE	40	A2/90
AC	160	B1/120	CC	406	C2/30	CM	5063G	C13/40	GE	41	A2/100
AC	161	B1/120	CC	407	C2/60	CM	5076G	C13/40	GE	44	A2/110
AC	162	B1/130	CC	409	C4/10	CM	50G	C13/20	GE	45	A2/120
AC	163	B1/130	CC	410	C12/20	CM	60117G	C13/40	GE	46	A2/110
AC	164	B1/130	CC	411	C4/10	CM	6076G	C13/40	GE	49	A2/130
AC	165	B1/130	CC	412	C4/10	CM	6090G	C13/40	GE	50	A2/140
AC	166	B1/130	CC	413	C2/70	CM	60G	C13/20	GE	51	A2/150
AC	167	B1/130	CC	414	C2/60	CP	1005016014	C1/20	GE	52	A2/150
AC	168	B1/130	CC	415	C2/70	CP	1005016018	C1/20	GE	60	A2/160
AC	169	B1/140	CC	416	C2/60	CP	1006015016	C1/10	GE	61	A2/170
AC	170	B1/140	CC	422	C3/20	CP	1006015020	C1/10	GE	65	A2/180
AC	171	B1/140	CC	423	C3/30	CP	1315030030	C1/10	GE	66	A2/190
AC	172	B1/140	CC	424	C3/30	CP	1315030040	C1/10	GE	67	A2/200
AC	173	B1/140	CC	425	C3/30	CP	1315030050	C1/10	GE	68	A2/200

INDEX



by references number

Reference	Page N°	Reference	Page N°	Reference	Page N°	Reference	Page N°				
Prefix	N°	Prefix	N°	Prefix	N°	Prefix	N°				
GE	70	A2/210	GO	3075	A1/200	PE	351	G1/10	30141	G3/20	
GE	82	A2/60	GP	2	A3/10	PE	352	G1/20	30142	G3/20	
GE	83	A2/130	GP	2-H	A3/20	PE	353	G1/30	30143	G3/20	
GE	84	A2/220	GP	8	A3/10	PE	354	G1/30	30144	G3/20	
GE	85	A2/230	GP	9	A3/30	PE	370	G3/10	SV	90	A4/90
GE	86	A2/60	GP	10	A3/40	PE	371	G3/10	TR	800	D6/10
GE	87	A2/70	GP	12	A3/50	PE	372	G3/10	TR	P-800	D6/10
GE	91	A2/240	GP	30200	A3/255	PE	373	G3/10	TR	PG-800	D6/10
GE	92	A2/140	GP	13	A3/40	PE	374	G3/10	VB	8517	D4/10
GE	93	A2/130	GP	15	A3/60	PE	377	G3/10	VC	4428	D4/10
GE	100	A2/170	GP	16	A3/70	PE	378	G3/10	VC	6428	D4/10
GE	124	A2/460	GP	19	A3/80	PE	27968	G1/20	VC	CL6428	D4/10
GE	551	A2/460	GP	20	A3/90		29427	G1/20	VE	CA6-H18	D1/10
GE	570	A2/250	GP	22	A3/100		29882	G1/20	VE	CA6-H30	D1/10
GE	571	A2/260	GP	23	A3/100	PEC	3693	F4/10	VE	CA7F-H18	D1/10
GE	572	A2/270	GP	27	A3/110	PEC	4094	F4/10	VE	CA7F-H30	D1/10
GE	573	A2/280	GP	28	A3/110	PEC	57110	F4/10	VE	CA7-H18	D1/10
GE	574	A2/290	GP	29	A3/120	PEC	60120	F4/20	VE	CA7-H30	D1/10
GE	575	A2/300	GP	30	A3/130	PEC	74110	F4/20	VE	CA8F-H18	D1/10
GE	576	A2/310	GP	31	A3/140	PO	300	F1/10	VE	CA8F-H30	D1/10
GE	577	A2/310	GP	42	A3/150	PO	301	F1/20	VE	CA8-H18	D1/10
GE	1000	A2/320	GP	43	A3/150	PO	304	F1/30	VE	CA8-H30	D1/10
GE	1001	A2/330	GP	47	A3/160	PO	306	F1/40	VE	CAB-H18	D1/10
GE	1002	A2/320	GP	48	A3/170	PO	307	F1/50	VE	CAB-H30	D1/10
GE	1003	A2/340	GP	69	A3/180	PO	308	F1/60	VE	CATH18	D1/10
GE	1006	A2/350	GP	75	A3/120	PO	309	F1/60	VE	CAT-H30	D1/10
GE	1008	A2/40	GP	94	A3/130	PO	310	F1/60	VE	CL1333-H18	D1/30
GE	1018	A2/360	GP	95	A3/140	PO	314	F1/70	VE	CL2233-H30	D1/30
GE	1025	A2/370	GP	538	A3/190	PO	318	F1/80	VE	CL405-H30	D1/30
GE	1036	A2/70	GP	539	A3/200	PO	320	F1/90	VE	H10-H18	D1/10
GE	1040	A2/380	GP	544	A3/200	PO	321	F1/100	VE	H10-H30	D1/10
GE	1041	A2/380	GP	1030	A3/130	PO	333	F1/110	VE	H6-H18	D1/10
GE	1060	A2/400	GP	1031	A3/140	PO	334	F1/110	VE	H6-H30	D1/10
GE	1061	A2/410	GP	1047	A3/210	PO	1304	F1/120	VE	PA1242E-H18	D1/40
GE	1085	A2/420	GP	1048	A3/220	PR	302	F2/10	VE	PA1333-H18	D1/40
GE	1091	A2/430	GP	1075	A3/230	PR	303	F2/20	VE	PA2233-H18	D1/40
GE	4012	A2/455	GP	1076	A3/230	PR	305	F2/30	VE	PA-H18	D1/40
GE	1092	A2/140	GP	2012	A3/50	PR	311	F2/40	VE	PA-H30	D1/40
GE	2008	A2/340	GP	2013	A3/240	PR	312	F2/40	VE	T3-H18	D1/10
GE	2018	A2/450	GP	2029	A3/250	PR	315	F2/50	VE	T3-H30	D1/10
GE	2025	A2/50	GP	2030	A3/130	PR	316	F2/50	VE	T5-H18	D1/10
GE	2028	A2/450	GP	2075	A3/250	PR	322	F2/60	VE	T5-H30	D1/10
GE	2036	A2/70	GP	2094	A3/130	PR	326	F2/70	VE	TOF-H18	D1/10
GE	2041	A2/390	GP	3010	A3/40	PR	327	F2/70	VE	TOF-H30	D1/10
GE	2085	A2/440	GP	3012	A3/50	PR	1305	F1/120	VE	TO-H18	D1/10
GE	2086	A2/440	GR	53	A4/10	PR	1311	F2/80	VE	TO-H30	D1/10
GE	2087	A2/70	GR	54	A4/20	PR	1312	F2/80	VE	TR10-H18	D1/10
GE	2091	A2/430	GR	55	A4/30	PS	95	D5/10	VE	TR10-H30	D1/10
GO	6	A1/10	GR	57	A4/50	PS	CL1333-50	D5/10	VE	TR6-H18	D1/10
GO	7	A1/10	GR	58	A4/60	PS	PC-105	D5/10	VE	TR6-H30	D1/10
GO	17	A1/20	GR	59	A4/70	PS	CYTR7-50	D5/10	VE	TR7-H18	D1/10
GO	24	A1/30	GR	62	A4/40	PS	CY1242-50	D5/10	VE	TR7-H30	D1/10
GO	26	A1/30	GR	63	A4/40	PT	92	F3/90	VE	TR8-H18	D1/10
GO	32	A1/40	GR	76	A4/10	PT	921	F3/80	VE	TR8-H30	D1/10
GO	33	A1/50	GR	77	A4/20	PT	117	F3/80	VEC	CA8-H32	D1/20
GO	34	A1/60	GR	78	A4/60	PT	120	F3/90	VEC	TR7-H32	D1/20
GO	39	A1/70	GR	88	A4/30	PT	122	F3/100	VEC	TR8-32	D1/20
GO	56	A1/80	GR	89	A4/90	PT	150	F3/90	VEP	CA8-H30	D1/20
GO	71	A1/100	GR	96	A4/50	PX	392	F3/10	VEP	CL1333-H20	D1/20
GO	73	A1/60	GR	98	A4/80	PX	395	F3/20	VEP	CL2233-H20	D1/20
GO	74	A1/100	GR	99	A4/80	PX	396	F3/30	VEP	CLDP205-H20	D1/20
GO	79	A1/40	GR	1027	A4/95	PX	397	F3/40	VEP	PA-H18	D1/20
GO	80	A1/50	GR	1055	A4/30	PX	398	F3/50	VEP	TE5-H18	D1/20
GO	81	A1/100	GR	1057	A4/50	PX	399	F3/60	VEL	CA8-H18	D1/40
GO	533	A1/110	GR	1063	A4/40	PX	1397	F3/70	VEL	CL1333-H18	D1/40
GO	534	A1/120	GR	2003	A4/100	RCF	604	G4/10	VEL	H18	D1/40
GO	535	A1/130	GR	2004	A4/110	RCF	605	G4/10	VEL	H30	D1/40
GO	536	A1/140	GR	2055	A4/30	RCF	606	G4/10	VEL	PC-H18	D1/40
GO	537	A1/150	GR	2062	A4/120	RE	600	G2/10	VET	CL1333-H18	D1/40
GO	541	A1/140	GR	2063	A4/120	RE	601	G2/10	VET	CL1333-H30	D1/40
GO	543	A1/150	GR	2064	A4/120	RE	602	G2/10	VET	H18	D1/40
GO	560	A1/160	GR	2088	A4/30	RE	603	G2/10	VET	H30	D1/40
GO	561	A1/160	GT	64	A5/10	RE	620	G2/20	VT	120	D3/10
GO	562	A1/170	GT	1064	A5/20	RE	621	G2/20	VT	CL1333-120	D3/10
GO	563	A1/170	JA	10x3	E1/10	RE	622	G2/20	VT	CL2233-120	D3/10
GO	564	A1/180	JA	10x5	E1/10	RE	623	G2/20	VT	84	D3/10
GO	565	A1/170	JA	15x3	E1/10	RE	624	G2/20	VT	84 CL2233	D3/10
GO	566	A1/170	JA	15x5	E1/10	RE	625	G2/20	VTT	120	D3/20
GO	1015	A1/190	JA	20x3	E1/10	RE	626	G2/20	VTT	CL2233-120	D3/20
GO	1032	A1/40	JA	20x5	E1/10	RE	627	G2/20			
GO	1033	A1/50	JE	8,4x15,6	E2/10	RE	650	G3/20			
GO	1034	A1/60	JE	11x21,5	E2/10	RE	651	G3/20			
GO	1056	A1/90	JE	11,3x24	E2/10	RE	652	G3/20			
GO	2032	A1/40	JE	12,7x27,5	E2/10	RE	653	G3/20			
GO	2034	A1/60	JE	16,3x13	E2/10	RE	656	G3/20			
GO	2073	A1/60	JE	20x13	E2/10		29142	G3/20			
GO	2079	A1/40	JE	26,5x17	E2/10		29711	G3/20			
GO	3029	A1/200	PE	350	G1/10		29810	G3/20			



Mulraney Components Limited

Wallows Road, Unit 10 Wallows Industrial Estate,
Brierley Hill, West Midlands DY5 1QB UK

Tel: +44 (0) 1384 881487

Email: info@mulraneycomponents.co.uk

www.mulraneycompnents.co.uk